



# HP PageWide P75050-60 series

User Guide

## **Copyright and License**

© 2017 Copyright HP Development Company, L.P.

All rights reserved. Reproduction, adaptation, or translation of this material is prohibited without prior written permission of HP, except as allowed under copyright laws.

The information contained in this document is subject to change without notice.

The only warranties for HP products and services are set forth in the express warranty statements accompanying such products and services. Nothing herein should be construed as constituting an additional warranty. HP shall not be liable for technical or editorial errors or omissions contained herein.

Edition 1, 5/2017

## **Trademark Credits**

Adobe®, Acrobat®, and PostScript® are either registered trademarks or trademarks of Adobe Systems Incorporated in the United States and/or other countries.

ENERGY STAR and the ENERGY STAR mark are registered trademarks owned by the U.S. Environmental Protection Agency.

Intel® Core™ is a trademark of Intel Corporation in the U.S. and other countries.

Java is the registered trademark of Oracle and/or its affiliates.

Microsoft and Windows are either registered trademarks or trademarks of Microsoft Corporation in the United States and/or other countries.

UNIX® is a registered trademark of The Open Group.

---

# Table of contents

<b>1 Get started</b> .....	<b>1</b>
Welcome .....	1
Product features .....	1
HP PageWide P75050-60 series .....	1
Tray capacity (75 gsm or 20-lb bond paper) .....	1
Print .....	2
Connectivity .....	2
Wireless .....	2
Optional accessories .....	2
Environmental features .....	3
Accessibility features .....	3
Product views .....	3
Front left view .....	4
Front right view .....	4
Back view .....	5
Cartridge and product numbers .....	5
Power on and off .....	6
Turn the product on and off .....	6
Manage power .....	7
Use the control panel .....	7
Control panel buttons .....	8
Control panel home screen .....	8
Control panel dashboard .....	9
Help features .....	10
Printer information .....	10
Help animations .....	10
<b>2 Connect the product</b> .....	<b>11</b>
Connect the product to a computer or a network .....	11
To connect the product using a USB cable .....	11
To connect the product to a network .....	12
Supported network protocols .....	12
Connect the product using a wired network .....	12
Connect the product using a wireless network (wireless models only) .....	13
To enable wireless capability on the product .....	13

To connect the product to a wireless network using the Wireless Setup Wizard .....	13
To connect the product to a wireless network using WPS .....	14
To connect the product to a wireless network manually .....	14
Use Wi-Fi Direct .....	15
To turn on Wi-Fi Direct .....	15
To print from a wireless-capable mobile device .....	16
To print from a wireless-capable computer (Windows) .....	16
To print from a wireless-capable computer (OS X) .....	16
Install HP printer software for a wireless product already on the network .....	17
Open the printer software (Windows) .....	17
Manage network settings .....	17
View or change network settings .....	18
Set or change the product password .....	18
Manually configure TCP/IP parameters from the control panel .....	18
Link speed and duplex settings .....	19
<b>3 Printer management and services .....</b>	<b>20</b>
HP Embedded Web Server .....	20
About the EWS .....	20
About cookies .....	20
Open the EWS .....	21
Features .....	21
Home tab .....	21
Print tab .....	22
HP JetAdvantage tab .....	22
Network tab .....	22
Tools tab .....	23
Settings tab .....	23
Product security features .....	24
Security statements .....	24
Firewall .....	24
Security settings .....	24
Firmware updates .....	25
HP Printer Assistant in the printer software (Windows) .....	25
Open the HP Printer Assistant .....	25
Features .....	25
Print tab .....	25
Shop tab .....	25
Help tab .....	26
Tools tab .....	26

Estimated Levels tab .....	26
HP Utility (OS X) .....	26
AirPrint™ (OS X) .....	26
<b>4 Paper and print media .....</b>	<b>27</b>
Understand paper use .....	27
Supported media sizes .....	28
Supported paper and print media sizes .....	28
Supported envelope sizes (Tray 1 only) .....	30
Supported card sizes .....	30
Supported label sizes .....	30
Supported photo media sizes .....	31
Supported paper types, tray capacities, and orientations .....	31
Orientation .....	31
Paper types and tray capacities .....	31
Configure trays .....	32
Guidelines .....	32
Examples .....	33
Load media .....	34
Load Tray 1 .....	34
Load Tray 2 .....	35
Load lower 550-sheet trays .....	37
Load HCI trays .....	37
Load envelopes .....	39
Load letterhead or preprinted forms .....	40
Tips for selecting and using paper .....	41
<b>5 Cartridges .....</b>	<b>43</b>
HP PageWide cartridges .....	43
HP policy on non-HP cartridges .....	43
Counterfeit HP cartridges .....	43
Manage cartridges .....	43
Store cartridges .....	44
Print with General Office mode .....	44
Print when a cartridge is at estimated end of life .....	44
Check the estimated cartridge levels .....	44
Order cartridges .....	45
Recycle cartridges .....	46
Replace cartridges .....	46
Tips for working with cartridges .....	47

<b>6 Print</b> .....	<b>49</b>
Print from a computer .....	49
To print from a computer (Windows) .....	49
To print from a computer (OS X) .....	51
To set up printing shortcuts (Windows) .....	52
To set up printing presets (OS X) .....	52
To adjust or manage colors .....	52
Choose a preset color theme for a print job .....	52
Adjust the color options for a print job manually .....	53
Match colors to your computer screen .....	54
Control access to color printing .....	54
Print from the control panel .....	54
Print using job storage .....	54
To disable or re-enable job storage .....	54
Disable or enable job storage (Windows) .....	55
Disable or enable job storage (OS X) .....	55
To apply job storage to one or all print jobs .....	55
Apply job storage to one print job (Windows) .....	55
Apply job storage to all print jobs (Windows) .....	56
Apply job storage to one print job (OS X) .....	57
Apply job storage to all print jobs (OS X) .....	57
To print a job stored on the printer .....	58
To delete a job stored on the printer .....	58
Print from a USB device .....	59
Print with NFC .....	59
Print with AirPrint (OS X) .....	59
Tips for print success .....	59
Cartridge tips .....	60
Paper loading tips .....	60
Printer settings tips (Windows) .....	60
Printer settings tips (OS X) .....	60
<b>7 Solve problems</b> .....	<b>62</b>
Problem-solving checklist .....	62
Check that the product power is on .....	62
Check the control panel for error messages .....	62
Test print functionality .....	63
Try sending a print job from a computer .....	63
Test the plug-and-print USB functionality .....	63
Factors that affect product performance .....	63
Information pages .....	63

Factory-set defaults .....	65
Cleaning routines .....	65
Clean the printhead .....	65
Clean the touch screen .....	65
Jams and paper-feed issues .....	65
The product does not pick up paper .....	66
The product picks up multiple sheets of paper .....	66
Prevent paper jams .....	66
Clear jams .....	67
Guidelines for clearing jams .....	67
Jam locations .....	67
Clear jams in Tray 1 (multipurpose tray) .....	68
Clear jams in Tray 2 .....	69
Clear jams in lower 550-sheet trays .....	70
Clear jams in the 550-sheet tray or in the first tray in stand .....	70
Clear jams in the second tray in the 3x550-sheet tray and stand .....	72
Clear jams in the third tray in the 3x550-sheet tray and stand .....	74
Clear jams in HCl trays .....	76
Clear jams in left HCl tray .....	76
Clear jams in right HCl tray .....	78
Clear jams in the left door .....	80
Clear jams in the left duplexer .....	82
Clear jams in the right door .....	83
Clear jams in the right duplexer .....	84
Clear jams in the output bin .....	85
Cartridge issues .....	86
Refilled or remanufactured cartridges .....	86
Interpret control panel messages for cartridges .....	87
Cartridge Depleted .....	87
Cartridge Low .....	87
Cartridge Problem .....	88
Cartridge Very Low .....	88
Counterfeit or used [color] cartridge installed .....	88
Do not use SETUP cartridges .....	88
Genuine HP cartridge installed .....	88
Incompatible [color] .....	89
Install [color] cartridge .....	89
Non-HP cartridges installed .....	89
Printer Failure .....	89
Problem with Print System .....	89
Problem with Printer Preparation .....	90

Problem with SETUP cartridges .....	90
Use SETUP cartridges .....	90
Used [color] installed .....	90
Printing issues .....	90
The product does not print .....	91
Printing troubleshooting checklist .....	91
Reinstall or replace the left duplexer .....	92
Remove the printhead wiper restraints .....	93
The product prints slowly .....	94
Plug-and-print USB issues .....	95
The Memory Device Options menu does not open when you insert the USB accessory .....	95
The file does not print from the USB storage device .....	95
The file that you want to print is not listed in the Memory Device Options menu .....	95
Improve print quality .....	96
Check for genuine HP cartridges .....	96
Use paper that meets HP specifications .....	96
Use the correct paper type setting in the printer driver .....	97
Change the paper type and size setting (Windows) .....	97
Change the paper type and size setting (OS X) .....	97
Use the printer driver that best meets your printing needs .....	97
Print a print-quality report .....	98
Align the printhead .....	98
Connectivity issues .....	98
Solve USB direct-connect problems .....	99
Solve network problems .....	99
Poor physical connection .....	99
The computer is using the incorrect IP address for the product .....	99
The computer is unable to communicate with the product .....	100
The product is using incorrect link and duplex settings for the network .....	100
New software programs might be causing compatibility problems .....	100
The computer or workstation might be set up incorrectly .....	100
The product is disabled, or other network settings are incorrect .....	100
Wireless network issues .....	100
Wireless connectivity checklist .....	101
The product does not print, and the computer has a third-party firewall installed .....	101
The wireless connection does not work after moving the wireless router or product .....	101
The wireless product loses communication when connected to a VPN .....	102
The network does not appear in the wireless networks list .....	102
Product software issues (Windows) .....	102
Product software issues (OS X) .....	103



A print job was not sent to the product that you wanted .....	103
You are using a generic printer driver when using a USB connection .....	103

**8 Service and support ..... 104**

Customer support .....	104
HP limited warranty statement .....	104
UK, Ireland, and Malta .....	106
Austria, Belgium, Germany, and Luxemburg .....	106
Belgium, France, and Luxemburg .....	107
Italy .....	108
Spain .....	108
Denmark .....	109
Norway .....	109
Sweden .....	109
Portugal .....	109
Greece and Cyprus .....	110
Hungary .....	110
Czech Republic .....	110
Slovakia .....	111
Poland .....	111
Bulgaria .....	111
Romania .....	112
Belgium and the Netherlands .....	112
Finland .....	112
Slovenia .....	113
Croatia .....	113
Latvia .....	113
Lithuania .....	113
Estonia .....	114
Russia .....	114

**Appendix A Technical information ..... 115**

Product specifications .....	115
Print specifications .....	115
Physical specifications .....	115
Warning icons .....	115
Power consumption and electrical specifications .....	115
Acoustic emission specifications .....	116
Environmental specifications .....	116
Environmental product stewardship program .....	116
Protecting the environment .....	117

Safety data sheets .....	117
Ozone production .....	117
Power consumption .....	117
European Union Commission Regulation 1275/2008 .....	117
Paper .....	118
Plastics .....	118
HP PageWide printing supplies .....	118
Paper use .....	118
Electronic hardware recycling .....	118
Material restrictions .....	118
Material restrictions .....	118
Battery disposal in Taiwan .....	119
California Perchlorate Material Notice .....	119
European Union Battery Directive .....	119
Battery notice for Brazil .....	119
Chemical substances .....	119
EPEAT .....	119
Disposal of waste equipment by users .....	120
Waste disposal for Brazil .....	120
The Table of Hazardous Substances/Elements and their Content (China) .....	120
Restriction of hazardous substance (India) .....	121
Declaration of the Presence Condition of the Restricted Substances Marking (Taiwan) .....	122
Restriction on hazardous substances statement (Turkey) .....	123
Restriction on hazardous substances statement (Ukraine) .....	123
China energy label for printer, fax, and copier .....	123
Regulatory information .....	124
Regulatory notices .....	124
Regulatory model identification number .....	124
FCC statement .....	124
VCCI (Class B) compliance statement for users in Japan .....	125
Power cord instructions .....	125
Notice to users in Japan about the power cord .....	125
Notice to users in Korea .....	125
Noise emission statement for Germany .....	125
European Union Regulatory Notice .....	126
Products with wireless functionality .....	126
Models with fax capability only .....	126
Visual display workplaces statement for Germany .....	126
Additional statements for wireless products .....	127
Exposure to radio frequency radiation .....	127
Notice to users in Brazil .....	127

Notice to users in Canada .....	127
Notice to users in Canada (5 GHz) .....	128
Notice to users in Serbia (5 GHz) .....	128
Notice to users in Taiwan (5 GHz) .....	128
Notice to users in Taiwan .....	128
Notice to users in Mexico .....	129
Notice to users in Japan .....	129
Notice to users in Korea .....	129

<b>Index .....</b>	<b>130</b>
--------------------	------------



---

# 1 Get started

- [Welcome](#)
- [Product features](#)
- [Product views](#)
- [Power on and off](#)
- [Use the control panel](#)

## Welcome

Welcome to the electronic help for your HP PageWide printer. This help provides basic information about your product, including:

- A summary of product features
- Options and settings for power management
- How to use the control panel
- How to gain access to onboard help and how-to videos
- Physical, electrical, acoustic, and environmental specifications
- Required legal, environmental, and regulatory information

If you need help solving a problem, contact the printer administrator or technical support.

## Product features

- [HP PageWide P75050-60 series](#)
- [Environmental features](#)
- [Accessibility features](#)

## HP PageWide P75050-60 series

- [Tray capacity \(75 gsm or 20-lb bond paper\)](#)
- [Print](#)
- [Connectivity](#)
- [Wireless](#)
- [Optional accessories](#)

### Tray capacity (75 gsm or 20-lb bond paper)

---

	P75050dn	P75050dw
Tray 1: 100 sheets	✓	✓

---

	P75050dn	P75050dw
Tray 2: 550 sheets	✓	✓
Output bin: 500 sheets	✓	✓

## Print

	P75050dn	P75050dw
One-sided printing speeds up to 50 pages per minute (ppm) in black and color in Professional mode	✓	✓
Two-sided printing speeds up to 35 ppm in black and color in Professional mode	✓	✓
Up to 70 ppm in General Office mode	✓	✓
Walk-up:		
<ul style="list-style-type: none"> <li>Plug-and-print with Host USB Type A port</li> </ul>	✓	✓
<ul style="list-style-type: none"> <li>Printing of MS Office documents</li> </ul>	✓	✓

## Connectivity

	P75050dn	P75050dw
802.3 LAN (10/100/1000) Ethernet port	✓	✓
Host USB Type A ports (front and back)	✓	✓
Device USB Type B port (back)	✓	✓

## Wireless

	P75050dn	P75050dw
Embedded wireless capability		✓
802.11n dual-band support		✓
NFC-enabled (Near Field Communications); walk-up printing from smart phones and tablets		✓
Bluetooth Smart		✓
Wi-Fi Direct		✓

## Optional accessories

	P75050dn	P75050dw
550-sheet tray	✓	✓
550-sheet tray and stand	✓	✓

	P75050dn	P75050dw
3x550-sheet tray and stand	✓	✓
4000-sheet high-capacity input trays and stand	✓	✓
128GB eMMC (embedded MultiMediaCard)	✓	✓
Hardware integration pocket (for connecting accessory and third-party devices)	✓	✓

## Environmental features

Feature	Environmental benefit
Duplex printing	Automatic two-sided printing is available on all models of this product. Two-sided printing saves the environment and saves you money.
Print multiple pages per sheet	Save paper by printing two or more pages of a document side-by-side on one sheet of paper. Access this feature through the printer driver.
Recycling	Reduce waste by using recycled paper. Recycle cartridges by using the HP Planet Partners return process.
Energy savings	Sleep modes and timer options enable this product to quickly go into reduced power states when not printing, thus saving energy.

## Accessibility features

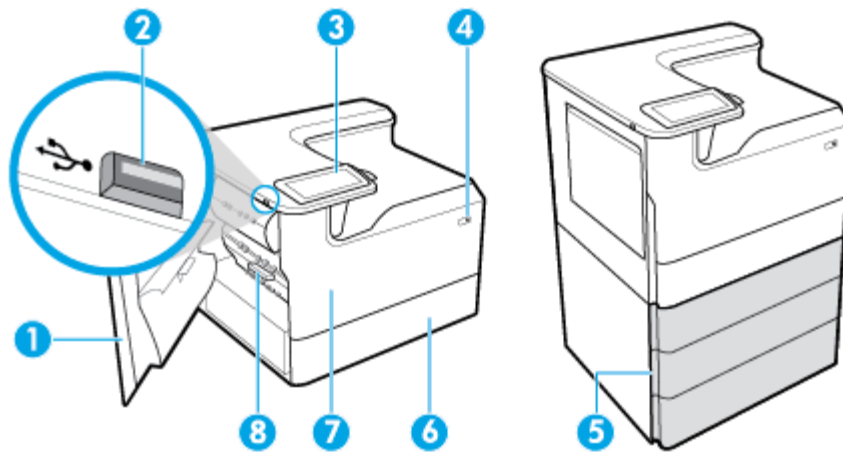
The product includes several features that aid users with limited vision, hearing, dexterity, or strength:

- Online user guide is compatible with text screen-readers.
- Cartridges can be installed and removed using one hand.

## Product views

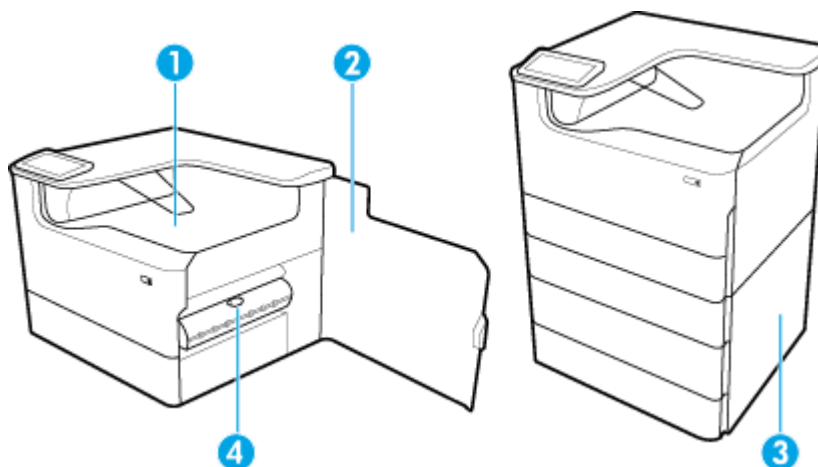
- [Front left view](#)
- [Front right view](#)
- [Back view](#)
- [Cartridge and product numbers](#)

## Front left view



Label	Description
1	Left door
2	Host USB Type A port
3	Control panel
4	Power button
5	Lower trays (available as optional accessories only): <ul style="list-style-type: none"><li>• 550-sheet tray</li><li>• 550-sheet tray and stand</li><li>• 3x550-sheet tray and stand (shown)</li><li>• 4000-sheet high-capacity input trays and stand</li></ul>
6	Tray 2 - This is the default tray for the product
7	Cartridge door
8	Left duplexer

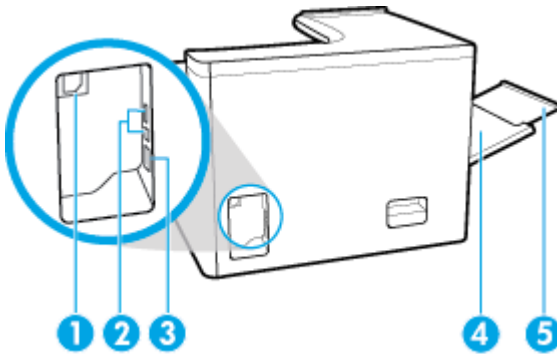
## Front right view





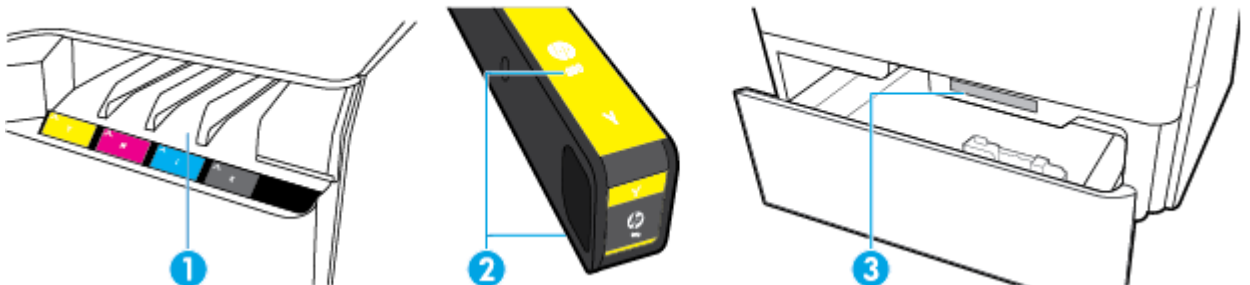
Label	Description
1	Output bin
2	Right door
3	Lower right door (available in some models only)
4	Right duplexer

## Back view



Label	Description
1	Power cord connection
2	Host USB Type A port and Device USB Type B port
3	Ethernet connection port
4	Tray 1 (multipurpose tray)
5	Tray 1 extension

## Cartridge and product numbers



Label	Description
1	Cartridge slots

Label	Description
2	Cartridge part numbers
3	Product serial number and product number

## Power on and off


**NOTICE:** To prevent damage to the product, use only the power cord that is provided with the product.

- [Turn the product on and off](#)
- [Manage power](#)

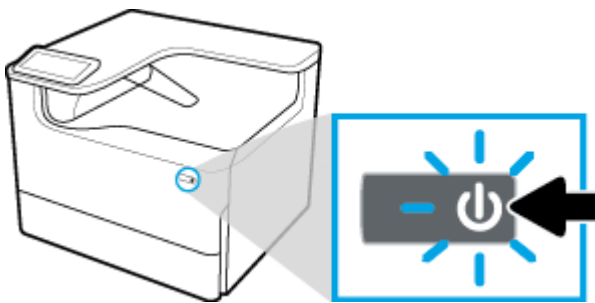
### Turn the product on and off

#### Turn the product on

1. Connect the power cord that is provided with the product to the connection port on the back of the product.
2. Connect the power cord to a wall outlet.

 **NOTE:** Make sure that your power source is adequate for the product voltage rating. The product uses either 100-240 V ac or 200-240 V ac and 50/60 Hz.

3. Press and release the power button on the front of the product.



#### Turn the product off

The amount of time it takes to turn off depends on the functions the product is performing at the time.

 **NOTE:** Do not turn off the product if a cartridge is missing. Damage to the product can result.

- ▲ Press and release the power button on the front of the product to turn off your HP PageWide P75050-60 series printer.



A warning message appears on the control panel if you attempt to turn the product off when one or more cartridges are missing.

---

**NOTICE:** To prevent print-quality problems, turn off the product by using the power button on the front only. Do not unplug the product, turn off the powerstrip, or use any other method.

---

## Manage power

HP PageWide P75050-60 series printers include power-management features that can help reduce power consumption and save energy:

- Sleep Mode puts the product in a reduced power-consumption state if it has been idle for a specific length of time. You can set the length of time before the product enters Sleep Mode from the control panel.
- Schedule On/Off enables you to turn the product on or off automatically on days and times that you set from the control panel. For example, you can set the product to turn off at 6 p.m. on Monday through Friday.




---

**NOTE:** You can also manage power from the HP Embedded Web Server. For more information, see [Settings tab](#).


---

### Set the Sleep Mode time

1. Open the control panel dashboard (swipe the dashboard tab at the top of any screen downward, or touch the strip at the top of the home screen).
2. On the control panel dashboard, touch  (Setup).
3. Touch [Power Management](#), and then touch [Sleep Mode](#).
4. Select one of the time-interval options.

The product switches into a reduced power-consumption state when it has been idle for the amount of time that you select.

### Schedule the product to turn on or off

1. Open the control panel dashboard (swipe the dashboard tab at the top of any screen downward, or touch the strip at the top of the home screen).
2. On the control panel dashboard, touch  (Setup).
3. Touch [Power Management](#), and then touch [Schedule Wake/Sleep](#).
4. Turn the [Schedule On](#) or [Schedule Off](#) option on.
5. Select the [Schedule On](#) or [Schedule Off](#) options, and then select the day and time that you want to schedule.

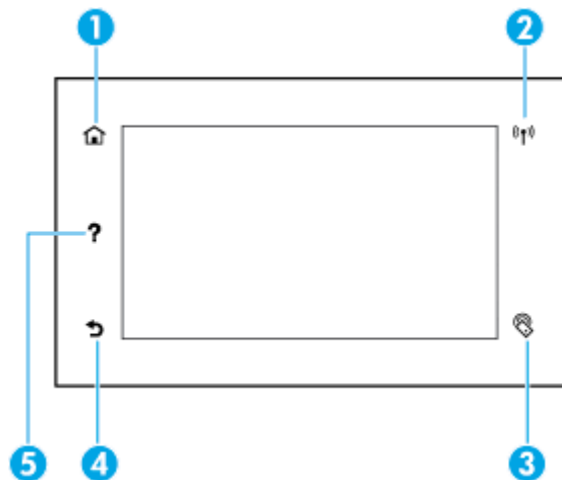
The product switches on or off at the times and days that you select.





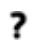
## Use the control panel

- [Control panel buttons](#)
- [Control panel home screen](#)
- [Control panel dashboard](#)
- [Help features](#)

## Control panel buttons

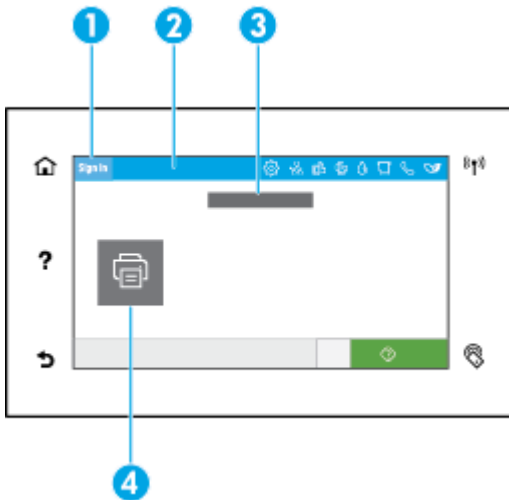
Buttons and indicator lights on the product control panel of HP PageWide P75050-60 series printers appear lit when their function is available and are darkened if their function is not available.



1		<b>Home</b> button. Touch to view the control panel home screen.
2		<b>Wireless</b> network indicator (available in some printers only). Solid blue when the product is connected to a wireless network. Blinks when the product is searching for a wireless connection. Off if one of the following is true: <ul style="list-style-type: none"><li>• The product is connected to a wired network.</li><li>• The wireless network is turned off.</li><li>• The administrator disables the wireless feature.</li></ul>
3		<b>NFC</b> (Near Field Communications) indicator (available in some printers only). Touch with your NFC-enabled device for fast and easy mobile printing.
4		<b>Back</b> or <b>Cancel</b> button. Touch to return to the previous screen, or to cancel the current process.
5		<b>Help</b> button. Touch to view the Help menu options.

## Control panel home screen

The control panel home screen displays a dashboard and applications.



**1 Sign-in icon.**

The product can be set up to require users to sign in before using some applications. Touch here to sign in with an access code.

**2 Dashboard.**

Dashboard icons show current product status and provide access to screens for changing product settings (see [Control panel dashboard](#)). To view the full dashboard, touch the strip at the top of the home screen, or press and drag the handle at the center of the dashboard strip.

**3 Time and date display.**

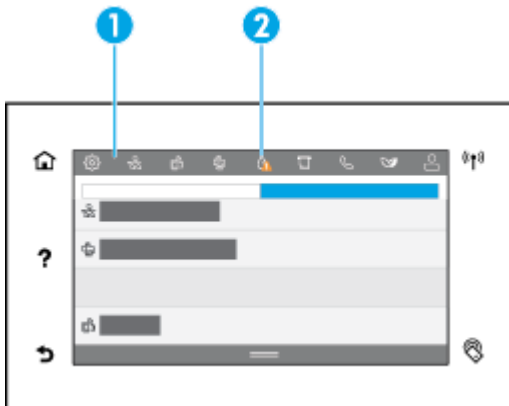
This section also displays scheduled events, like scheduled off time (see [Manage power](#)).

**4 Application or setup icons.**

Press and drag to scroll horizontally through the available icons. Touch an icon to view an application or setup screen.

## Control panel dashboard

To open the dashboard, swipe the dashboard tab at the top of any screen downward, or touch the strip at the top of the home screen.



- 1** Larger icons appear across the top of the dashboard. These icons indicate the status of the product and enable you to change product settings.

---

Swipe to scroll horizontally through the available icons. Touch an icon to view a status screen or to change product settings.

---

2 A yellow or red triangle appears on an icon to indicate that user attention is required.

In the example above, a yellow warning indicates that the contents of one or more cartridges are low.

---

## Help features

HP PageWide P75050-60 series printers have built-in help that is accessible from the control panel. Help features include tips, important product information that you can view or print, and animations that show how to perform tasks or solve problems.

To view these help features, touch **?** (Help) on the printer control panel.

- [Printer information](#)
- [Help animations](#)

## Printer information

The Printer Information page displays the following information about your HP PageWide P75050-60 series printer:

- Model name and number
- Product serial number
- Product Service ID
- Current firmware version number
- Usage, status, and settings information (if you print the full product information and printer status report pages)

### View or print a Printer Information page

1. On the printer control panel, touch **?** (Help).
2. Touch [Printer Information](#).
3. If you want to print the information, touch [Print](#).

## Help animations

The built-in help contains animations that show how to perform tasks or solve problems. To select and view an available help animation:

1. On the printer control panel, touch **?** (Help).
2. Touch [How To Videos](#).
3. Select an animation to play.

## 2 Connect the product

- [Connect the product to a computer or a network](#)
- [Use Wi-Fi Direct](#)
- [Install HP printer software for a wireless product already on the network](#)
- [Open the printer software \(Windows\)](#)
- [Manage network settings](#)

### Connect the product to a computer or a network

- [To connect the product using a USB cable](#)
- [To connect the product to a network](#)

#### To connect the product using a USB cable

You can use a USB cable to connect the product to a computer.

This product supports a USB 2.0 connection. Use an A-to-B type USB cable. HP recommends using a cable that is no longer than 2 m (6.5 ft).


---

**NOTICE:** Do not connect the USB cable until the installation software prompts you to connect it.

---

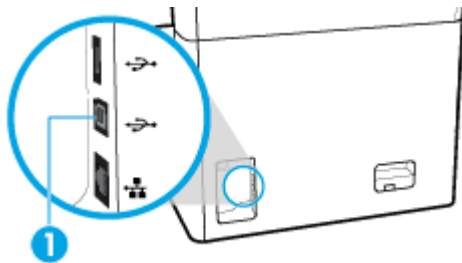
1. Quit all open programs on the computer.
2. Install the printer software from [HP Customer Support](#), and follow the onscreen instructions.
3. When prompted, select **USB-Connect the printer to the computer using a USB cable**, and then click the **Next** button.

---

 **NOTE:** A dialog box displays a warning that HP ePrint and print Apps are unavailable with a USB installation. Click **Yes** to proceed with the USB installation, or click **No** to cancel it.

---

4. When the software prompts you, connect the Type B end of the USB cable to the USB Type B connection port (1) at the rear of the product.



5. When the installation is complete, print a page from any program to make sure that the printing software is correctly installed.

## To connect the product to a network

The product supports connection to either a wired or a wireless network.

### Supported network protocols

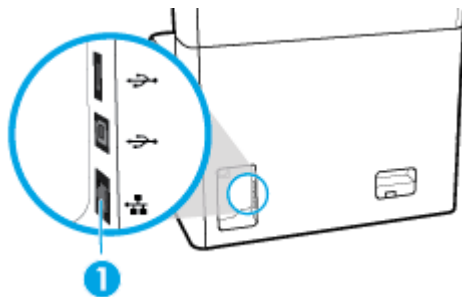
The product supports the following network protocols:


- 
- AirPrint 1.6 x
  - AirPrint Scan
  - ARP Ping
  - Bonjour
  - Bootp
  - CIFS client
  - DHCP, AutoIP
  - DHCP v6
  - HTTP, HTTPS
  - IPP
  - IPv4
  - IPv6
  - Legacy Default IP
  - LLMNR
  - LPD
  - Microsoft Web Services (Print, Scan, Discovery)
  - Netbios
  - Port 9100 Printing
  - SLP
  - SMTP client for alerts
  - SNMP V1, V2, V3
  - Syslog
  - TLS 1.0, 1.1, 1.2
  - WINS
  - WPA Enterprise
- 

### Connect the product using a wired network

Use this procedure to install the product on a wired network:

1. Connect the Ethernet cable to the Ethernet port (1) and to the network.



2. Turn the product on.
3. Wait for 60 seconds before continuing. During this time, the network recognizes the product and assigns an IP address or host name for the product.
4. Open the control panel dashboard (swipe the dashboard tab at the top of any screen downward, or touch the strip at the top of the home screen).
5. On the control panel dashboard, touch  (Ethernet) to display the IP address. Touch [Print Details](#) to print a page with the IP address.



## Connect the product using a wireless network (wireless models only)

The wireless capability is off, by default. Use the following methods to turn wireless on and connect the product to a wireless network:


- [To enable wireless capability on the product](#)
- [To connect the product to a wireless network using the Wireless Setup Wizard](#)
- [To connect the product to a wireless network using WPS](#)
- [To connect the product to a wireless network manually](#)



**NOTE:** The printer supports 802.11n networks (2.4GHz and 5GHz).


If your wireless router does not support Wi-Fi Protected Setup (WPS), ask your system administrator for the wireless network name or service set identifier (SSID) and the wireless network security password or encryption key.

### To enable wireless capability on the product

1. Open the control panel dashboard (swipe the dashboard tab at the top of any screen downward, or touch the strip at the top of the home screen).
2. On the control panel dashboard, touch  (Setup).
3. Touch **Network Setup**, and then touch **Wireless Settings**.
4. Touch **Wireless** and select **On**.

### To connect the product to a wireless network using the Wireless Setup Wizard

The Wireless Setup Wizard is the best method for installing the product on a wireless network.

1. Make sure the wireless capability for your printer is turned on.  
For more information, see [To enable wireless capability on the product](#).
2. Open the control panel dashboard (swipe the dashboard tab at the top of any screen downward, or touch the strip at the top of the home screen).
3. On the control panel dashboard, touch  (Setup).
4. Touch **Network Setup**, and then touch **Wireless Settings**.
5. Touch **Wireless Setup Wizard**.
6. The product scans for available wireless networks and returns a list of network names (SSIDs). Select the SSID for your wireless router from the list if it is available. If the SSID for your wireless router is not in the list, touch **Enter SSID**. When prompted for the type of network security, select the option that your wireless router uses. A keypad opens on the control panel display.
7. Do one of the following:
  - If your wireless router uses WPA security, type the passphrase on the keypad.
  - If your wireless router uses WEP security, type the key on the keypad.
8. Touch **OK**, and wait while the product establishes a connection with the wireless router. Establishing the wireless connection can take a few minutes.


## To connect the product to a wireless network using WPS

Before you can connect your printer to a wireless network using WPS, make sure you have the following:


- A WPS-enabled wireless router or access point.
- A computer connected to the wireless network that you intend to connect the printer to. Be sure you have installed the HP printer software on the computer.

If you have a WPS router with a WPS push button, follow the **Push Button method**. If you are not certain your router has a push button, follow the **PIN method**.

### Push Button method

1. Make sure the wireless capability for your printer is turned on.  
For more information, see [To enable wireless capability on the product](#).
2. Open the control panel dashboard (swipe the dashboard tab at the top of any screen downward, or touch the strip at the top of the home screen).
3. On the control panel dashboard, touch  (Setup).
4. Touch **Network Setup**, and then touch **Wireless Settings**.
5. Touch **Wi-Fi Protected Setup** and select **Push Button**.
6. Touch **Start**.

### PIN method

1. Make sure the wireless capability for your printer is turned on.  
For more information, see [To enable wireless capability on the product](#).
2. Locate the WPS PIN:
  - a. Open the control panel dashboard (swipe the dashboard tab at the top of any screen downward, or touch the strip at the top of the home screen).
  - b. On the control panel dashboard, touch  (Setup).
  - c. Touch **Network Setup**, and then touch **Wireless Settings**.
  - d. Touch **Wi-Fi Protected Setup**, and then touch **PIN**.

The WPS PIN displays onscreen.

3. Open the configuration utility or software for the wireless router or wireless access point, and then enter the WPS PIN.



**NOTE:** For more information about using the configuration utility, see the documentation provided with the router or wireless access point.


4. Wait for about two minutes. If the printer connects successfully, the  (**Wireless**) indicator stops blinking but remains lit.

## To connect the product to a wireless network manually

During the first 120 minutes of product setup, or after resetting the product's network defaults (and without a network cable attached to the product), the product's wireless radio will broadcast a wireless setup network for the product.

The name of this network is "HP-Setup-xx-[product name]".

---

 **NOTE:** The “xx” in the network name is the last two characters of the product's MAC address. The product name is HP PageWide P75050-60.

---

1. Make sure the wireless capability for your printer is turned on.  
For more information, see [To enable wireless capability on the product](#).
2. From a wireless enabled product, connect to the setup network for the device.
3. Open a web browser while connected to this setup network, and open the HP Embedded Web Server (EWS) using the following IP address.
  - 192.168.223.1
4. Find the Wireless Setup Wizard in the EWS and follow the instructions to manually connect the product.

 **NOTE:** The product provides an Automatic DHCP address by default.

---



## Use Wi-Fi Direct


With Wi-Fi Direct, you can print wirelessly from a computer, smart phone, tablet, or other wireless-capable device—without connecting to an existing wireless network.


### Guidelines for using Wi-Fi Direct

- Make sure your computer or mobile device has the necessary software.
  - If you are using a computer, download the printer software from [www.support.hp.com](http://www.support.hp.com).  
Connect to Wi-Fi Direct. Then, install the printer software, selecting **Wireless** when prompted by the printer software for a connection type.
  - If you are using a mobile device, make sure you have installed a compatible printing app. For more information about mobile printing, visit the [www.hp.com/go/mobileprinting](http://www.hp.com/go/mobileprinting) website.
- Make sure Wi-Fi Direct for your printer is turned on.
- Up to five computers and mobile devices can use the same Wi-Fi Direct connection.
- Wi-Fi Direct can be used while the printer is also connected either to a computer using a USB cable or to a network using a wireless connection.
- Wi-Fi Direct cannot be used to connect a computer, mobile device, or printer to the Internet.

### To turn on Wi-Fi Direct


1. Open the control panel dashboard (swipe the dashboard tab at the top of any screen downward, or touch the strip at the top of the home screen).
2. On the control panel dashboard, touch  (Wi-Fi Direct).
3. Touch  (Settings).
4. If the display shows that Wi-Fi Direct is off, touch [Wi-Fi Direct](#) and switch it on.

 **NOTE:** For more secure connections, you can configure advanced Wi-Fi Direct settings from the EWS. On the **Network** tab, under **Wi-Fi Direct**, click **Status**, and then click **Edit Settings**. Under **Status**, click **On** and under **Connection Method**, click **Advanced**.

 **TIP:** You can also turn on Wi-Fi Direct from the EWS. For more information about using the EWS, see [HP Embedded Web Server](#).

---

## To print from a wireless-capable mobile device

 **NOTE:** Make sure you have installed a compatible printing app on your mobile device. For more information, visit the [www.hp.com/go/mobileprinting](http://www.hp.com/go/mobileprinting) website.

1. Make sure you have turned on Wi-Fi Direct on the printer.
2. Turn on the Wi-Fi connection on your mobile device. For more information, see the documentation provided with the mobile device.

 **NOTE:** If your mobile device does not support Wi-Fi, you are not able to use Wi-Fi Direct.

3. From the mobile device, connect to a new network. Use the process you normally use to connect to a new wireless network or hotspot. Choose the Wi-Fi Direct name from the list of wireless networks shown such as **DIRECT-\*\*-HP PageWide XXXX** (where \*\* are the unique characters to identify your printer and XXXX is the printer model located on the printer).
4. Enter the Wi-Fi Direct password when prompted.
5. Print your document.

## To print from a wireless-capable computer (Windows)

1. Make sure Wi-Fi Direct for your printer is turned on.
2. Turn on the computer's Wi-Fi connection. For more information, see the documentation provided with the computer.

 **NOTE:** If your computer does not support Wi-Fi, you are not able to use Wi-Fi Direct.

3. From the computer, connect to a new network. Use the process you normally use to connect to a new wireless network or hotspot. Choose the Wi-Fi Direct name from the list of wireless networks shown such as **DIRECT-\*\*-HP PageWide XXXX** (where \*\* are the unique characters to identify your printer and XXXX is the printer model located on the printer).
4. Enter the Wi-Fi Direct password when prompted.

 **NOTE:** To find the password, touch  (Wi-Fi Direct) on the home screen.

5. Proceed to the next step if the printer is connected to the computer over a wireless network. If the printer is connected to your computer with a USB cable, follow these steps to install the printer software using the HP Wi-Fi Direct connection:
  - a. Open the printer software. For more information, see [Open the printer software \(Windows\)](#).
  - b. Click **Printer Setup & Software**, and then select **Connect a new printer**.
  - c. When the **Connection Options** software screen appears, select **Wireless**.
  - d. Select your HP printer software from the list of detected printers.
  - e. Follow the onscreen instructions.
6. Print your document.

## To print from a wireless-capable computer (OS X)


1. Make sure Wi-Fi Direct for your printer is turned on.
2. Turn on Wi-Fi on the computer.

For more information, see the documentation provided by Apple.

3. Click the Wi-Fi icon and choose the Wi-Fi Direct name, such as **DIRECT-\*\*-HP PageWide XXXX** (where \*\* are the unique characters to identify your printer and XXXX is the printer model located on the printer).
4. If Wi-Fi Direct is turned on with security, enter the password when prompted.
5. Add the printer:
  - a. Open **System Preferences**.
  - b. Click **Printers**.
  - c. Click + below the list of printers at the left.
  - d. Select the printer from the list of detected printers (the word “Bonjour” is listed in the right column beside the printer name), and click **Add**.

## Install HP printer software for a wireless product already on the network

If the product already has an IP address on a wireless network and you want to install product software on a computer, complete the following steps:

1. Obtain the product IP (on the control panel dashboard, touch  [Ethernet]).
2. Install the printer software from [www.support.hp.com](http://www.support.hp.com).
3. Follow the onscreen instructions.
4. When prompted, select **Wireless - Connect the printer to your wireless network and internet**, and then click **Next**.
5. From the list of available printers, select the printer that has the correct IP address.

## Open the printer software (Windows)

Depending on your operating system, you can open the printer software as follows:


- **Windows 10:** From the computer desktop, click **Start**, select **All apps**, click **HP**, click the folder for the printer, and then select the icon with the printer's name.
- **Windows 8.1:** Click the down arrow in lower left corner of the Start screen, and then select the printer name.
- **Windows 8:** Right-click an empty area on the Start screen, click **All Apps** on the app bar, and then select the printer name.
- **Windows 7, Windows Vista, and Windows XP:** From the computer desktop, click **Start**, select **All Programs**, click **HP**, click the folder for the printer, and then select the icon with the printer's name.

## Manage network settings

- [View or change network settings](#)
- [Set or change the product password](#)
- [Manually configure TCP/IP parameters from the control panel](#)
- [Link speed and duplex settings](#)

## View or change network settings

Use the HP Embedded Web Server to view or change IP configuration settings.

1. Obtain the product IP (on the control panel dashboard, touch  [Ethernet]).
2. Type the product IP address into the address bar of a web browser to open the HP Embedded Web Server.
3. Click the **Network** tab to obtain network information. You can change settings as needed.


## Set or change the product password

Use the HP Embedded Web Server to set a password or change an existing password for a product on a network so unauthorized users cannot change the product settings.


---

 **NOTE:** For information about protecting your product password, see the Security Best Practices document on the [HP secure printing](#) website.

---

1. Obtain the product IP (on the control panel dashboard, touch  [Ethernet]).
2. Type the product IP address into the address bar of a web browser. Click the **Settings** tab, click **Security**, and then click the **General Security** link.

---


 **NOTE:** If a password has previously been set, you are prompted to type the password. Type “admin” for User Name along with the password, and then click **Apply**.

---

3. Type the new password in the **Password** field and in the **Confirm Password** field.
4. At the bottom of the window, click **Apply** to save the password.

## Manually configure TCP/IP parameters from the control panel

Use the control panel menus to manually set an IPv4 address, subnet mask, and default gateway.

1. Open the control panel dashboard (swipe the dashboard tab at the top of any screen downward, or touch the strip at the top of the home screen).
2. On the control panel dashboard, touch  (Setup).
3. Touch **Network Setup**, and then touch one of the following:
  - **Ethernet Settings** (for a wired network)
  - **Wireless Settings** (for a wireless network)
4. Touch **Advanced Settings**, and then touch **IP Settings**.
5. Touch **Manual**, and then touch **IP Address**.
6. Using the numeric keypad, do the following:
  - a. Enter the IP address, and touch **Done** .
  - b. Enter the subnet mask, and touch **Done** .
  - c. Enter the default gateway, and touch **Done** .
7. Touch **Apply**.

## Link speed and duplex settings




**NOTE:** This information applies only to Ethernet (wired) networks. It does not apply to wireless networks.

The link speed and communication mode of the print server must match the network hub. For most situations, leave the product in automatic mode. Incorrect changes to the link speed and duplex settings might prevent the product from communicating with other network devices. If you need to make changes, use the printer control panel.



**NOTE:** Making changes to these settings causes the product to turn off and then on. Make changes only when the product is idle.

1. Open the control panel dashboard (swipe the dashboard tab at the top of any screen downward, or touch the strip at the top of the home screen).
2. On the control panel dashboard, touch  (Setup).
3. Touch [Network Setup](#), and then touch [Ethernet Settings](#).
4. Touch [Advanced Settings](#), and touch [Link Speed](#).
5. Select one of the following options:

Setting	Description
<a href="#">Automatic</a>	The print server automatically configures itself for the highest link speed and communication mode allowed on the network.
<a href="#">10-Full</a>	10 Mbps, full-duplex operation
<a href="#">10-Half</a>	10 Mbps, half-duplex operation
<a href="#">100-Full</a>	100 Mbps, full-duplex operation
<a href="#">100-Half</a>	100 Mbps, half-duplex operation
<a href="#">1000BT</a>	1000 Mbps, full-duplex operation

---

## 3 Printer management and services

- [HP Embedded Web Server](#)
- [Product security features](#)
- [HP Printer Assistant in the printer software \(Windows\)](#)
- [HP Utility \(OS X\)](#)
- [AirPrint™ \(OS X\)](#)

### HP Embedded Web Server

- [About the EWS](#)
- [About cookies](#)
- [Open the EWS](#)
- [Features](#)

#### About the EWS

This product is equipped with the HP Embedded Web Server (EWS), which provides access to information about product and network activities. EWS serves up webpages that can be viewed in a standard web browser.

The EWS resides on a hardware device (such as an HP printer) or in firmware, rather than as software that is loaded on a network server.

The advantage of the EWS is that it provides an interface to the product that anyone with a network-connected product and computer can use. There is no special software to install or configure, but you must have a supported web browser on the computer. To gain access to the EWS, type the IP address for the product in the address bar of the browser.

#### About cookies

The EWS places very small text files (cookies) on your hard drive when you are browsing. These files let the EWS recognize your computer the next time you visit. For example, if you have configured the EWS language, a cookie helps remember which language you have selected so that the next time you access the EWS, the pages are displayed in that language. Though some cookies are cleared at the end of each session (such as the cookie that stores the selected language), others (such as the cookie that stores customer-specific preferences) are stored on the computer until you clear them manually.



**IMPORTANT:** The cookies that the EWS stores on your computer are used only for saving settings on your computer or for sharing information between the printer and the computer. These cookies are not sent to any HP websites.

You can configure your browser to accept all cookies, or you can configure it to alert you every time a cookie is offered, which allows you to decide which cookies to accept or refuse. You can also use your browser to remove unwanted cookies.

Depending on your printer, if you disable cookies, you also disable one or more of the following features:




- Starting where you left the application (especially useful when using setup wizards).
- Remembering the EWS browser language setting.
- Personalizing the EWS home page.

For information about how to change your privacy and cookie settings and how to view or delete cookies, see the documentation available with your web browser.

## Open the EWS

To open the EWS, do one of the following:


- In a supported web browser, type the product IP address into the address box. (To obtain the IP address, on the control panel dashboard, touch  [Ethernet].)
- In the printer software, open the HP Printer Assistant and on the **Print** tab, click **Printer Home Page (EWS)**.

For more information, see [Open the HP Printer Assistant](#).

- In OS X, use HP Utility or click **System Preferences > Printers > HP PageWide P75050-60 > Options & Supplies > General > Show Printer Webpage**.

---

 **NOTE:** If an error occurs while opening the EWS, confirm that the proxy settings are correct for your network.

 **TIP:** After you open the URL, bookmark it so that you can return to it quickly in the future.

---

## Features

- [Home tab](#)
- [Print tab](#)
- [HP JetAdvantage tab](#)
- [Network tab](#)
- [Tools tab](#)
- [Settings tab](#)

---


 **NOTE:** Changing network settings in the EWS might disable some product or product software features.

---

## Home tab

Use the **Home** tab to access frequently used items from the **Web Services**, **Network**, **Tools**, and **Settings** tabs.

---

 **NOTE:** Not all of the following items are visible by default. Use the **Personalize** button to show or hide the items of your choice.

---

Item	Description
Energy Save Settings	Configure energy-saving features that switch the printer to Sleep Mode or turn the printer on or off automatically.
Printer Update	Check for new printer updates.
Estimated Cartridge Levels	Review cartridge level status.

Item	Description
Network Summary	View wired (802.3) status or wireless (802.11) status.
Print Quality Toolbox	Run maintenance tools to improve print quality of your printouts.
Wireless Setup Wizard	Set up a wireless connection using the wizard.
Wi-Fi Direct	Set up Wi-Fi Direct to print from a mobile device directly to the printer without connecting to a wireless network.
AirPrint	Set up AirPrint™ for printing from Apple-supported products.
Printer Information	View information about the printer, such as product serial number, service ID, firmware version, and total page count.
Administrator	Set up administrator control of printer features.
Backup	Back up the printer settings into a password-encrypted file.
Firewall	Configure the network firewall.
Printer Reports	Print the information pages about your printer.
Usage Report	Display usage counters for print jobs.



**NOTE:** Settings for this page are automatically saved in the web browser's cookies. If the web browser's cookies are deleted, these settings are lost.

## Print tab

Use the **Print** tab to configure the product's print features.

Item	Description
Print Settings	Configure general settings for printing (such as quality), duplexing (printing on two sides), PCL fonts, and PostScript errors.
Restrict Color	Set up and manage user access to color printing.

## HP JetAdvantage tab

Use the **HP JetAdvantage** tab to configure easy-to-use workflow and printing solutions that are both network- and cloud-based. HP JetAdvantage is designed to help your business manage its fleet of printers and scanners.

HP JetAdvantage includes solutions for security, management, workflow, and mobile printing. To enable HP JetAdvantage, make sure the printer is connected to the network and the Internet, and click **Continue**. Follow the onscreen instructions.

## Network tab

Use the **Network** tab to configure and secure network settings for the product when it is connected to an IP-based network. The **Network** tab does not appear if the product is connected to other types of networks.

You can enable or disable unused protocols and services. These protocol and services can also be protected from being changed by setting the EWS admin password. For a list of network protocols and services, see [Supported network protocols](#).

## Tools tab

Use the **Tools** tab to view or manage product utilities.

Item	Description
Product Information	<ul style="list-style-type: none"><li>• <b>Printer Information:</b> View information about the printer, such as product serial number, service ID, firmware version, and total page count.</li><li>• <b>Supply Status:</b> Review cartridge level status.</li><li>• <b>Supply Settings:</b> Set the threshold at which the printer provides notifications that cartridges are running low.</li></ul>
Reports	<ul style="list-style-type: none"><li>• <b>Usage Report:</b> View the number of pages processed for printing.</li><li>• <b>Printer Reports:</b> Print various reports, such as font lists.</li><li>• <b>Event Log:</b> View the printer's last 50 error messages.</li><li>• <b>Job Log:</b> View a list of the most recent jobs performed by the printer.</li><li>• <b>Color Usage Job Log:</b> View the number of pages printed in black-and-white/grayscale and color for all jobs and for individual jobs.</li></ul>
Utilities	<ul style="list-style-type: none"><li>• <b>Bookmarking:</b> Bookmark pages in the EWS.</li><li>• <b>Print Quality Toolbox:</b> Run maintenance tools to improve the print quality of your printouts.</li><li>• <b>Asset Tracking:</b> Assign an asset number/location to this device.</li></ul>
Backup and Restore	<ul style="list-style-type: none"><li>• <b>Backup:</b> Create a password-encrypted file that stores the printer's settings.</li><li>• <b>Restore:</b> Restore the printer's settings using a backup file created by the EWS.</li></ul>
Printer Restart	<b>Power Cycle:</b> Turn off and restart the printer.
Printer Updates	<b>Firmware Updates:</b> Set up the printer to alert you of updates or to automatically install updates.

## Settings tab

Use the **Settings** tab to set and maintain various options on your product including power management, date and time, email alerts, factory defaults, and firewall settings.

Item	Description
Power Management	Set up the Energy Save mode to minimize the amount of power that the product consumes when idle and to reduce wear on electronic components.
Preferences	Configure the default settings for general printer features such as date and time, language, display, and anonymous usage information. You can also set the default values for specific features such as manual feed, tray and paper management, image registration, ColorLok, and Quiet Mode.
Control Panel Customization	<ul style="list-style-type: none"><li>• <b>Home Screen Customization:</b> Add, remove, or reorder the control panel icons on the printer home screen.</li><li>• <b>Quick Sets:</b> Create sets of commonly used job options, which reduces the need to manually configure settings for each job. Quick Sets display on the control panel.</li></ul>
Security	Configure settings to prevent unauthorized use of the printer or specific printer features. For more information, see <a href="#">Security settings</a> .
Email Alerts	Set the default values for the email server, alert destinations, and alert settings.

Item	Description
Print Settings	Configure default settings for printing (such as font, print quality, duplexing, and black-and-white or color printing).
Restore Defaults	Restore the factory defaults or the network settings.
Firewall	Configure firewall settings such as rules, addresses, services, and other options.

## Product security features

- [Security statements](#)
- [Firewall](#)
- [Security settings](#)
- [Firmware updates](#)

### Security statements

This product supports security standards and protocols that help secure the product, protect information on your network, and simplify monitoring and maintenance of the product.

For information about HP's secure imaging and printing solutions, visit the [HP secure printing](#) website. The site provides links to white papers and FAQ documents about security features and may include information about additional security features that are not contained in this document. For information about best practices, see the Security Best Practices document also on this site.

### Firewall

The HP Embedded Web Server allows you to enable and configure product firewall rules, priorities, templates, services, and policies. The firewall feature provides a network layer of security on both IPv4 and IPv6 networks. The firewall configuration capability gives you control over IP addresses that are allowed to access the product. It also lets you set permissions and priorities for management, discovery, and print services. All of this helps provide a more secure way of controlling access to the product.

### Security settings

Use the **Settings** tab of the Embedded Web Server, under **Security**, to ensure the security of the product.

Item	Description
General Security	Set a password to prevent unauthorized users from remotely configuring the printer or viewing printer settings from the EWS.
Administrator Settings	Customize your printer by enabling or disabling features related to network connectivity, printer functions (such as color printing), memory devices, and firmware updates.  <b>NOTE:</b> For security purposes, some features are disabled by default. They must be enabled before you can use them.
Access Control	Enable and configure sign-in methods to control user access to specific printer tasks.
Protect Stored Data	Configure settings to protect jobs stored on the printer from unauthorized users.

## Firmware updates

The printer firmware can be automatically updated. On the **Tools** tab of the Embedded Web Server, click **Printer Updates**, **Firmware Updates**, and then **Install updates automatically**. HP recommends using this option.

## HP Printer Assistant in the printer software (Windows)

The HP Printer Assistant provides access to HP printer features and resources from the Windows programs menu or the desktop icon on your computer.

### Open the HP Printer Assistant

1. On your computer, click **Start**, and then click **All Programs**.
2. Click **HP**, click the name of the product, and then click your printer.

### Features

- [Print tab](#)
- [Shop tab](#)
- [Help tab](#)
- [Tools tab](#)
- [Estimated Levels tab](#)

### Print tab

Use the **Print** tab to view or manage print utilities.

Item	Description
Print	<ul style="list-style-type: none"><li>• <b>See What's Printing:</b> Click to open the print monitor and view, pause, or cancel your print jobs.</li><li>• <b>Customize Your Printer:</b> Click to open your Printing Properties dialog box to change the name, security settings, or other properties of your printer.</li><li>• <b>Printer Home Page (EWS):</b> Click to open the HP Embedded Web Server to configure, monitor, and maintain your printer.</li><li>• <b>Set Preferences:</b> Click to open your Printing Preferences dialog box to view and change defaults for paper size, print quality, and more.</li><li>• <b>Maintain Your Printer:</b> Click to open the Toolbox to align and clean cartridges or print a diagnostic page.</li><li>• <b>Print From Your Mobile Devices:</b> Click to open the <a href="http://www.hp.com/go/mobileprinting">www.hp.com/go/mobileprinting</a> website to learn how to print from your smartphone or tablet. If a local version of this website is not available in your country/region, you might be directed to the HP Mobile Printing site in another country/region or language.</li></ul>

### Shop tab

Use the **Shop** tab to shop for HP supplies online.

## Help tab

Use the **Help** tab to access resources such as online help and HP Eco Solutions.

## Tools tab

Use the **Tools** tab to set and maintain the printer driver and software and to diagnose and resolve printing and connectivity problems.

## Estimated Levels tab

Use the **Estimated Levels** tab to review cartridge levels and to order new cartridges, if needed.

# HP Utility (OS X)

HP Utility contains tools to configure print settings, calibrate the printer, order supplies online, and find website support information.



---

**NOTE:**

- The features available in HP Utility vary depending on the selected printer.
  - Cartridge level warnings and indicators provide estimates for planning purposes only. When you receive a low-cartridge warning message, consider having a replacement cartridge available to avoid possible printing delays. You do not need to replace cartridges until the print quality becomes unacceptable.
  - For security purposes, some functions are disabled by default. They must be enabled before you can use them.
- 

## Open HP Utility

- ▲ Double-click **HP Utility** in the **HP** folder, in the **Applications** folder.

# AirPrint™ (OS X)

Your product supports printing with Apple's AirPrint for iOS 4.2 and Mac OS X v10.10 or later. Use AirPrint to print wirelessly to the printer from an iPad (iOS 4.2), iPhone (3GS or later), or iPod touch (third generation or later).

For more information, see [Print with AirPrint \(OS X\)](#).

# 4 Paper and print media

- [Understand paper use](#)
- [Supported media sizes](#)
- [Supported paper types, tray capacities, and orientations](#)
- [Configure trays](#)
- [Load media](#)
- [Tips for selecting and using paper](#)

## Understand paper use

HP PageWide cartridges for business are specifically developed for use with HP printheads. Unique formulations help extend the life of the printheads and enhance reliability. When used with ColorLok® paper, these cartridges provide laser-like color output that dries quickly and is ready for distribution.

 **NOTE:** Based on HP internal testing using a range of plain papers, HP highly recommends using papers with the ColorLok® logo for this product. For details, visit the [HP print permanence](#) website.



This product supports a variety of paper and other print media. Paper or print media that does not meet the following guidelines might cause poor print quality, increased jams, and premature wear on the product.

It is possible for paper to meet all of these guidelines and still not produce satisfactory results. This might be the result of improper handling, unacceptable temperature and/or humidity levels, or other variables over which HP has no control.

**NOTICE:** Using paper or print media that does not meet HP specifications might cause problems for the product, requiring repair. This repair is not covered by the HP warranty or service agreements.

Use the following guidelines to obtain satisfactory results when using special paper or print media. Set the paper type and size in the printer driver to obtain the best results.

Media type	Do	Do not
Envelopes	<ul style="list-style-type: none"><li>• Store envelopes flat.</li><li>• Use envelopes where the seam extends all the way to the corner of the envelope.</li></ul>	<ul style="list-style-type: none"><li>• Do not use envelopes that are wrinkled, nicked, stuck together, or otherwise damaged.</li><li>• Do not use envelopes that have clasps, snaps, windows, or coated linings.</li></ul>
Labels	<ul style="list-style-type: none"><li>• Orient the label media according to the label manufacturer's guidelines. In most cases, this means feeding label media short edge first, even if the tray allows long-edge feeding.</li></ul>	<ul style="list-style-type: none"><li>• Do not use labels that have wrinkles or bubbles, or are damaged.</li><li>• Do not print partial sheets of labels.</li></ul>

Media type	Do	Do not
	<ul style="list-style-type: none"> <li>Use fresh labels. Old labels are more likely to delaminate during printing.</li> <li>Use only labels that have no exposed backing between them.</li> <li>Use labels that lie flat.</li> <li>Use only full sheets of labels.</li> </ul>	
Letterhead or preprinted forms	<ul style="list-style-type: none"> <li>Use only paper that is approved for use in HP PageWide products.</li> </ul>	<ul style="list-style-type: none"> <li>Do not use raised or metallic letterhead.</li> </ul>
Heavy paper	<ul style="list-style-type: none"> <li>Use only heavy paper that is approved for use in HP PageWide products and meets the weight specifications for this product.</li> </ul>	<ul style="list-style-type: none"> <li>Do not use paper that is heavier than the recommended media specification for this product unless it is HP paper that has been approved for use in this product.</li> </ul>
Glossy or coated paper	<ul style="list-style-type: none"> <li>Use only glossy or coated paper that is approved for use in HP PageWide products.</li> </ul>	<ul style="list-style-type: none"> <li>Do not use glossy or coated paper designed for use in laser products.</li> </ul>

**NOTICE:** Do not use any media that contains staples or paper clips.

## Supported media sizes

The product comes with Trays 1 and 2. You can add one of the following lower trays as an optional accessory:

Lower 550-sheet trays:

- 550-sheet tray
- 550-sheet tray and stand
- 3x550-sheet tray and stand

HCI trays:

- 4000-sheet high-capacity input trays and stand

For each tray, use the appropriate paper and media sizes:

- [Supported paper and print media sizes](#)
- [Supported envelope sizes \(Tray 1 only\)](#)
- [Supported card sizes](#)
- [Supported label sizes](#)
- [Supported photo media sizes](#)

## Supported paper and print media sizes

Size	Dimensions - mm (in)	Tray 1	Tray 2	Lower 550-sheet trays	HCI trays	Automatic two-sided printing
Letter	216 x 279 (8.5 x 11)	✓	✓	✓	✓	✓
Legal	216 x 356 (8.5 x 14)	✓	✓	✓		✓



Size	Dimensions - mm (in)	Tray 1	Tray 2	Lower 550-sheet trays	HCI trays	Automatic two-sided printing
Executive	184 x 267 (7.25 x 10.5)	✓	✓	✓		✓
Statement	140 x 216 (5.5 x 8.5)	✓				✓
Oficio 8.5 x 13 in	216 x 330 (8.5 x 13)	✓	✓	✓		✓
Oficio 216 x 340 mm	216 x 340 (8.5 x 13.4)	✓	✓	✓		✓
11 x 17 in	279 x 432 (11 x 17)	✓	✓	✓		✓
12 x 18 in	305 x 457 (12 x 18)	✓				
A3	297 x 420 (11.7 x 16.5)	✓	✓	✓		✓
A4	210 x 297 (8.27 x 11.7)	✓	✓	✓	✓	✓
A5	148 x 210 (5.83 x 8.27)	✓	✓	✓		✓
A6	105 x 148 (4.13 x 5.83)	✓				✓
RA3	305 x 430 (12 x 16.9)	✓				✓
RA4	215 x 305 (8.5 x 12)	✓	✓	✓		✓
SRA4	225 x 320 (8.9 x 12.6)	✓	✓	✓		✓
B4 (JIS)	257 x 364 (10.12 x 14.33)	✓	✓	✓		✓
B5 (JIS)	182 x 257 (7.17 x 10.12)	✓	✓	✓		✓
B6 (JIS)	128 x 182 (5.04 x 7.17)	✓				✓
10 x 15 cm	101.6 x 152.4 (4 x 6)	✓				✓
4 x 6 in	102 x 152 (4 x 6)	✓				✓
5 x 7 in	127 x 178 (5 x 7)	✓				✓
5 x 8 in	127 x 203 (5 x 8)	✓				✓
Japanese Postcard	100 x 148 (3.94 x 5.83)	✓				✓
Double Japan Postcard Rotated	148 x 200 (5.83 x 7.87)	✓				✓
8k	260 x 368 (10.24 x 14.49)	✓	✓	✓		✓
	270 x 390 (10.63 x 15.35)	✓	✓	✓		✓
	273 x 394 (10.75 x 15.51)	✓	✓	✓		
16k	184 x 260 (7.24 x 10.24)	✓	✓	✓		
	195 x 270 (7.68 x 10.63)	✓	✓	✓		
	197 x 273 (7.76 x 10.75)	✓	✓	✓		✓
Custom sizes - mm (in)		100 to 304.8 (3.94 to 12) x 148 to 457.2 (5.83 to 18)	210 to 297 (8.27 to 11.69) x 148 to 431.8 (5.83 to 17)	210 to 297 (8.27 to 11.69) x 148 to 431.8 (5.83 to 17)	279.4 to 297 (11 to 11.69) x 210 to 216 (8.27 to 8.5)	✓

## Supported envelope sizes (Tray 1 only)

Size	Dimensions - mm (in)
Envelope #9	98.4 x 225.4 (3.875 x 8.875)
Envelope #10	104.8 x 241.3 (4.125 x 9.5)
Monarch	98.4 x 190.5 (3.875 x 7.5)
Envelope B5	176 x 250 (6.9 x 9.8)
Envelope C5	162 x 229 (6.4 x 9)
Envelope C6	114 x 162 (4.5 x 6.4)
Envelope DL	110 x 220 (4.33 x 8.66)
Japanese Envelope Chou #3	120 x 235 (4.75 x 9.25)

## Supported card sizes

Size	Dimensions - mm (in)	Tray 1	Tray 2	Lower 550-sheet trays	HCI trays	Automatic two-sided printing
4 x 6 in	102 x 152 (4 x 6)	✓				✓
5 x 8 in	127 x 203 (5 x 8)	✓				✓
A6	105 x 148.5 (4.13 x 5.83)	✓				✓
Japanese Postcard	100 x 148 (3.94 x 5.83)	✓				✓
Double Japan Postcard Rotated	148 x 200 (5.83 x 7.87)	✓				✓
Custom sizes - mm (in)		100 to 304.8 (3.94 to 12) x 148 to 457.2 (5.83 to 18)	210 to 297 (8.27 to 11.69) x 148 to 431.8 (5.83 to 17)	210 to 297 (8.27 to 11.69) x 148 to 431.8 (5.83 to 17)	279.4 to 297 (11 to 11.69) x 210 to 216 (8.27 to 8.5)	✓

## Supported label sizes



**NOTE:** Orient the label media according to the label manufacturer's guidelines. In most cases, this means feeding label media short edge first, even if the tray allows long-edge feeding.


Size	Dimensions - mm (in)	Tray 1	Tray 2	Lower 550-sheet trays	HCI trays
Letter	216 x 279 (8.5 x 11)	✓	✓	✓	
A4	210 x 297 (8.3 x 11.7)	✓	✓	✓	

## Supported photo media sizes

Size	Dimensions - mm (in)	Tray 1	Tray 2	Lower 550-sheet trays	HCI trays
4 x 6 in	102 x 152 (4 x 6)	✓			
10 x 15 cm	101.6 x 152.4 (4 x 6)	✓			
5 x 7 in	127 x 178 (5 x 7)	✓			
Japanese Postcard	100 x 148 (3.94 x 5.83)	✓			
Custom sizes - mm (in)		100 to 304.8 (3.94 to 12) x 148 to 457.2 (5.83 to 18)	210 to 297 (8.27 to 11.69) x 148 to 431.8 (5.83 to 17)	210 to 297 (8.27 to 11.69) x 148 to 431.8 (5.83 to 17)	279.4 to 297 (11 to 11.69) x 210 to 216 (8.27 to 8.5)

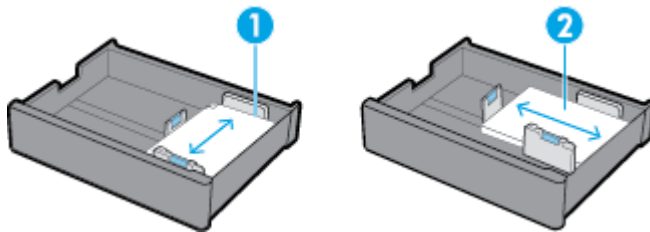
## Supported paper types, tray capacities, and orientations

For best results, use the appropriate paper types, tray capacities, and orientations.

 **NOTE:** Capacity can vary depending on paper weight and thickness, and environmental conditions.

### Orientation

Some media sizes, such as Letter and A4, can fit into the trays in two ways: (1) long edge to the side (also known as portrait orientation), or (2) long edge to the back (landscape orientation).



 **TIP:**

- Portrait (1) is the preferred orientation. If possible, load media with the long edge to the side of the tray.
- When a tray runs out of media during a print job, the product does not automatically print from another tray if the orientation is different. Instead, it pauses the print job and prompts you to load media into the empty tray.
- When a tray runs out of media, be sure to reload it using the same orientation as before.

### Paper types and tray capacities

The tray capacities are approximations that are based on a standardized media weight of 20-lb bond paper. Heavier paper will reduce tray capacity.

Paper type	Tray 1	Tray 2	Lower 550-sheet trays	HCI trays
60 to 175 g/m <sup>2</sup> (16 to 47 lb):	Up to 100 sheets	Up to 550 sheets	Up to 550 sheets per tray	Up to 2000 sheets per tray
<ul style="list-style-type: none"> <li>• Unspecified and Plain</li> <li>• HP EcoFFICIENT</li> </ul>				

Paper type	Tray 1	Tray 2	Lower 550-sheet trays	HCI trays
<ul style="list-style-type: none"> <li>Letterhead</li> <li>Preprinted</li> <li>Prepunched</li> <li>Light 60-74g</li> <li>Intermediate 85-95g</li> <li>Mid-Weight 96-110g</li> <li>Heavy 111-130g</li> <li>HP Premium Presentation Matte 120g</li> <li>Extra Heavy 131-175g</li> <li>Colored</li> <li>Bond</li> <li>Recycled</li> <li>Rough</li> </ul>				
<ul style="list-style-type: none"> <li>HP Brochure Matte 180g</li> <li>HP Brochure Glossy</li> </ul>	Up to 50 sheets	Up to 300 sheets	Up to 300 sheets per tray	Up to 2000 sheets (20-lb media) per tray
<ul style="list-style-type: none"> <li>Cardstock 176-220g</li> <li>HP Advanced Photo Papers</li> </ul>	Up to 40 sheets	Up to 220 sheets	Up to 220 sheets per tray	Up to 2000 sheets (20-lb media) per tray
<ul style="list-style-type: none"> <li>Envelope</li> <li>Heavy Envelope</li> </ul>	Up to 14 envelopes	N/A	N/A	N/A

## Configure trays

Tray configuration on the control panel typically occurs during initial setup. Correct tray management is essential for making the best use of the product. It is advisable to verify that the configuration settings are correct if printing issues occur.

[Solve a tray configuration problem.](#)

Use an HP online troubleshooting wizard.


Get step-by-step instructions if the printer does not use the tray you want.



**NOTE:** The HP online troubleshooting wizards may not be available in all languages.

## Guidelines

- To avoid paper jams, load only the supported media sizes and types in each tray.  
For more information, see [Supported media sizes](#) and [Supported paper types, tray capacities, and orientations](#).
- Make sure to adjust the paper guides to align with the media stack. The paper guides help the product to identify the media size.

- On the product control panel, verify that the media size and type match the media loaded in each tray. To access the printer configuration screens, open the dashboard, touch  (Tray Configuration/Setup), and select the screen you need.
- When you print, remember to select the correct tray settings in the printer software for the intended print job.

## Examples

This table describes the correct settings, for the printer software and printer configuration, of some common print jobs.

I want to...	Follow these steps	The product then does this...
Set the product to automatically select the correct tray.	<ul style="list-style-type: none"> <li>• Do one of the following: <ul style="list-style-type: none"> <li>— <b>Windows:</b> Under <b>Paper Source</b>, select <b>Printer Auto Select</b>.</li> <li>— <b>OS X:</b> Under <b>Paper Feed</b>, select <b>Auto Select</b>.</li> </ul> </li> </ul> <p>Then, select the correct media size and type for the print job.</p> <ul style="list-style-type: none"> <li>• Printer configuration: Under <b>Settings</b>, on the <b>Paper Setup</b> screen, the media size and type for each tray must match what is actually loaded in the tray.</li> </ul>	<p>Queries the trays and selects the first one with the correct media size and type, starting with the default tray.</p> <p>If Tray 1 contains media and its tray configuration is set to <b>Any Size</b> and <b>Any Type</b>, the product prints to this tray first.</p>
Print from Tray 1.	<ul style="list-style-type: none"> <li>• Do one of the following: <ul style="list-style-type: none"> <li>— <b>Windows:</b> Under <b>Paper Source</b>, select <b>Printer Auto Select</b>.</li> <li>— <b>OS X:</b> Under <b>Paper Feed</b>, select <b>Auto Select</b>.</li> </ul> </li> <li>• Printer configuration: Under <b>Settings</b>, on the <b>Paper Setup</b> screen, for Tray 1 <b>Paper Size</b> must be set to <b>Any Size</b>, and <b>Paper Type</b> must be set to <b>Any Type</b>.</li> </ul>	<p>Prints from Tray 1 until the tray is empty. It then queries the other trays and prints from the first one with the correct media size and type.</p>
Send a job to the printer, which waits until media is loaded into Tray 1.	<ul style="list-style-type: none"> <li>• Printer software: Select <b>Manual Feed</b>.</li> <li>• Printer configuration: Under <b>Settings</b>, on the <b>Tray Management</b> screen, <b>Manually Feed Prompt</b> must be set to <b>Always</b>.</li> </ul>	<p>Displays a message, prompting you to load the correct media into that tray. After you load the media, the product prints only after you touch <b>OK</b>.</p>
Print to a specific tray only.	<ul style="list-style-type: none"> <li>• Printer software: Select the tray you want.</li> <li>• Printer configuration: Under <b>Settings</b>, on the <b>Tray Management</b> screen, <b>Use Requested Tray</b> must be set to <b>Exclusive</b>.</li> </ul>	<p>Prints the job to the selected tray if the media size and type match.</p> <p>If they do not match, the control panel displays a message, prompting you to load media into that tray that matches the media size and type selected for the print job in the printer software.</p> <p>After the correct media is loaded, the printer automatically updates the tray configuration settings of media size and type to match the print job and prints.</p>
Print to a specific tray if the media size and type match; if they do not match, print to another tray.	<ul style="list-style-type: none"> <li>• Printer software: Select the tray you want.</li> <li>• Printer configuration: Under <b>Settings</b>, on the <b>Tray Management</b> screen, <b>Use Requested Tray</b> must be set to <b>First</b>.</li> </ul>	<p>Prints the job to the selected tray if the media size and type match. If they do not match, the product queries the other trays and prints from the first one with the correct media size and type.</p>

For more information about printer software settings, see [To print from a computer \(Windows\)](#) or [To print from a computer \(OS X\)](#).

## Load media

This section describes how to load portrait-oriented paper into a tray for one-sided printing, which is the factory default. Not all of the following trays or features may be available for your product:

- [Load Tray 1](#)
- [Load Tray 2](#)
- [Load lower 550-sheet trays](#)
- [Load HCI trays](#)
- [Load envelopes](#)
- [Load letterhead or preprinted forms](#)

### Load Tray 1

Tray 1 is the multipurpose tray at the left side of the product.

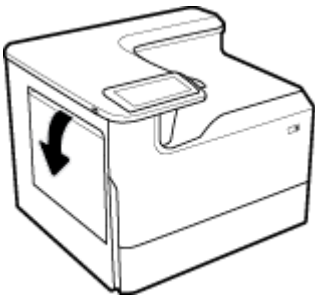


**NOTE:** If you are not using Alternate Letterhead Mode (ALM), place the paper as follows for one-sided printing:

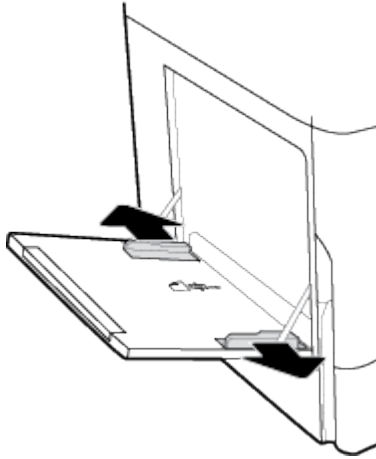
- **A4/Letter sized:** Place portrait-oriented paper with the side to be printed on face-down, with the top edge toward the back of the tray.
- **A3/Ledger sized:** Place landscape-oriented paper with the side to be printed on face-down, with the top edge toward the left.

For ALM orientation, see [Load letterhead or preprinted forms](#).

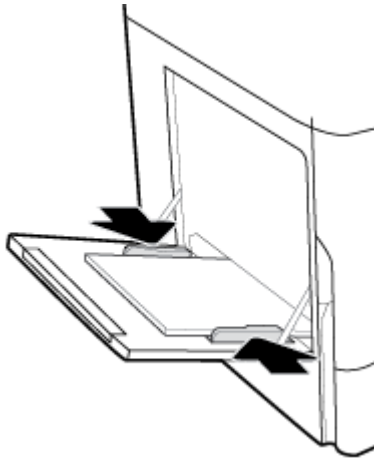
1. Open Tray 1.



2. Open the paper guides completely, and then load the paper.




3. Close the paper guides against the loaded media.



## Load Tray 2

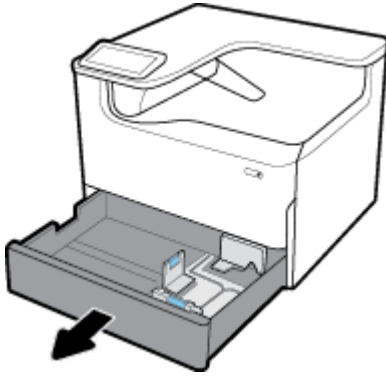
This is the default tray. When loading paper into the product for the first time, load the default tray first.

 **NOTE:** If you are not using Alternate Letterhead Mode (ALM), place the paper as follows for one-sided printing:

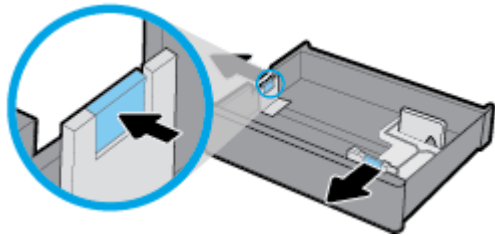
- **A4/Letter sized:** Place portrait-oriented paper with the side to be printed on face-down, with the top edge toward the back of the tray.
- **A3/Ledger sized:** Place landscape-oriented paper with the side to be printed on face-down, with the top edge toward the left.

For ALM orientation, see [Load letterhead or preprinted forms](#).

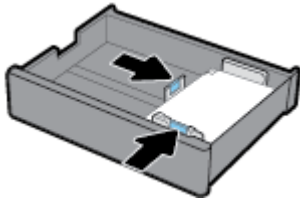
1. Pull the tray out of the product.



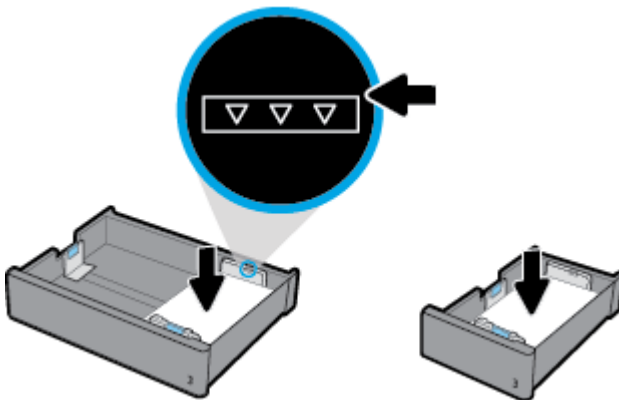
2. Open the paper length and width guides completely.



3. Place the paper in the tray and make sure that it is flat at all four corners. Close the length and width paper guides against the loaded media.

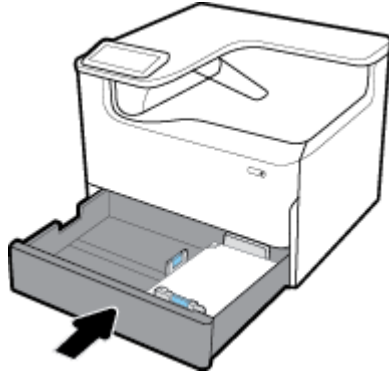


4. Push down the paper to make sure that the stack is below the stack-height indicator on the back of the tray.





5. Put the tray into the product.



## Load lower 550-sheet trays

The product may include one of the following lower trays, either as a standard feature or an optional accessory:

- 550-sheet tray (shown)
- 550-sheet tray and stand
- 3x550-sheet tray and stand




To load media into these trays, follow the instructions for [Load Tray 2](#).

## Load HCI trays

You can add the 4000-sheet high-capacity input trays and stand to the product as an optional accessory.

---

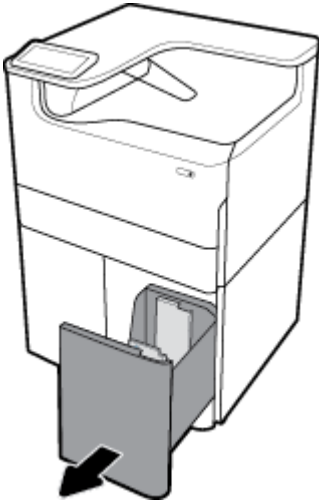
 **NOTE:** If you are not using Alternate Letterhead Mode (ALM), place the paper as follows for one-sided printing:

- **A4/Letter sized:** Place portrait-oriented paper with the side to be printed on face-down, with the top edge toward the back of the tray.

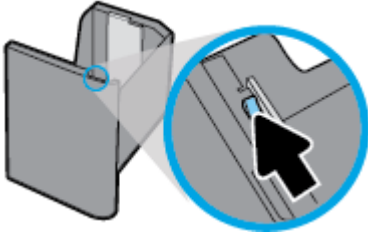
For ALM orientation, see [Load letterhead or preprinted forms](#).

---

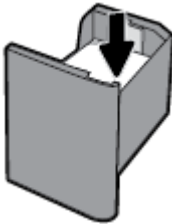
1. Pull the tray out of the product.



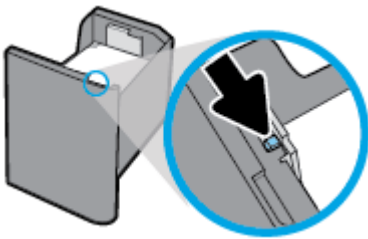
2. Open the paper length guide completely.



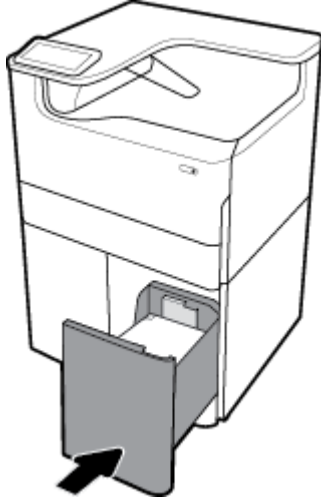
3. Place the paper in the tray and make sure that it is flat at all four corners.



4. Close the length paper guide against the loaded media.



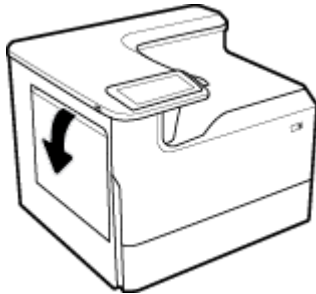
5. Put the tray into the product.



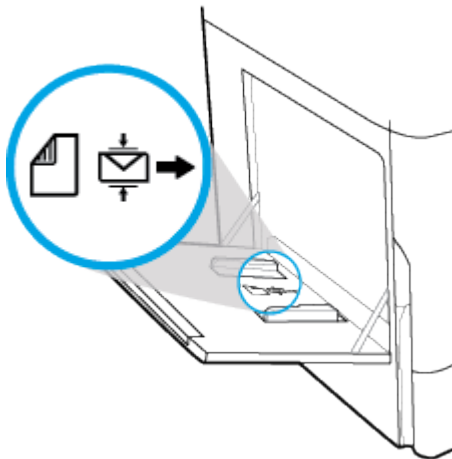
## Load envelopes

You can load envelopes only into Tray 1.

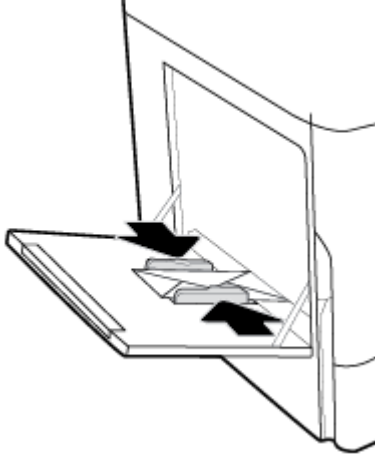
1. Open Tray 1.



2. According to the media mark on the tray, place envelopes in Tray 1 face-down, with the top of the envelope oriented toward the back of the printer.




3. Close the paper guides.




## Load letterhead or preprinted forms

You can load letterhead, preprinted, or prepunched forms into any tray. Paper orientation depends on whether you are printing in one-sided or two-sided mode. If Alternative Letterhead Mode (ALM) is enabled, you can print in both one-sided and two-sided modes without reorienting the paper.

### To enable or disable ALM from the control panel

1. Open the control panel dashboard (swipe the dashboard tab at the top of any screen downward, or touch the strip at the top of the home screen).
2. On the control panel dashboard, touch  (Setup).
3. Touch [Tray and Paper Management](#), and then touch [Alternative Letterhead Mode](#) and turn it on or off.

### To enable or disable ALM from the EWS

1. Type the product IP address into the address box of a web browser to open the EWS. (To obtain the product IP, on the control panel dashboard, touch  [Ethernet].)
2. Click the **Settings** tab.
3. Click **Preferences**, and then click **Tray and Paper Management**.
4. In the **Alternative Letterhead Mode** section, select **Enabled** or **Disabled**.
5. Click **Apply**.

### To load letterhead or preprinted forms with ALM enabled

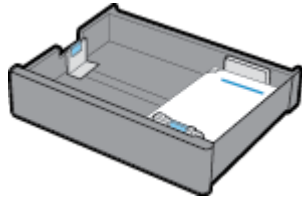


---

**NOTE:** With ALM enabled, you must select [Letterhead](#), [Preprinted](#), or [Prepunched](#) in the tray configuration settings in the product control panel.

---

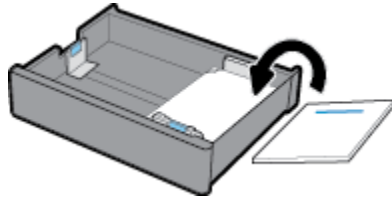
1. Load the A4/Letter-sized media face-up in the tray, with the top of the form to the back of the tray and the long edges to the side.



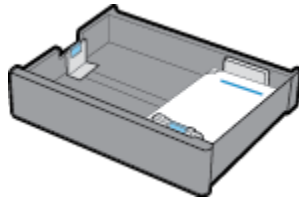
2. Complete the steps in [Load Tray 1](#), [Load Tray 2](#), [Load lower 550-sheet trays](#), or [Load HCl trays](#).

### To load letterhead or preprinted forms with ALM disabled

1. Orient the paper as follows for one-sided or two-sided print jobs:
  - One-sided: Load the A4/Letter-sized media face-down in the tray, with the top of the form to the back of the tray and the long edges to the side.



- Two-sided: Load the A4/Letter-sized media face-up in the tray, with the top of the form to the back of the tray and the long edges to the side.



2. Complete the steps in [Load Tray 1](#), [Load Tray 2](#), [Load lower 550-sheet trays](#), or [Load HCl trays](#).

## Tips for selecting and using paper

For the best results, observe the following guidelines:

- To prevent jams, poor print quality, and other printing problems, avoid loading the following paper in the tray:
  - Multipart forms
  - Media that is damaged, curled, or wrinkled
  - Media with cutouts or perforations
  - Media that is heavily textured, embossed, or otherwise difficult to print on
  - Media that is too lightweight or stretches easily
  - Media that contains staples or clips
- Load a stack of paper (not just one page). All the paper in the stack should be of the same size and type to avoid a paper jam.
- Load only one type of paper at a time into the tray.
- Load only one size of media at a time into a tray.

- Make sure the paper is loaded correctly when loading from the tray.
- Ensure that the loaded paper lays flat and the edges are not bent or torn.
- Do not overload the tray.
- Adjust the paper-width guides so they fit snugly against the paper. Make sure the guides do not bend the loaded paper.

---

# 5 Cartridges

- [HP PageWide cartridges](#)
- [Manage cartridges](#)
- [Replace cartridges](#)
- [Tips for working with cartridges](#)

## HP PageWide cartridges

- [HP policy on non-HP cartridges](#)
- [Counterfeit HP cartridges](#)

### HP policy on non-HP cartridges



#### IMPORTANT:

- HP does not guarantee the quality or reliability of non-HP contents in HP cartridges.
- HP's cartridge warranty does not cover non-HP cartridges or cartridges with non-HP contents.
- HP's printer warranty does not cover repairs or service due to use of non-HP cartridges or cartridges with non-HP contents.



#### NOTE:

- This printer is not designed to use continuous ink systems. To resume printing, remove the continuous ink system and install original HP (or compatible) cartridges.
- This printer is designed for cartridges to be used until they are empty. Refilling cartridges before they are depleted might cause your printer to fail. If this happens, insert a new cartridge (either genuine HP or compatible) to continue printing.

### Counterfeit HP cartridges

Your cartridge might not be a genuine HP cartridge if you notice the following:

- The control panel or printer status report indicates that a used or counterfeit cartridge is installed.
- You are experiencing a high number of problems with the cartridge.
- The cartridge does not look like it usually does (for example, the packaging differs from HP packaging).

Visit the [www.hp.com/go/anticounterfeit](http://www.hp.com/go/anticounterfeit) website when you install an HP print cartridge and the control panel message says the cartridge is used or counterfeit. HP will help resolve the problem.

## Manage cartridges

Correctly storing, using, and monitoring cartridges can help ensure high-quality print output and extend the life of cartridges.

- [Store cartridges](#)

- [Print with General Office mode](#)
- [Print when a cartridge is at estimated end of life](#)
- [Check the estimated cartridge levels](#)
- [Order cartridges](#)
- [Recycle cartridges](#)

## Store cartridges

- Do not remove the cartridge from its package until you are ready to use it.
- Store cartridges at room temperature (15-35° C or 59-95° F) for at least 12 hours before using them.
- Handle cartridges carefully. Dropping, jarring, or rough handling during installation can cause temporary printing problems.

## Print with General Office mode

General Office mode produces slightly lighter printouts, which might extend the life of the cartridge.

1. On the **File** menu in the software program, click **Print**.
2. Make sure your printer is selected.
3. Do one of the following:
  - **Windows:** Click the link or button that opens the **Properties** dialog box.  
Depending on your software application, this link or button might be called **Properties**, **Options**, **Printer Setup**, **Printer Properties**, **Printer**, or **Set Preferences**.
  - **OS X:** From the pop-up menu, select **Copies & Pages**.
4. Click the **Paper/Quality** tab.
5. Select **General Office** from the **Print Quality** drop-down list (Windows) or pop-up menu (OS X).

## Print when a cartridge is at estimated end of life

Supply-related notifications are communicated on the printer control panel.

- **Cartridge Low** message appears when a cartridge will need to be replaced soon. Printing can continue, but consider having a replacement cartridge on hand. You do not need to replace the cartridge until prompted to.
- **Cartridge Very Low** message appears when the cartridge is depleted and can be replaced now. The printer is using its reserves to print. See the product control panel for the approximate number of pages you can print using these reserves.
- **Cartridge Depleted** message appears when the cartridge is depleted and must be replaced before printing can continue. Installing a new cartridge will replenish its reserves.

## Check the estimated cartridge levels


You can check the estimated cartridge levels from the printer control panel or from the printer software.



**NOTE:**

- If you have installed a refilled or remanufactured cartridge, or a cartridge that has been used in another printer, the cartridge level indicator might be inaccurate or unavailable.
- Cartridge-level alerts and indicators provide estimates for planning purposes only. When you receive a low-cartridge alert, consider having a replacement cartridge available to avoid possible printing delays. You do not need to replace the cartridges until you are prompted to.
- Cartridges are used in the printing process in a number of different ways. These include the initialization process, which prepares the printer and cartridges for printing, and printhead servicing, which keeps the cartridges printing smoothly. Some residual is left in a cartridge after it is used. For more information, visit the [www.hp.com/buy/supplies](http://www.hp.com/buy/supplies) website.

**To check the cartridge levels from the control panel**

1. Open the control panel dashboard (swipe the dashboard tab at the top of any screen downward, or touch the strip at the top of the home screen).
2. On the control panel dashboard, touch  (**Estimated Cartridge Levels**) to display the estimated cartridge levels.

**To check the cartridge levels from the EWS**

1. Open the EWS. For more information, see [Open the EWS](#).
2. Click the **Tools** tab, and then click **Supply Status**.

**To check the cartridge levels from the product software (Windows)**

1. Open the HP Printer Assistant. For more information, see [Open the HP Printer Assistant](#).
2. On the **Print** tab, click **Maintain Your Printer**.
3. Click the **Estimated Cartridge Levels** tab.

**To check the cartridge levels from the product software (OS X)**

1. Open HP Utility. For more information, see [Open HP Utility](#).
2. Make sure your printer is selected.
3. Click **Supplies Status**.

The estimated cartridge levels appear.

**Order cartridges**

To order cartridges, visit [www.hp.com](http://www.hp.com). (At this time, some portions of the HP website are available in English only.) Ordering cartridges online is not supported in all countries/regions. However, many countries have information on ordering by telephone, locating a local store, and printing a shopping list. In addition, you can visit [www.hp.com/buy/supplies](http://www.hp.com/buy/supplies) to obtain information about purchasing HP products in your country.

Use only the replacement cartridges that have the same cartridge number as the cartridge you are replacing. You can find the cartridge number in the following places:

- On the label of the cartridge you are replacing.
- On a sticker inside the printer. Open the cartridge access door to locate the sticker.

- In the printer software, open the HP Printer Assistant, click **Shop**, and then click **Shop For Supplies Online**.
- In the HP Embedded Web Server, click the **Tools** tab and then, under **Product Information**, click **Supply Status**. For more information, see [HP Embedded Web Server](#).

 **NOTE:** The SETUP cartridge that comes with the printer is not available for separate purchase.

## Recycle cartridges

Visit <http://hp.com/recycle> for full information on recycling and to order postage-paid labels, envelopes, and boxes for recycling.

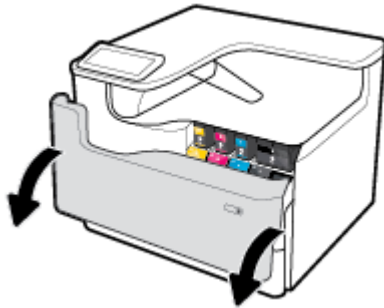
## Replace cartridges

The product uses four colors and has a different cartridge for each color: yellow (Y), magenta (M), cyan (C), and black (K).

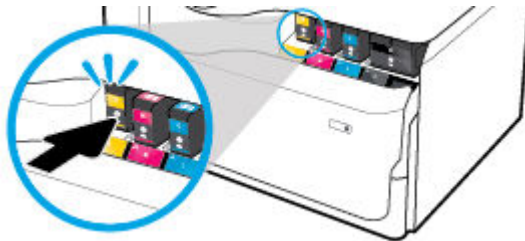
### NOTICE:

- To prevent print-quality problems, HP recommends replacing any missing cartridges with genuine HP cartridges as soon as possible. For more information, see [Order cartridges](#).
- Never turn off the printer if any cartridges are missing.

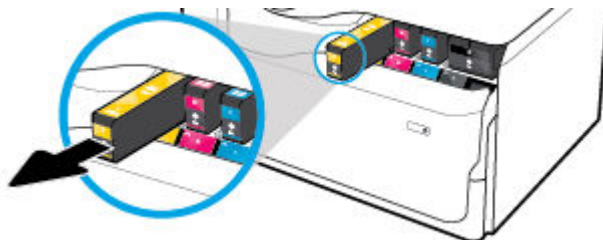
1. Open the cartridge door.



2. Push the old cartridge inward to unlock and release it.



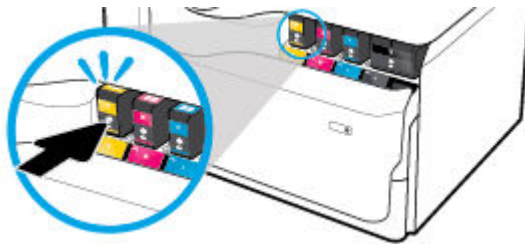
3. Grasp the edge of the old cartridge and then pull the cartridge straight out to remove it.



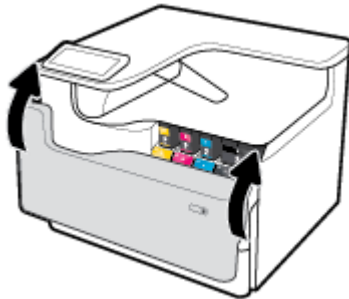
4. Do not touch the metal contacts on the cartridge. Fingerprints on the contacts can cause connection errors.



5. Insert the new cartridge into its slot.



6. Close the cartridge door.



## Tips for working with cartridges

Use the following tips to work with cartridges:

- Use Original HP cartridges.

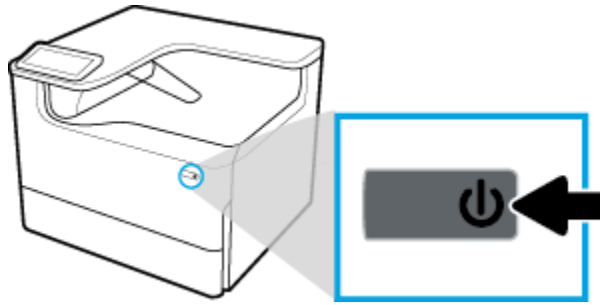
Original HP cartridges are designed and tested with HP printers and papers to help you easily produce great results, time after time.



**NOTE:** HP cannot guarantee the quality or reliability of non-HP cartridges. Product service or repairs required as a result of using a non-HP cartridge will not be covered under warranty.

If you believe you purchased Original HP cartridges, visit [www.hp.com/go/anticounterfeit](http://www.hp.com/go/anticounterfeit).

- To prevent print-quality problems, do the following:
  - Always turn the printer off using the power button on the front, and wait until the power button light goes out.



— Make sure that all the cartridge slots are filled.

- If the print quality is unacceptable, see [Improve print quality](#) for more information.
- If you remove a cartridge from the printer for any reason, try to replace it again as soon as possible.
- Do not open or unpackage cartridges until you are ready to install them.
- Insert the cartridges into the correct slots. Match the color and icon of each cartridge to the color and icon for each slot. Make sure the cartridges snap into place.
- Check the estimated cartridge levels to make sure there is sufficient supply.

Supply level warnings and indicators provide estimates for planning purposes only.

For more information, see [Check the estimated cartridge levels](#).



**NOTE:** When you receive a low-cartridge warning message, consider having a replacement cartridge available to avoid possible printing delays. You do not need to replace the cartridges until prompted to.

- Do not clean the printhead unnecessarily. This shortens the life of the cartridges.
- If you are transporting the printer, do the following to prevent leaking from the printer or other damage from occurring.
  - Make sure you turn off the printer by pressing the power button in the front. Wait until all sounds of internal motion stop before unplugging the printer.
  - Make sure you leave the cartridges installed.
  - The printer must be transported sitting flat; it should not be placed on its side, back, front, or top.
  - Keep printer upright after installing cartridges to prevent damage. Do not ship printer by air after cartridges have been installed.

---

# 6 Print

- [Print from a computer](#)
- [Print from the control panel](#)
- [Print with NFC](#)
- [Print with AirPrint \(OS X\)](#)
- [Tips for print success](#)

## Print from a computer

- [To print from a computer \(Windows\)](#)
- [To print from a computer \(OS X\)](#)
- [To set up printing shortcuts \(Windows\)](#)
- [To set up printing presets \(OS X\)](#)
- [To adjust or manage colors](#)

### To print from a computer (Windows)

These instructions apply to printing on various media including the following:

---

• Plain paper	• Envelopes	• Brochures
• Letterhead or preprinted forms	• Photos	• Labels

---

### To print from a computer (Windows)

1. Load the supported media in the correct tray.  
For more information, see [Load media](#).
2. On the **File** menu in the software program, click **Print**.
3. Make sure your printer is selected.
4. Click the link or button that opens the **Properties** dialog box.

Depending on your software application, this link or button might be called **Properties** , **Options** , **Printer Setup** , **Printer Properties** , **Printer** , or **Set Preferences** .

5. Set the correct print options for your media. The following table describes the tabs and options that might be available in your software program:

---


Tab	Description
Printing Shortcuts	A printing shortcut stores the settings that are appropriate for a particular kind of job, so that you can set all the options with a single click.

---

Tab	Description
Paper/Quality	<p>This tab displays the current printing shortcuts and their settings, such as paper type, paper source, and color or grayscale.</p>
Paper/Quality	<p>This tab contains settings that define the type of print job. For example, printing on envelopes requires different size, source, and type of paper than printing on plain paper.</p> <p>You can select from the following options:</p> <ul style="list-style-type: none"> <li>• <b>Paper size:</b> Includes Letter, Envelope #10, and Japanese Envelope Chou #3.</li> <li>• <b>Paper source:</b> Includes Printer Auto Select, Manual Feed, Tray 1, and Tray 2.</li> <li>• <b>Paper type:</b> Includes Plain, Letterhead, Preprinted, Envelope, HP Advanced Photo Papers, HP Brochure Matte 180g, and Labels.</li> </ul> <p><b>NOTE:</b> If Alternative Letterhead Mode (ALM) is enabled, and you are printing on letterhead, preprinted, or prepunched forms, select Letterhead, Preprinted, or Prepunched as the paper type. For more information, see <a href="#">Load letterhead or preprinted forms</a>.</p> <ul style="list-style-type: none"> <li>• <b>Special pages:</b> Includes front and back covers, blank sheets, and preprinted sheets.</li> <li>• <b>Print quality:</b> Includes Presentation (for high-quality jobs) and Professional (for everyday jobs).</li> </ul> <p><b>NOTE:</b> You cannot print envelopes or labels in General Office mode.</p>
Effects	<p>This tab contains settings that temporarily affect the presentation of the print job:</p> <ul style="list-style-type: none"> <li>• <b>Resizing options:</b> Includes actual size, a percentage of actual, or scaled to a specific media size such as Letter or Envelope #10.</li> <li>• <b>Watermarks:</b> Includes Confidential and Draft.</li> </ul>
Finishing	<p>This tab contains settings that influence the output of the print job:</p> <ul style="list-style-type: none"> <li>• <b>Print on both sides:</b> Print on one side or both sides. When this option is selected, additional options are available: <ul style="list-style-type: none"> <li>— Depending on paper orientation, you can flip pages up for short-edge binding (for example, calendars) or long-edge binding (such as for books).</li> <li>— For booklet layouts, you can print with room for binding on the left, right, or neither side.</li> </ul> </li> <li>• <b>Pages per sheet:</b> Print more than one page per sheet, with the option to print borders around each page.</li> <li>• <b>Orientation:</b> Includes Portrait and Landscape.</li> </ul>
Job Storage	<p>This tab contains settings for printing a stored job from the control panel. Only one setting is described here:</p> <ul style="list-style-type: none"> <li>• <b>Off</b> (default): Prints a job without storing it on the printer.</li> </ul> <p>For information about the other settings, see <a href="#">Print using job storage</a>.</p>
Color	<p>This tab contains settings for printing in color or grayscale:</p> <ul style="list-style-type: none"> <li>• <b>Print in Grayscale:</b> Print in black only, or high-quality CMYK grayscale (which uses the color cartridges in addition to the black cartridge).</li> <li>• <b>Color Themes:</b> These options determine how colors are rendered. They include various red-green-blue themes such as in Default, Photo, or Vivid. For more information, see <a href="#">To adjust or manage colors</a>.</li> </ul>
Advanced	<p>This tab contains settings that you may use or change infrequently:</p> <ul style="list-style-type: none"> <li>• <b>Copies:</b> Select the number of copies and whether to collate them.</li> <li>• <b>Reverse page order:</b> Prints from the last page of the job to the first page.</li> </ul>

Tab	Description
	<ul style="list-style-type: none"> <li>• <b>Print all text as black:</b> Helps reduce color cartridge usage.</li> <li>• <b>HP EasyColor:</b> If you are using the HP PCL 6 printer driver for Windows, select this checkbox to automatically improve mixed-content documents that are printed from Microsoft Office programs. HP EasyColor technology enhances the entire image at one time, rather than dividing it into several pieces, which results in improved color consistency, sharper details, and faster printing.</li> <li>• <b>Ink Settings:</b> Use the sliders to select the dry time, saturation level, and black color spread for the print job. For more information, see <a href="#">To adjust or manage colors</a>.</li> </ul>

6. Click **OK** to return to the **Properties** dialog box.
7. Click **OK**, and then click **Print** or click **OK** in the Print dialog box.

 **NOTE:** After printing, remove any special media, such as envelopes or photo paper, from the product.

## To print from a computer (OS X)

These instructions apply to printing on various media including the following.

- |                                  |             |             |
|----------------------------------|-------------|-------------|
| • Plain paper                    | • Envelopes | • Brochures |
| • Letterhead or preprinted forms | • Photos    | • Labels    |

## To print from a computer (OS X)


1. Load the supported media in the correct tray.  
For more information, see [Load media](#).
2. On the **File** menu in the software program, click **Print**.
3. Make sure your printer is selected.
4. In the **Presets** menu, select a printing preset if needed.
5. If the product contains a stapler/stacker, then do the following:
  - a. From the **Copy & Pages** pop-up menu, select **Finishing**.
  - b. From the **Staple** pop-up menu, select one of the following:
    - **None:** No staples.
    - **One Staple Left:** The staple is in the left corner of the top edge of the paper.
    - **One Staple Right:** The staple is in the right corner of the top edge of the paper.
  - c. **Output Bin - Automatically select:** The printer outputs jobs to the upper bin for stapling. All other jobs are routed to the lower bin.
  - d. **Output Bin - Upper Bin:** The printer outputs jobs that *support* stapling to the upper bin; they do not need to be stapled. All other jobs are routed to the lower bin.
6. On the **Paper/Quality** tab, click the pop-up menu next to the media type.

Set the correct print options for your media (plain paper, letterhead, preprinted, prepunched, envelope, photo paper, label, and so forth). Print options can include size, type, tray, print resolution, and automatic adjustments.

If you do not see options on the Print dialog box, click **Show Details**.

7. Click **Print**.

---


 **NOTE:** After printing, remove any special media, such as envelopes or photo paper, from the product.

---

## To set up printing shortcuts (Windows)

1. On the **File** menu in the software program, click **Print**.
2. Click the link or button that opens the **Properties** dialog box.  
Depending on your software application, this link or button might be called **Properties**, **Options**, **Printer Setup**, **Printer Properties**, **Printer**, or **Set Preferences**.
3. Click the **Printing Shortcuts** tab.
4. Select an existing shortcut as a base.

---

 **NOTE:** Always select a shortcut before adjusting any of the settings on the right side of the screen. If you adjust the settings and then select a shortcut, all your adjustments are lost.

---

5. Select the print options for the new shortcut.
6. Click the **Save As** button.
7. Type a name for the shortcut, and click the **OK** button.

## To set up printing presets (OS X)

1. On the **File** menu in the software program, click **Print**.
2. Make sure your printer is selected.
3. From the **Presets** pop-up menu, select **Default Settings**.
4. Click **Save Current Settings as Preset**.
5. Type a descriptive name for the preset, and save it for **Only this printer** or **All printers**.

## To adjust or manage colors

Adjust the color of print output for the product by changing the settings in the printer driver software.

- [Choose a preset color theme for a print job](#)
- [Adjust the color options for a print job manually](#)
- [Match colors to your computer screen](#)
- [Control access to color printing](#)

## Choose a preset color theme for a print job

1. On the **File** menu in the software program, click **Print**.
2. Make sure your printer is selected.
3. Click the link or button that opens the **Properties** dialog box.  
Depending on your software application, this link or button might be called **Properties**, **Options**, **Printer Setup**, **Printer Properties**, **Printer**, or **Set Preferences**.
4. Do one of the following:




- **Windows:** Click the **Color** tab.
  - **OS X:** Click the **Color** tab, and clear **HP EasyColor**.
5. From the **Color Themes** drop-down list (Windows) or the **RGB Color** pop-up menu (OS X), select one of the following color themes:
- **Default (sRGB):** This theme sets the product to print RGB data in raw device mode. When using this theme, manage color in the software program or in the operating system for correct rendering.
  - **Vivid:** The product increases the color saturation in the midtones. Use this theme when printing business graphics.
  - **Photo:** The product interprets RGB color as if it were printed as a photograph using a digital mini lab. The product renders deeper, more saturated colors differently than with the Default (sRGB) theme. Use this theme when printing photos.
  - **Photo (Adobe RGB 1998):** Use this theme with printing digital photos that use the AdobeRGB color space rather than sRGB. Turn off color management in the software program when using this theme.
  - **None:** No color theme is used.

## Adjust the color options for a print job manually

Use the printer driver software to clear default color settings and adjust settings manually. Use the built-in help in the driver software to understand how each setting affects print output.

1. On the **File** menu in the software program, click **Print**.
2. Make sure your printer is selected.
3. Do one of the following:
  - **Windows:** Click the link or button that opens the **Properties** dialog box.  
Depending on your software application, this link or button might be called **Properties**, **Options**, **Printer Setup**, **Printer Properties**, **Printer**, or **Set Preferences**.
  - **OS X:** From the **Copies & Pages** pop-up menu, select **Color**. Then, deselect **HP EasyColor**.
4. Do one of the following:
  - **Windows:** On the **Advanced** tab, click **Ink Settings**.
  - **OS X:** Click the disclosure triangle next to **Advanced**.
5. Use the sliders to make the following adjustments:
  - **Dry Time:** Move the slider to the right to increase the amount of time that the printer takes to dry a printed page. Increasing the drying time works best for jobs printed on plain paper.
  - **Saturation:** Move the slider to the right to increase the amount of black or color applied. Increasing the saturation works best for jobs printed on brochure or photo paper.
  - **Black Ink Spread:** Move the slider to the left to limit the spread of black onto adjacent areas of color on the printed page. Decreasing the spread works best for jobs printed on plain paper.

---

 **NOTE:** Changing color settings manually can affect output. HP recommends that only color graphics experts change these settings.

---
6. Click **OK** to save your adjustments and close the window, or click **Reset** to return the settings to the factory defaults (Windows).

## Match colors to your computer screen

For most users, the best method for matching colors is to print sRGB colors.

The process of matching printer output color to your computer screen is complex, because printers and computer monitors use different methods of producing color. Monitors display colors by using light pixels that use an RGB (red, green, blue) color process, but printers print colors by using a CMYK (cyan, magenta, yellow, and black) process.

Many factors can influence your ability to match printed colors to those on your monitor:

- Print media
- Printing process (cartridge, press, or laser technology, for example)
- Overhead lighting
- Personal differences in perception of color
- Software programs
- Printer drivers
- Computer operating systems
- Monitors
- Video cards and drivers
- Operating environment (humidity, for example)

## Control access to color printing

HP's suite of color access control tools allows you to enable or disable color by individual users or groups and applications. For more information, visit [www.hp.com/go/upd](http://www.hp.com/go/upd).

## Print from the control panel

- [Print using job storage](#)
- [Print from a USB device](#)

## Print using job storage

You can create and store jobs on the product, which you or others can print later. To save printer memory or to protect sensitive information, you can delete the stored jobs from the product.

- [To disable or re-enable job storage](#)
- [To apply job storage to one or all print jobs](#)
- [To print a job stored on the printer](#)
- [To delete a job stored on the printer](#)

## To disable or re-enable job storage

Job storage is enabled, by default. You can disable or re-enable it in the printer software, as needed.



**NOTE:** Before you can re-enable job storage in the printer software, it must first be enabled in the HP Embedded Web Server (on the **Settings** tab, under **Security**, click **Protect Stored Data** and follow the onscreen instructions). For more information about using the EWS, see [HP Embedded Web Server](#).

- [Disable or enable job storage \(Windows\)](#)
- [Disable or enable job storage \(OS X\)](#)

### Disable or enable job storage (Windows)

1. Click **Start**, and do one of the following, depending on your operating system:
  - **Windows 10:** Click **Settings**, click **Devices**, and then click **Printers**.
  - **Windows 8, 8.1:** Click **Control Panel**, click **Hardware and Sound**, and then click **Devices and Printers**.
  - **Windows 7:** Click **Devices and Printers**.
2. Right-click your printer, and then click **Properties** or **Printer properties**.
3. In the Printer Properties window, click the **Device Settings** tab.
4. From the **Job Storage** drop-down list, select **Disable** to turn the feature off or select **Automatic** to turn it on.
5. Click **Apply**, and then click **OK**.

### Disable or enable job storage (OS X)

1. Open HP Utility. For more information, see [Open HP Utility](#).
2. Make sure your printer is selected.
3. Click **Devices**.
4. Select **Job Storage Settings**.
5. Select **Allow Stored Jobs on this printer**, and set the storage job settings.

### To apply job storage to one or all print jobs

You can apply the job storage feature to a single job or to all print jobs. When you do this, the single job or all jobs are stored in the printer memory so that you can print them later from the printer control panel.

- [Apply job storage to one print job \(Windows\)](#)
- [Apply job storage to all print jobs \(Windows\)](#)
- [Apply job storage to one print job \(OS X\)](#)
- [Apply job storage to all print jobs \(OS X\)](#)

### Apply job storage to one print job (Windows)

1. On the **File** menu in the software program, click **Print**.
2. Make sure your printer is selected.
3. Click the link or button that opens the **Properties** dialog box.
4. Click the **Job Storage** tab, and select one of the following options:
  - **Proof and Hold:** Prints the first copy of a multiple-copy job so you can verify the print quality and prints the remaining copies when you request them at the printer control panel
  - **Personal Job:** Does not print the job until you request it at the printer control panel  
Personal jobs are automatically deleted after printing.

- **Quick Copy:** Prints the requested number of copies of the job and stores a copy of it so you can print it again later
  - **Stored Job:** Prints the job on the printer and lets other users print it at any time
  - **Make Job Private/Secure:** Applies to Personal or Stored Jobs. You can require a personal identification number (PIN) or password to print the stored job from the control panel:
    - **None:** No PIN or password is required.
    - **PIN to print:** A four-digit PIN is required.
    - **Encrypt Job (with password)** (for Windows 7 or later): A password, consisting of 4-32 characters, is required.
5. In the **User Name** area, select **User Name** to use the default user name or select **Custom** and then type the user name you want.
  6. In the **Job Name** area, select **Automatic** to use the default job name or select **Custom** and then type the job name you want.
 

If you type a job name that is already in use, select one of the following:

    - **Use Job Name + (1-99):** Append a unique number to the end of the job name
    - **Replace Existing File:** Overwrite the existing stored job with the new one
  7. Click **OK**, and then click **Print** to store the job on the printer.

#### Apply job storage to all print jobs (Windows)

1. Click **Start**, and do one of the following, depending on your operating system:
  - **Windows 10:** Click **Settings**, click **Devices**, and then click **Printers**.
  - **Windows 8, 8.1:** Click **Control Panel**, click **Hardware and Sound**, and then click **Devices and Printers**.
  - **Windows 7:** Click **Devices and Printers**.
2. Make sure your printer is selected.
3. Right-click your printer, click **Printing preferences**, and then click the **Job Storage** tab.
4. On the **Job Storage** tab, select one of the following options:
  - **Proof and Hold:** Prints the first copy of a multiple-copy job so you can verify the print quality and prints the remaining copies when you request them at the printer control panel
  - **Personal Job:** Does not print the job until you request it at the printer control panel  
Personal jobs are automatically deleted after printing.
  - **Quick Copy:** Prints the requested number of copies of the job and stores a copy of it so you can print it again later
  - **Stored Job:** Prints the job on the printer and lets other users print it at any time
  - **Make Job Private/Secure:** Applies to Personal or Stored Jobs. You can require a personal identification number (PIN) or password to print the stored job from the control panel

- **None:** No PIN or password is required.
  - **PIN to print:** A four-digit PIN is required.
  - **Encrypt Job (with password)** (for Windows 7 or later): A password, consisting of 4-32 characters, is required.
5. In the **User Name** area, select **User Name** to use the default user name or select **Custom** and then type the user name you want.
  6. In the **Job Name** area, select **Automatic** to use the default job name or select **Custom** and then type the job name you want.  
If you type a job name that is already in use, select one of the following:
    - **Use Job Name + (1-99):** Append a unique number to the end of the job name
    - **Replace Existing File:** Overwrite the existing stored job with the new one
  7. Click **OK** , and then click **Print** to store the job on the printer.

### Apply job storage to one print job (OS X)

1. On the **File** menu in the software program, click **Print**.
2. From the **Copies & Pages** pop-up menu, select **Job Storage**.
3. Make sure your printer is selected.
4. From the **Mode** pop-up menu, select one of the following options:
  - **Quick Copy:** Prints the requested number of copies of the job and stores a copy of it so you can print it again later
  - **Proof and Hold:** Prints the first copy of a multiple-copy job so you can verify the print quality and prints the remaining copies when you request them at the printer control panel
  - **Stored Job:** Prints the job on the printer and lets other users print it at any time
  - **Personal Job:** Does not print the job until you request it at the printer control panel  
Personal jobs are automatically deleted after printing.
5. In the **User Name** area, select **User Name** to use the default user name or select **Custom** and then type the user name you want.
6. In the **Job Name** area, select **Automatic** to use the default job name or select **Custom** and then type the job name you want.  
If you type a job name that is already in use, select one of the following:
  - **Use Job Name + (1-99):** Append a unique number to the end of the job name
  - **Replace Existing File:** Overwrite the existing stored job with the new one
7. For Personal or Stored Jobs, select **Use PIN to Print** if you want to require a four-digit personal identification number (PIN) to print the stored job from the control panel.
8. Click **Print** to store the job on the printer.

### Apply job storage to all print jobs (OS X)

1. On the **File** menu in the software program, click **Print**.
2. From the **Copies & Pages** pop-up menu, select **Job Storage**.

3. Make sure your printer is selected.
4. From the **Mode** pop-up menu, select one of the following options:
  - **Quick Copy:** Prints the requested number of copies of the job and stores a copy of it so you can print it again later
  - **Proof and Hold:** Prints the first copy of a multiple-copy job so you can verify the print quality and prints the remaining copies when you request them at the printer control panel
  - **Stored Job:** Prints the job on the printer and lets other users print it at any time
  - **Personal Job:** Does not print the job until you request it at the printer control panel  
Personal jobs are automatically deleted after printing.
5. In the **User Name** area, select **User Name** to use the default user name or select **Custom** and then type the user name you want.
6. In the **Job Name** area, select **Automatic** to use the default job name or select **Custom** and then type the job name you want.  
If you type a job name that is already in use, select one of the following:
  - **Use Job Name + (1-99):** Append a unique number to the end of the job name
  - **Replace Existing File:** Overwrite the existing stored job with the new one
7. For Personal or Stored Jobs, select **Use PIN to Print** if you want to require a four-digit personal identification number (PIN) to print the stored job from the control panel.
8. Click **Print** to store the job on the printer.

### To print a job stored on the printer

1. On the control panel, touch the **Print** icon.
2. In the display, touch the **Stored Job** or the **Private Job** icon.
3. Navigate to the stored job you want, and open it.

---

 **NOTE:** If the job is private or encrypted, enter the PIN or password.

---

4. Select the number of copies, and touch **Print**.

### To delete a job stored on the printer

1. On the control panel, touch the **Print** icon.
2. In the display, touch the **Stored Job** or the **Private Job** icon.
3. Open the folder containing your stored job, and do one of the following:
  - To delete one job, touch the job you want to delete.
  - To delete all the jobs in the folder, touch the trash icon, and then touch **Delete**.

---

 **NOTE:** If some jobs are protected with a PIN or password, touch **All jobs without a PIN or password** or **All jobs with the same PIN or password** and follow the onscreen instructions.

---

4. If needed, touch the trash icon, and then touch **Delete**.

## Print from a USB device

This product features printing directly from a USB storage device (Plug and Print), so you can quickly print files without sending them from a computer. The product accepts standard USB storage accessories in the USB port near the control panel.


1. Insert the USB device into the USB port on the front of the product. The [Memory Device Options](#) menu opens.
2. In the display, touch the [Print Documents](#) icon.
3. Navigate to the job you want on the USB device, and open it.

You can print the following types of files:

- PDF
  - All photo formats
  - Microsoft Office files, except Excel
4. Select the number of copies, and touch [Black](#) or [Color](#) to start printing.

## Print with NFC

With Near Field Communications (NFC), you can walk up to the product and print from your smart phone or tablet.

- ▲ To print using NFC, in the control panel touch  ([NFC](#)), and follow the onscreen instructions.

## Print with AirPrint (OS X)

Printing using Apple's AirPrint is supported for iPad (iOS 4.2), iPhone (3GS or later), iPod touch (third generation or later), and Mac (OS X v10.10 or later).

To use AirPrint, ensure the following:

- The printer and the Apple device are connected to the same network as your AirPrint-enabled device. For more information, visit [www.hp.com/go/mobileprinting](http://www.hp.com/go/mobileprinting). If a local version of this website is not available in your country/region, you might be directed to the HP Mobile Printing site in another country/region or language.
- Load paper that matches the paper settings of the printer.

### To re-enable AirPrint

AirPrint is enabled, by default. If it becomes disabled, you can use the following instructions to enable it again.

1. Open the EWS. For more information, see [Open the EWS](#).
2. On the **Network** tab, click **AirPrint** and then click **Status**.
3. In the **AirPrint Status** row, click **Turn On AirPrint**.

## Tips for print success

- [Cartridge tips](#)
- [Paper loading tips](#)

- [Printer settings tips \(Windows\)](#)
- [Printer settings tips \(OS X\)](#)

## Cartridge tips

See [Tips for working with cartridges](#).

## Paper loading tips

See [Tips for selecting and using paper](#).

## Printer settings tips (Windows)

- To change default print settings, do one of the following:
  - In the HP Printer Assistant, click **Print**, and then click **Set Preferences**. For more information, see [Open the HP Printer Assistant](#).
  - On the **File** menu in the software program, click **Print**. Open the Printer Properties dialog box.
- On the **Color** or **Finishing** tab of the printer driver, set the following options as needed:
  - **Print in Grayscale:** Allows you to print a black-and-white document using only the black cartridge. It also allows you to print documents in high-quality grayscale, which uses color cartridges. Click **Black Only** or **High Quality CMYK Grayscale**, and then click **OK**.
  - **Pages per sheet:** Helps you specify the order of the pages if you print document in more than two pages per sheet.
  - **Flip pages up:** Depending on paper orientation, you can flip pages up for short-edge binding (calendars, for example) or long-edge binding (books, for example).
  - **Booklet Layout:** Allows you to print a multiple-page document as a booklet. It places two pages on each side of a sheet that can then be folded into a booklet in half size of the paper. Select a binding method from the drop-down list, and then click **OK**:
    - **Left binding:** The binding side after folded into a booklet appears at the left side. Select the option if your reading habit is from left to right.
    - **Right binding:** The binding side after folded into a booklet appears at the right side. Select the option if your reading habit is from right to left.
  - **Print page borders:** Allows you to add the borders to the pages if you print the document with two or more pages per sheet.
- You can use printing shortcuts to save time setting printing preferences.

## Printer settings tips (OS X)

- In the software program, be sure to select the correct paper size loaded in the printer:
  - a. From the **File** menu, select **Page Setup**.
  - b. In **Format For**, make sure your printer is selected.
  - c. From the pop-up menu, select **Paper Size**.
- In the software program, be sure to select the correct paper type and quality loaded in the printer:



- a. On the **File** menu in the software program, click **Print**.
  - b. From the **Copies & Pages** pop-up menu, select **Paper/Quality**, and select the correct paper type and quality.
- To print a black-and-white document using only the black cartridge, do the following:
  - a. On the **File** menu in the software program, click **Print**.
  - b. In the Print window, from the pop-up menu, select **Copies & Pages**, and then select **Color**.
  - c. Clear the **HP EasyColor** checkbox.
  - d. Click the **Print in Grayscale** pop-up menu, and select **Black Only**.

---

# 7 Solve problems

- [Problem-solving checklist](#)
- [Information pages](#)
- [Factory-set defaults](#)
- [Cleaning routines](#)
- [Jams and paper-feed issues](#)
- [Cartridge issues](#)
- [Printing issues](#)
- [Connectivity issues](#)
- [Wireless network issues](#)
- [Product software issues \(Windows\)](#)
- [Product software issues \(OS X\)](#)

## Problem-solving checklist

Follow these steps when trying to solve a problem with the product:

- [Check that the product power is on](#)
- [Check the control panel for error messages](#)
- [Test print functionality](#)
- [Try sending a print job from a computer](#)
- [Test the plug-and-print USB functionality](#)
- [Factors that affect product performance](#)


### Check that the product power is on

1. If the power button is not lit, press it to turn the product on.
2. If the power button does not seem to work, ensure that the power cable is connected to both the product and the electrical or AC outlet.
3. If the product is still not powering up, check the power source by connecting the power cable to a different electrical or AC outlet.

### Check the control panel for error messages

The control panel should indicate ready status. If an error message appears, resolve the error.

## Test print functionality

1. Open the control panel dashboard (swipe the dashboard tab at the top of any screen downward, or touch the strip at the top of the home screen).
2. On the control panel dashboard, touch  (Setup).
3. Touch [Reports](#) , and then touch [Printer Status Report](#) to print a test page.
4. If the report does not print, make sure paper is loaded in the tray, and check the control panel to see if paper is jammed inside the product.



**NOTE:** Make sure the paper in the tray meets specifications for this product.

## Try sending a print job from a computer

1. Use a word-processing program to send a print job to the product.
2. If the job does not print, make sure you selected the correct printer driver.
3. Uninstall and then reinstall the product software.

## Test the plug-and-print USB functionality

1. Load a PDF, Microsoft Office file (except Excel), or photo onto a USB flash drive, and insert it in the USB slot on the left side of the product.
2. The [Memory Device Options](#) menu opens. Try printing the document or photo.
3. If no documents are listed, try a different type of USB flash drive.

## Factors that affect product performance

Several factors affect the time it takes to print a job:

- The software program that you are using and its settings
- The use of special paper (such as heavy paper and custom-size paper)
- Product processing and download time
- The complexity and size of graphics
- The speed of the computer you are using
- The USB or network connection
- The type of USB drive, if you are using one
- Whether the product is printing on one side or two sides
- The number of different media types in the print job
- Printing from Tray 1 when it is set to **Any Size** and **Any Type**, which requires the product to handle many different media sizes and types
- More print jobs with fewer pages

## Information pages

Information pages reside within the product memory. These pages help diagnose and solve problems with the product.



**NOTE:** If the product language was not correctly set during installation, you can set the language manually so the information pages print in one of the supported languages. Change the language by using the **Preferences** menu on the **Setup** menu in the control panel or by using the HP Embedded Web Server.

1. Open the control panel dashboard (swipe the dashboard tab at the top of any screen downward, or touch the strip at the top of the home screen).
2. On the control panel dashboard, touch (**Setup**).
3. Touch **Reports** to view the menu.
4. Touch the name of the report that you want to print:

Menu item	Description
<a href="#">Event Log</a>	Prints a log of errors and other events during product use.
<a href="#">Network Configuration Page</a>	Displays status for: <ul style="list-style-type: none"><li>• Network hardware configuration</li><li>• Enabled features</li><li>• TCP/IP and SNMP information</li><li>• Network statistics</li><li>• Wireless network configuration (wireless models only)</li></ul>
<a href="#">PCL Font List</a>	Prints a list of all installed PCL fonts.
<a href="#">PCL6 Font List</a>	Prints a list of all installed PCL6 fonts.
<a href="#">Print Quality Report</a>	Prints a page that helps solve problems with print quality.
<a href="#">Printer Status Report</a>	Prints the cartridge status. Includes the following information: <ul style="list-style-type: none"><li>• Estimated proportion of cartridge life remaining<p><b>NOTE:</b> Cartridge-level alerts and indicators provide estimates for planning purposes only. When you receive a low-cartridge alert, consider having a replacement cartridge available to avoid possible printing delays. You do not need to replace the cartridges until you are prompted to.</p></li><li>• Approximate number of pages remaining</li><li>• Part numbers for HP cartridges</li><li>• Number of pages printed</li><li>• Information about ordering new HP cartridges and recycling used HP cartridges</li></ul>
<a href="#">PS Font List</a>	Prints a list of all installed PS fonts.
<a href="#">Usage Page</a>	Shows a count of all paper sizes that have passed through the product; lists whether they were monochrome or color, one-sided or two-sided, and reports the page count. This report is useful for reconciling contractual billing statements.
<a href="#">Web Access Test Report</a>	Shows the current configuration settings and diagnostic results for the local network, gateway, DNS, proxy, and test server. This report is useful for resolving problems accessing the web.
<a href="#">Wireless Network Test Report</a>	Triggers a set of diagnostic tests for common wireless problems, and recommends solutions for detected problems

## Factory-set defaults

---

**NOTICE:** Restoring the factory-defaults clears all customer data such as fax header, phonebook, and pages stored in memory. The procedure also returns many product settings to factory defaults and then automatically restarts the product.

---

1. On the control panel, touch the [Support Tools](#) icon.
2. In the display, touch the [Maintenance](#) icon.
3. Scroll to the bottom of the list, and then touch [Restore Factory Defaults](#).
4. In the menu that appears, touch [Restore Factory Defaults](#) again.
5. Follow the prompts on the control panel.

The product automatically restarts.

## Cleaning routines

- [Clean the printhead](#)
- [Clean the touch screen](#)

### Clean the printhead

During the printing process, paper and dust particles can accumulate inside the product. Over time, this buildup can cause print-quality problems such as specks or smearing.

This product automatically services itself, running cleaning routines that can correct most of these problems.

For problems that the product cannot automatically solve, use the following routine to clean the printhead:



---

**NOTE:** Use this routine only to correct print quality errors. Do not use it for periodic maintenance.

---

1. On the control panel, touch the [Support Tools](#) icon.
2. In the display, touch the [Troubleshooting](#) icon, and then [Print Quality](#).
3. Touch [Tools](#), and then [Clean the Printhead](#).
4. Follow the prompts on the control panel.

A page feeds through the product slowly. Discard the page when the process is completed.

### Clean the touch screen

Clean the touch screen whenever it is necessary to remove fingerprints or dust. Wipe the touch screen gently with a clean, water-dampened, lint-free cloth.

---

**NOTICE:** Use water only. Solvents or cleaners can damage the touch screen. Do not pour or spray water directly onto the touch screen.

---

## Jams and paper-feed issues

---

<a href="#">Solve paper jam issues.</a>	Use an HP online troubleshooting wizard.  Instructions for clearing the jam in the printer or in the automatic document feeder and resolving issues with paper or the paper feed.
---	---

---



**NOTE:** The HP online troubleshooting wizards may not be available in all languages.

## The product does not pick up paper

If the product does not pick up paper from the tray, try these solutions:

- Check the control panel for error messages, and follow any onscreen instructions.
- Load the tray with the correct paper size and type for your job.
- Make sure the paper guides in the tray are adjusted correctly for the size of paper. Align the guides with the paper-size markings in the bottom of the tray.
- Remove the stack of paper from the tray and flex it, rotate it 180 degrees, and flip it over. *Do not fan the paper.* Return the stack of paper to the tray.
- Clean the tray rollers. Cleaning instructions are available online at [HP Customer Support](#).
- If needed, replace the tray rollers. Replacement instructions are provided with the tray roller kit or available online at [HP Customer Support](#).

## The product picks up multiple sheets of paper

If the product picks up multiple sheets of paper from the tray, try these solutions:

- Remove the stack of paper from the tray and flex it, rotate it 180 degrees, and flip it over. *Do not fan the paper.* Return the stack of paper to the tray.
- Use only paper that meets HP specifications for this product.
- Use paper that is not wrinkled, folded, or damaged. If necessary, use paper from a different package. Make sure all paper in the tray is the same type and size.
- Make sure the tray is not overfilled. If it is, remove the entire stack of paper from the tray, straighten the stack, and then return less paper to the tray.
- Even if the tray is not overfilled, try using a lower stack of media, such as half.
- Make sure the paper guides in the tray are adjusted correctly for the size of paper. Align the guides with the paper-size markings in the bottom of the tray.
- Print from another tray.

## Prevent paper jams

To reduce the number of paper jams, try these solutions:

- Use only paper that meets HP specifications for this product. Lightweight, short-grain paper is not recommended.
- Use paper that is not wrinkled, folded, or damaged. If necessary, use paper from a different package.
- Use paper that has not previously been printed or copied on.
- Make sure the tray is not overfilled. If it is, remove the entire stack of paper from the tray, straighten the stack, and then return some of the paper to the tray.
- Make sure the paper guides in the tray are adjusted correctly for the size of paper. Adjust the guides so they are touching the paper stack without bending it.
- Make sure that the paper is flat at all four corners.

- Make sure that the tray is fully inserted in the product.
- If you are printing on heavy, embossed, or perforated paper, use Tray 1, the multipurpose tray on the left side of the printer, and then feed sheets manually one at a time.


## Clear jams

<a href="#">Solve paper jam issues.</a>	<p>Use an HP online troubleshooting wizard.</p> <p>Instructions for clearing the jam in the printer or in the automatic document feeder and resolving issues with paper or the paper feed.</p>
---	--

 **NOTE:** The HP online troubleshooting wizards may not be available in all languages.

- [Guidelines for clearing jams](#)
- [Jam locations](#)
- [Clear jams in Tray 1 \(multipurpose tray\)](#)
- [Clear jams in Tray 2](#)
- [Clear jams in lower 550-sheet trays](#)
- [Clear jams in HCI trays](#)
- [Clear jams in the left door](#)
- [Clear jams in the left duplexer](#)
- [Clear jams in the right door](#)
- [Clear jams in the right duplexer](#)
- [Clear jams in the output bin](#)

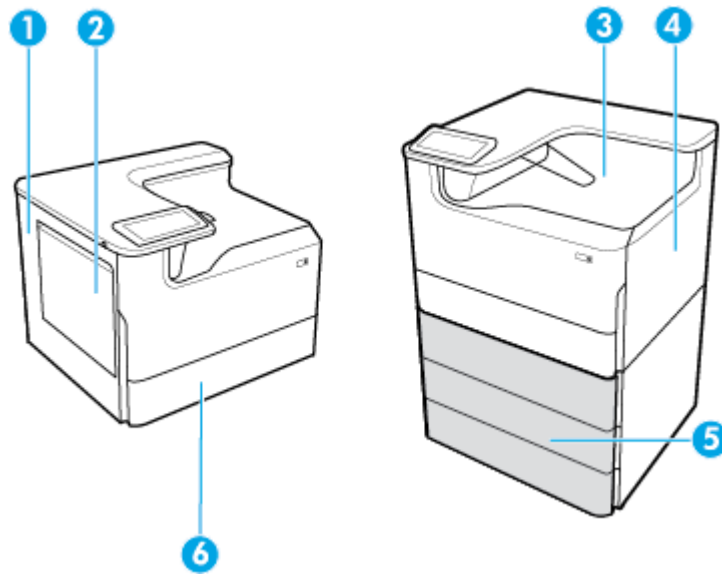
## Guidelines for clearing jams

 **CAUTION:** Warning labels appear in certain areas within the printer. For definitions of these labels, see [Warning icons](#).

- For best results, do not turn off the product before clearing paper jams.
- If a sheet tears while you are clearing a paper jam, make sure that all of the fragments are removed before you resume printing.
- To close a tray, push in the middle or with even pressure on both sides. Avoid pushing on one side only.

## Jam locations

Jams can occur in these locations:



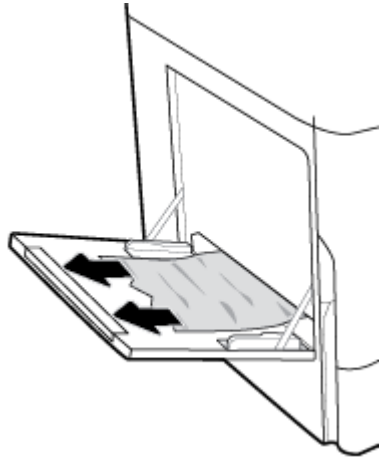
Label	Description
1	<ul style="list-style-type: none"> <li>• Left door</li> <li>• Left duplexer</li> </ul>
2	Tray 1
3	Output bin
4	<ul style="list-style-type: none"> <li>• Right door</li> <li>• Right duplexer</li> </ul>
5	Lower trays (available as optional accessories only): <ul style="list-style-type: none"> <li>• 550-sheet tray</li> <li>• 550-sheet tray and stand</li> <li>• 3x550-sheet tray and stand (shown)</li> <li>• 4000-sheet high-capacity input trays and stand</li> </ul>
6	Tray 2

Some marks or smearing might occur on printed pages after a jam. This problem typically resolves itself after a few sheets have been printed.

### Clear jams in Tray 1 (multipurpose tray)

- ▲ Gently remove any jammed paper from the tray.



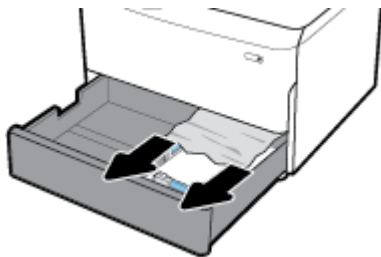


### Clear jams in Tray 2

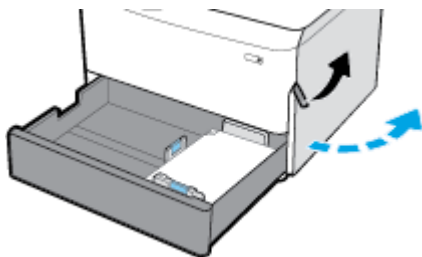
1. Open the tray.



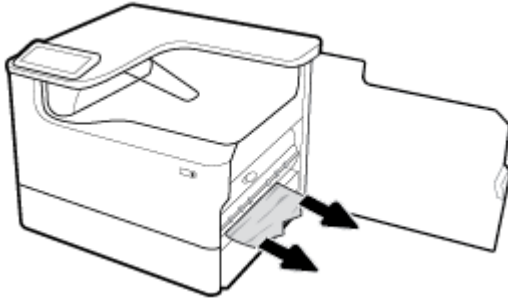
2. Gently remove any jammed paper from the tray.



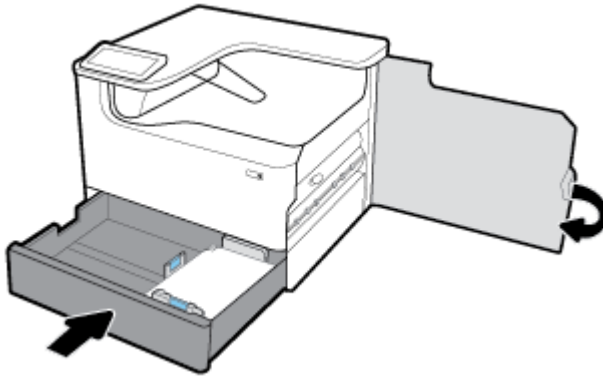
3. Open the right door, by pulling up on the right latch.



4. Gently remove any visible paper from the rollers.



5. Close the right door and the tray.



### Clear jams in lower 550-sheet trays

If the product includes one of these lower trays, then the following instructions may apply:

- [Clear jams in the 550-sheet tray or in the first tray in stand](#)
- [Clear jams in the second tray in the 3x550-sheet tray and stand](#)
- [Clear jams in the third tray in the 3x550-sheet tray and stand](#)

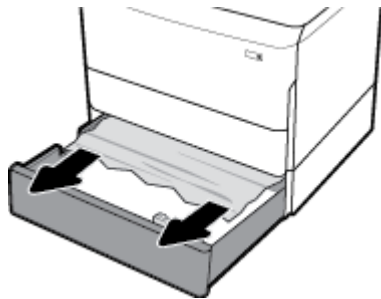
### Clear jams in the 550-sheet tray or in the first tray in stand

The following instructions show how to clear jams in the 550-sheet tray that is immediately below Tray 2 (single) or Trays 2 and 3 (tandem), in a tabletop or floor-standing printer.

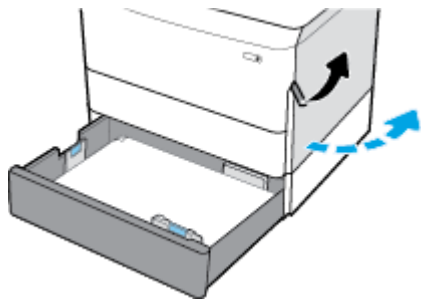
1. Open the tray.



2. Gently remove any jammed paper from the tray.



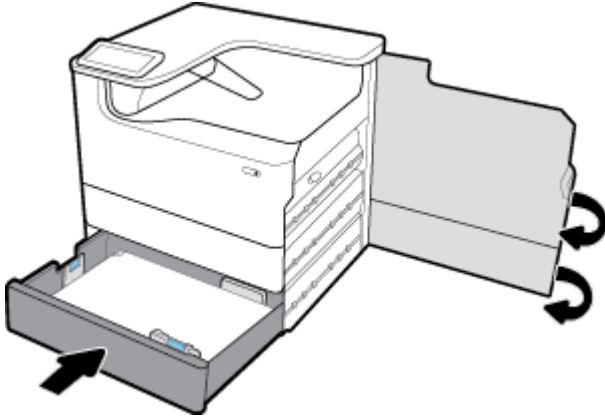
3. Open the right door, by pulling up on the right latch.



4. Gently remove any visible paper from the rollers.



5. Close the right door and the tray.



**Clear jams in the second tray in the 3x550-sheet tray and stand**

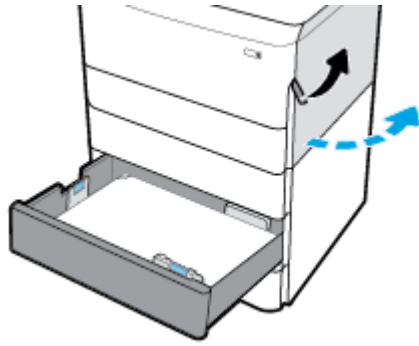
1. Open the tray.



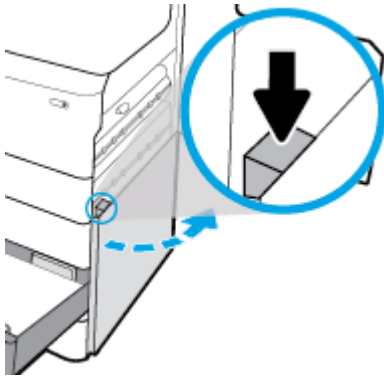
2. Gently remove any jammed paper from the tray.



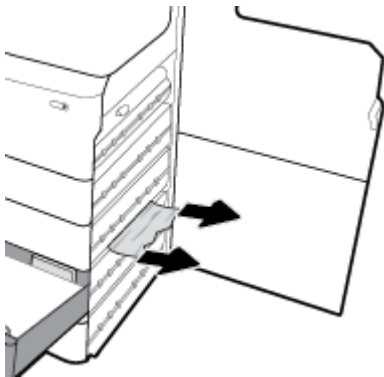
3. Open the right door, by pulling up on the right latch.



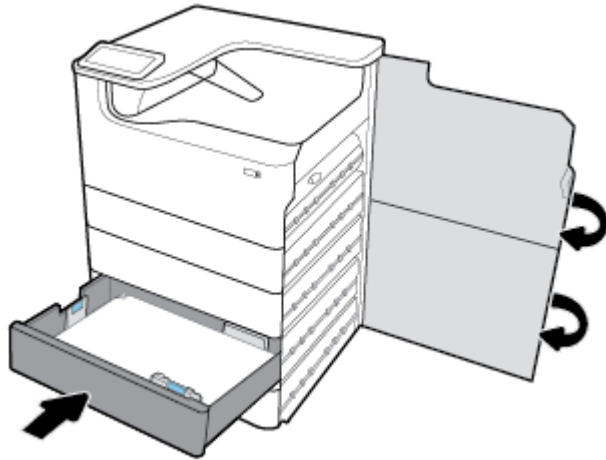
4. Open the lower right door, by pushing down on the lower latch.



5. Gently remove any visible paper from the rollers.

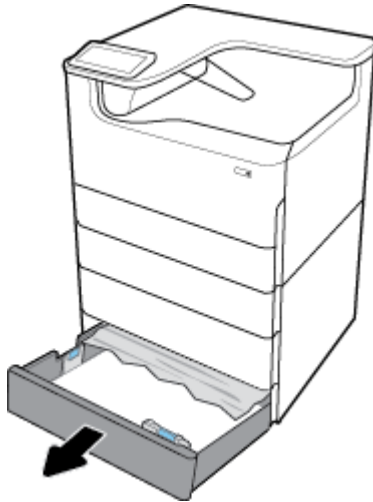


6. Close the lower right door, the right door, and the tray.



### Clear jams in the third tray in the 3x550-sheet tray and stand

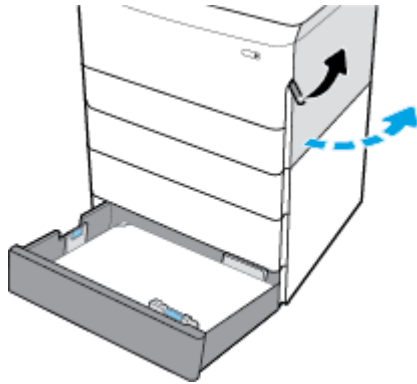
1. Open the tray.



2. Gently remove any jammed paper from the tray.



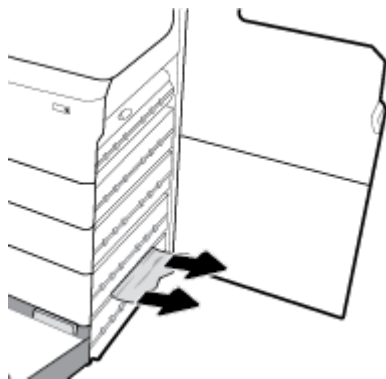
3. Open the right door, by pulling up on the right latch.



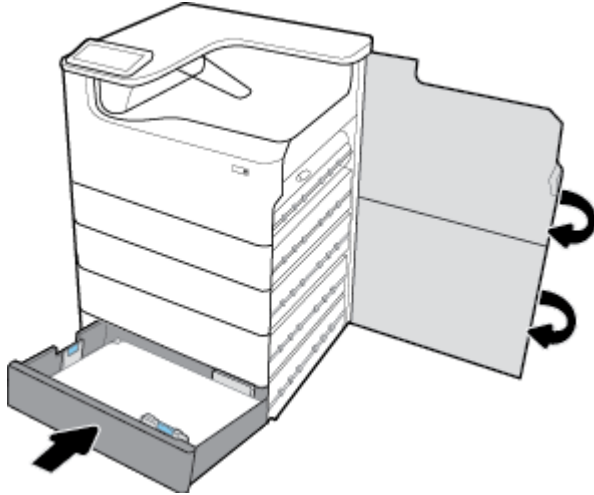
4. Open the lower right door, by pushing down on the lower latch.



5. Gently remove any visible paper from the rollers.



6. Close the lower right door, the right door, and the tray.



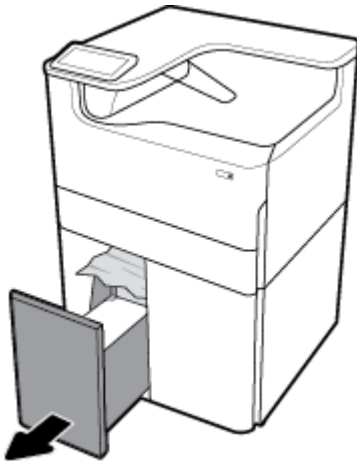
### Clear jams in HCI trays

If the product includes the 4000-sheet high-capacity input trays and stand, then the following instructions may apply:

- [Clear jams in left HCI tray](#)
- [Clear jams in right HCI tray](#)

### Clear jams in left HCI tray

1. Open the tray.

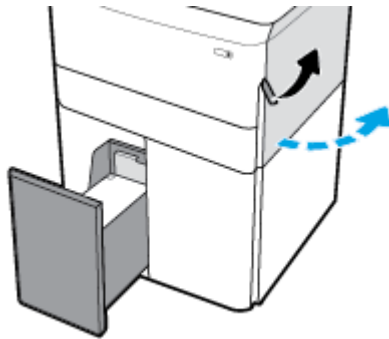




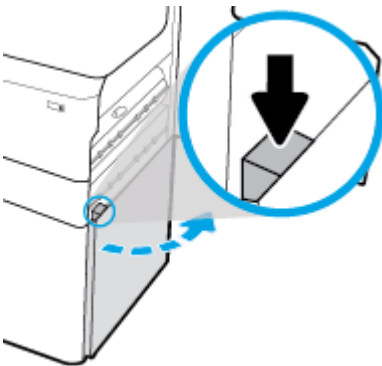
2. Gently remove any jammed paper from the tray.



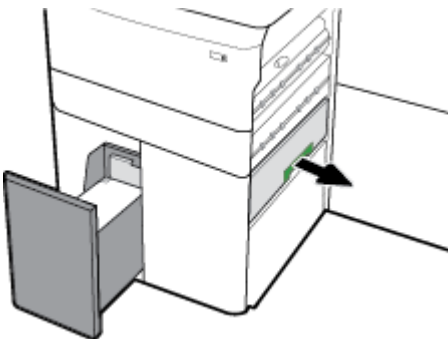
3. Open the right door, by pulling up on the right latch.



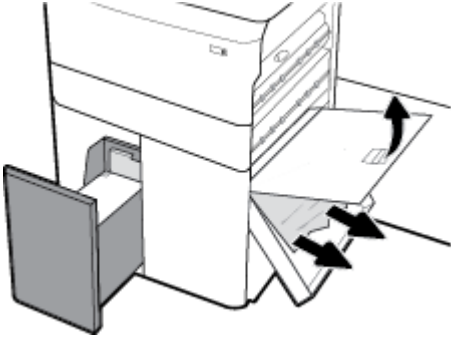
4. Open the lower right door, by pushing down on the lower latch.



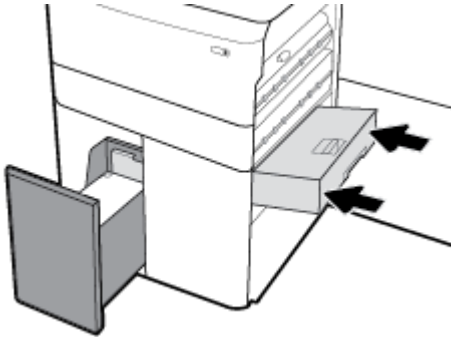
5. Grasp the green handle, and pull it out as far as it will go.



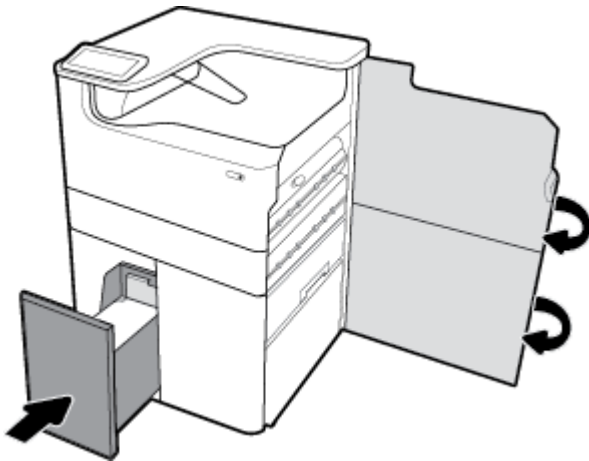
6. Open the lid, and remove any visible paper.



7. Close the lid, and return it to its original position.

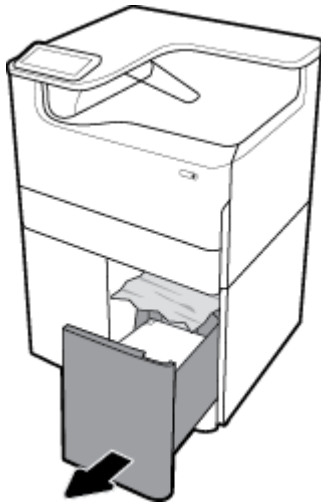


8. Close the lower right door, the right door, and the tray.



### Clear jams in right HCl tray

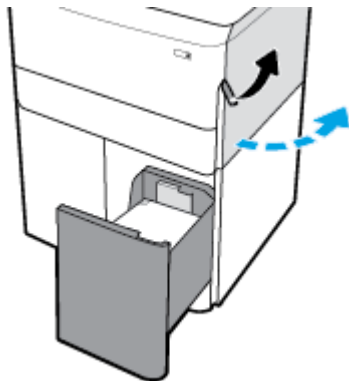
1. Open the tray.



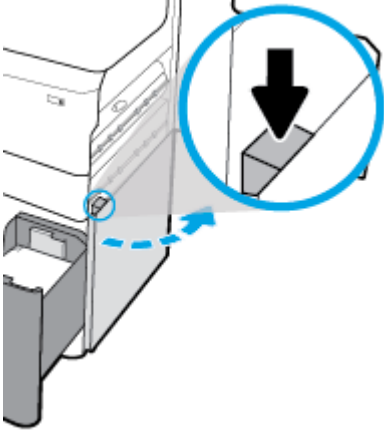
2. Gently remove any jammed paper from the tray.



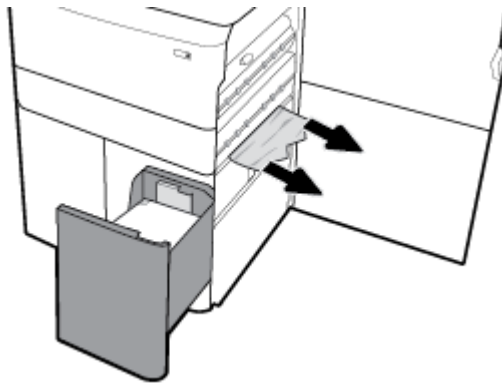
3. Open the right door, by pulling up on the right latch.



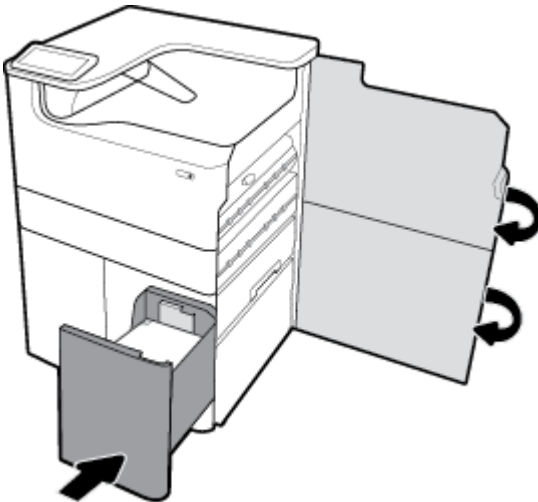
4. Open the lower right door, by pushing down on the lower latch.



5. Gently remove any visible paper from the rollers.

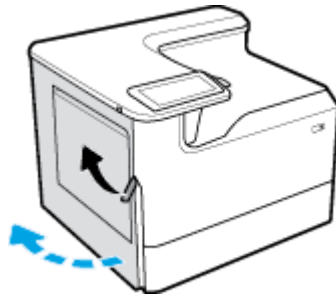


6. Close the lower right door, the right door, and the tray.

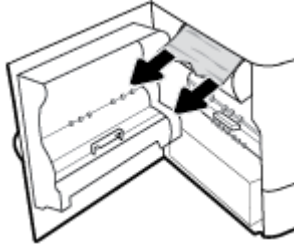


### Clear jams in the left door

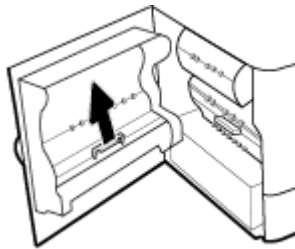
1. Open the left door, by pulling up on the left latch.



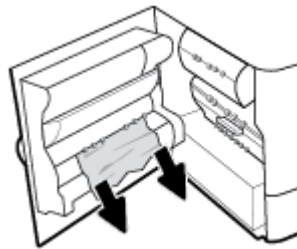
2. Gently remove any visible paper from the rollers.



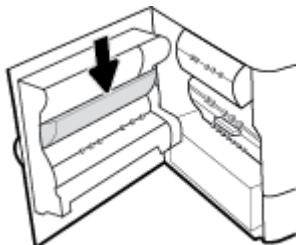
3. Lift up the latch on the inside of the left door.



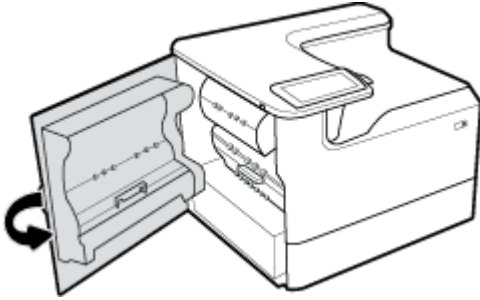
4. Gently remove any visible paper from the rollers.



5. Close the latch.

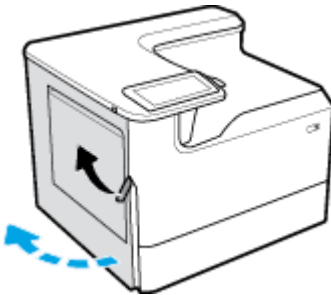


6. Close the left door.

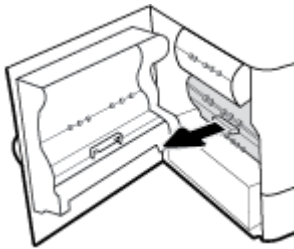


### Clear jams in the left duplexer

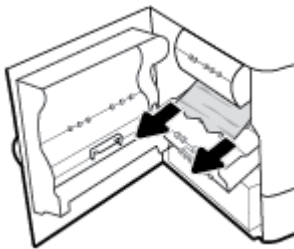
1. Open the left door, by pulling up on the left latch.



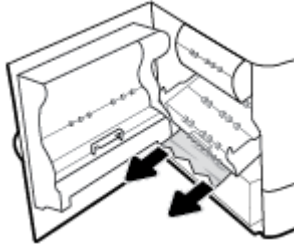
2. Grasp the handle of the duplexer, and pull the duplexer out as far as possible.



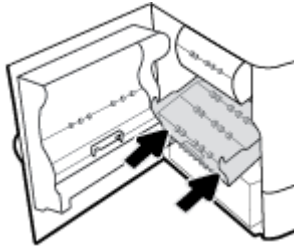
3. Gently remove any visible paper above the duplexer.



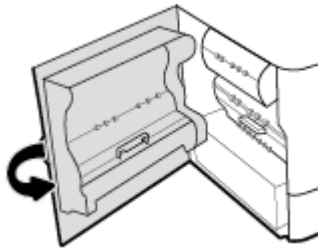
4. Lift up the duplexer, and gently remove any visible paper under it.



5. Insert the duplexer until it snaps into place.

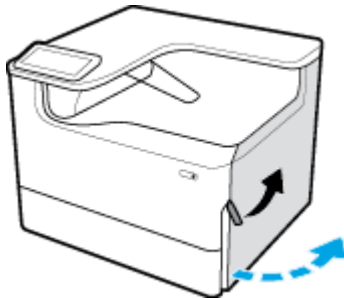


6. Close the left door.

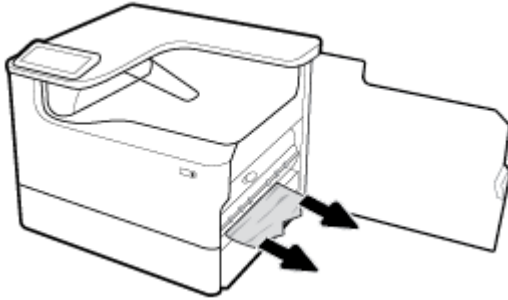


### Clear jams in the right door

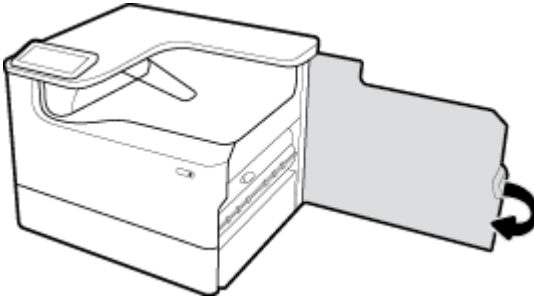
1. Open the right door, by pulling up on the right latch.



2. Gently remove any visible paper from the rollers.

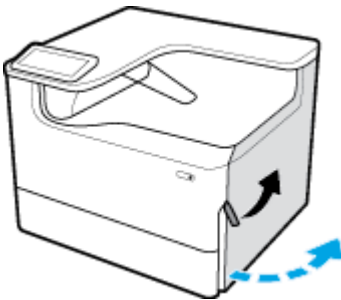


3. Close the right door.

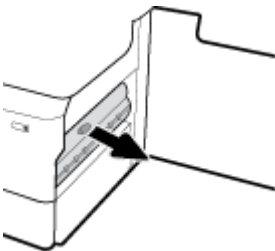


### Clear jams in the right duplexer

1. Open the right door, by pulling up on the right latch.

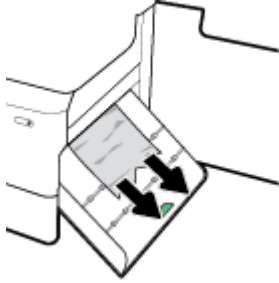


2. Grasp the handle of the duplexer, and pull the duplexer out as far as possible.

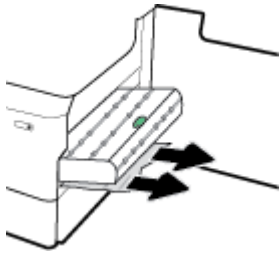




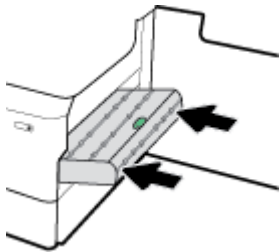
3. Gently remove any visible paper above the duplexer.



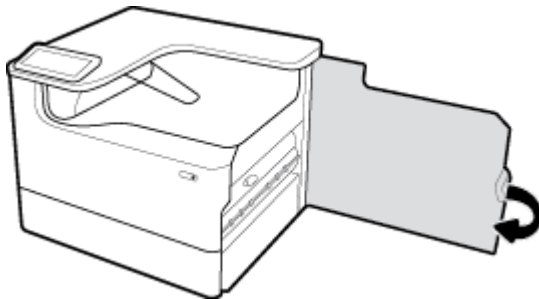
4. Lift up the duplexer, and gently remove any visible paper under it.



5. Insert the duplexer until it snaps into place.



6. Close the right door.

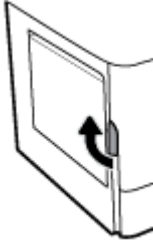


### Clear jams in the output bin

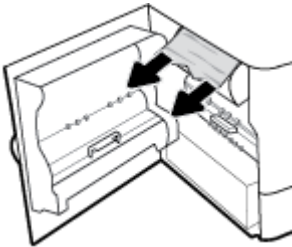
1. Gently remove any jammed paper from the output bin.



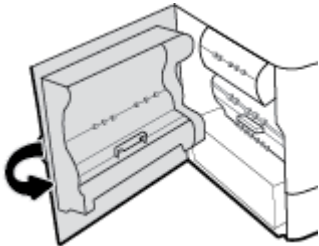
2. Open the left door, by pulling up on the left latch.



3. Gently remove any visible paper from the rollers.



4. Close the left door.



## Cartridge issues

- [Refilled or remanufactured cartridges](#)
- [Interpret control panel messages for cartridges](#)

### Refilled or remanufactured cartridges

HP cannot recommend the use of non-HP supplies, either new or remanufactured. Because they are not HP products, HP cannot influence their design or control their quality. If you are using a refilled or remanufactured cartridge and are not satisfied with the print quality, replace the cartridge with a genuine HP cartridge.



---

**NOTE:** If you replace a non-HP cartridge with a genuine HP cartridge, the printhead may still contain non-HP residuals until the printhead is depleted and receives supplies from the newly installed, genuine HP cartridge. Until the non-HP residuals are gone, print quality will be affected.

---

## Interpret control panel messages for cartridges

- [Cartridge Depleted](#)
- [Cartridge Low](#)
- [Cartridge Problem](#)
- [Cartridge Very Low](#)
- [Counterfeit or used \[color\] cartridge installed](#)
- [Do not use SETUP cartridges](#)
- [Genuine HP cartridge installed](#)
- [Incompatible \[color\]](#)
- [Install \[color\] cartridge](#)
- [Non-HP cartridges installed](#)
- [Printer Failure](#)
- [Problem with Print System](#)
- [Problem with Printer Preparation](#)
- [Problem with SETUP cartridges](#)
- [Use SETUP cartridges](#)
- [Used \[color\] installed](#)

### Cartridge Depleted

#### Description

The indicated cartridges are depleted and must be replaced.

#### Recommended action

You must replace these depleted cartridges now to continue printing.



---

**NOTE:** Installing new cartridges will replenish the reserves.

---

### Cartridge Low

#### Description

The indicated cartridges will need to be replaced soon.

#### Recommended action

Printing can continue, but consider having replacement cartridges on hand. You do not need to replace the cartridges until prompted to.

## Cartridge Problem

### Description

- The contacts on the cartridge might not be making a connection to the printer.
- The cartridge is not compatible with your printer.

### Recommended action

- Carefully clean the contacts on the cartridge by using a soft, lint-free cloth and insert the cartridge again.
- Remove this cartridge and replace with a compatible cartridge.
- Leave the printer powered on until all cartridges are installed so that the printer can perform self-servicing routines to protect the print system.

## Cartridge Very Low

### Description

The indicated cartridges are depleted and can be replaced now. The printer is using its reserves to print.

### Recommended action

You can replace these depleted cartridges now, without wastage.



**NOTE:** After cartridges are depleted, the printer can use its reserves for printing. See the printer control panel for more information about the approximate number of pages you can print using these reserves.

## Counterfeit or used [color] cartridge installed

### Description

The original HP ink in this cartridge has been depleted.

### Recommended action

Replace with genuine HP cartridge, or click OK to continue printing with non-genuine HP cartridge. Printer service or repairs required as a result of using a non-HP supply will not be covered under warranty.

## Do not use SETUP cartridges

### Description

SETUP cartridges cannot be used after the device has been initialized.

### Recommended action

Remove and install non-SETUP cartridges.

## Genuine HP cartridge installed

### Description

A genuine HP cartridge was installed.

### Recommended action

No action necessary.

## Incompatible [color]

### Description

You have installed a cartridge that is intended for use in a different HP product model. The product will NOT function with this print cartridge installed.

### Recommended action

Install the correct cartridge for this product.

## Install [color] cartridge

### Description

This message can appear during the initial set up of the product and may also appear after the initial set up of the product has been completed.

If this message appears during initial setup, it means one of the color cartridges is not installed with the door closed. The product will not print if a cartridge is missing.

If this message appears after the initial setup of the product, it means that the cartridge is missing or is installed but damaged.

### Recommended action

Install or replace the indicated color cartridge.

## Non-HP cartridges installed

### Description

No action necessary, this is a notification only.

### Recommended action

No action necessary, this is a notification only.

However, HP cannot recommend the use of non-HP supplies, either new or remanufactured. Printer service or repairs required as a result of using a non-HP supply will not be covered under warranty.

## Printer Failure

### Description

The printer refuses to function.

### Recommended action

Do a power reset. If this fails, contact the printer administrator or technical support.

## Problem with Print System

### Description

The cartridge identified in the message is missing, damaged, incompatible, or inserted into the wrong slot in the printer.

### Recommended action

Printing functionality is disabled. Try replacing the cartridge or doing a power reset. If these fail, contact the printer administrator or technical support.

## Problem with Printer Preparation

### Description

The printer clock has failed and cartridge preparation may not be complete. The estimated Cartridge Level gauge might be inaccurate.

### Recommended action

Check the print quality of your print job. If it is not satisfactory, running the printhead cleaning procedure from the toolbox might improve it.

## Problem with SETUP cartridges

### Description

There is a problem with the SETUP cartridges and the printer cannot complete system initialization.

### Recommended action

Contact the printer administrator or technical support.

## Use SETUP cartridges

### Description

The SETUP cartridges have been removed before the product has completed initialization.

### Recommended action

Use the SETUP cartridges that came with your product for product initialization.

When you first set up the printer, you must install the SETUP cartridges that shipped in the box with the printer. These cartridges calibrate your printer before the first print job. Failure to install the SETUP cartridges during the initial product setup causes an error. If you installed a set of regular cartridges, remove them and install the SETUP cartridges to complete printer setup. After printer setup is complete, the printer can use regular cartridges.

If you still receive error messages and the printer cannot complete system initialization, contact the printer administrator or technical support.

## Used [color] installed

### Description

A used, but still genuine, HP color cartridge has been installed or moved.

### Recommended action

You have a used, but still genuine, HP cartridge installed. No action required.

## Printing issues

<a href="#">HP Print and Scan Doctor</a>	The <a href="#">HP Print and Scan Doctor</a> is a utility that will try to diagnose and fix the issue automatically. <b>NOTE:</b> This utility is available only for Windows operating systems.
<a href="#">Troubleshoot problems with print jobs not printing.</a>	Use an HP online troubleshooting wizard. Get step-by-step instructions if the printer is not responding or printing.



---

**NOTE:** The HP online troubleshooting wizards may not be available in all languages.

---

- [The product does not print](#)
- [The product prints slowly](#)
- [Plug-and-print USB issues](#)
- [Improve print quality](#)

## The product does not print

### Printing troubleshooting checklist

If the product does not print at all, try the following solutions:

- Make sure the product is turned on and that the control panel indicates it is ready:
  - If the control panel does not indicate the product is ready, turn the product off and then on again.
  - If the control panel indicates the product is ready, try sending the job again.
- If the control panel indicates the product has an error, resolve the error and then try to print a test page from the control panel. If the test page prints, there may be a communication problem between the product and the computer you are trying to print from.



---

**NOTE:**

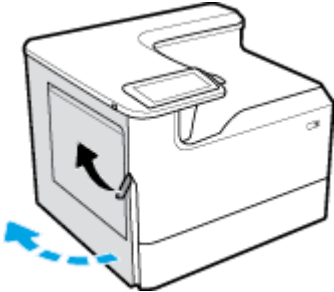
- If an error message about the left duplexer (or service fluid container) appears, see [Reinstall or replace the left duplexer](#).
  - If an error message about the printhead wiper restraints appears, see [Remove the printhead wiper restraints](#).
- 
- Make sure the cables are all connected correctly. If the product is connected to a network, check the following items:
    - Check the light next to the network connection on the product. If the network is active, the light is green.
    - Make sure that you are using a network cable and not a phone cord to connect to the network.
    - Make sure the network router, hub, or switch is turned on and that it is working correctly.
  - Install the HP software from [www.support.hp.com](http://www.support.hp.com). Using generic printer drivers can cause delays clearing jobs from the print queue.
  - From the list of printers on your computer, right-click the name of this product, click **Properties** , and open the **Ports** tab:
    - If you are using a network cable to connect to the network, make sure the printer name listed on the **Ports** tab corresponds to the product name on the product configuration page.
    - If you are using a USB cable and are connecting to a wireless network, make sure the box is checked next to **Virtual printer port for USB**.
  - If you are using a personal firewall system on the computer, it might be blocking communication with the product. Try temporarily disabling the firewall to see if it is the source of the problem.
  - If your computer or the product is connected to a wireless network, low signal quality or interference might be delaying print jobs.

## Reinstall or replace the left duplexer

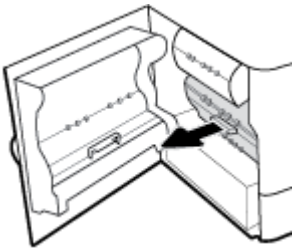
**⚠ CAUTION:** Warning labels appear in certain areas within the printer. For definitions of these labels, see [Warning icons](#).

To resolve issues with the left duplexer, you might need to reinstall or replace it.

1. Open the left door, by pulling up on the left latch.

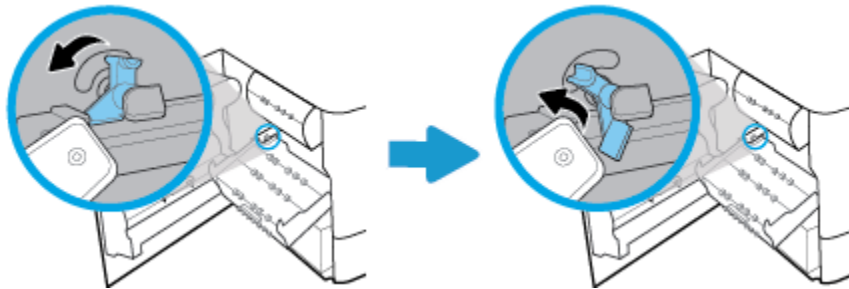


2. Grasp the handle of the duplexer, and pull the duplexer out as far as possible.

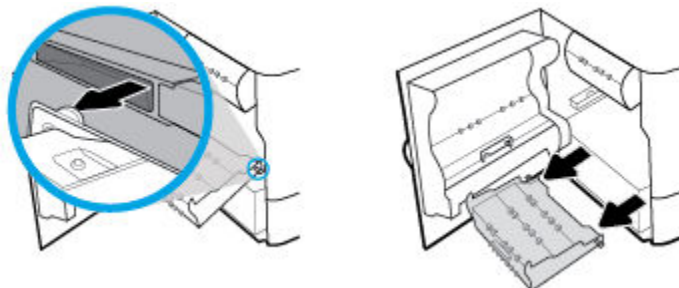


3. To remove the duplexer:

- a. Pull forward the blue latch to release it, and then rotate the duplexer out to free it.



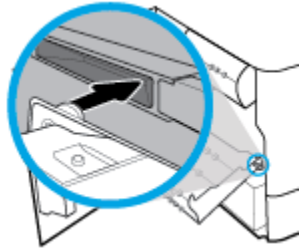
- b. Pull the right-hand side of the duplexer out of the right rail, and remove the duplexer.



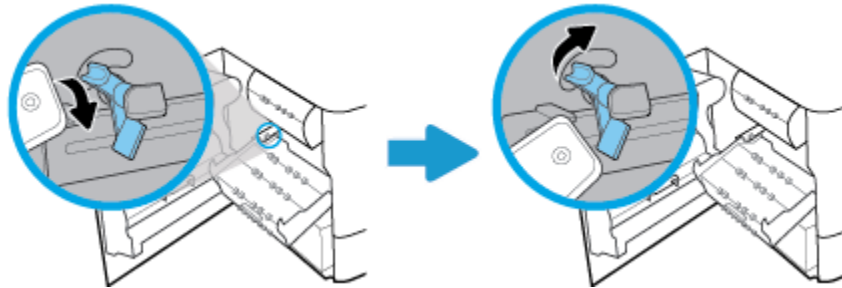
4. To install the duplexer:



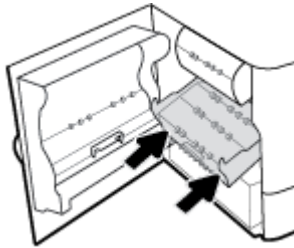
- a. Insert the knob on the right-hand side of the duplexer into the right rail.



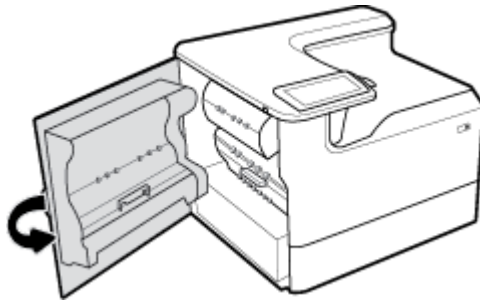
- b. Slide the left-hand side of the duplexer through the opening in the left rail, and then push the blue latch back into position.




5. Insert the duplexer until it snaps into place.



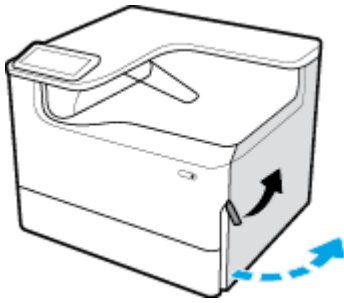
6. Close the left door.



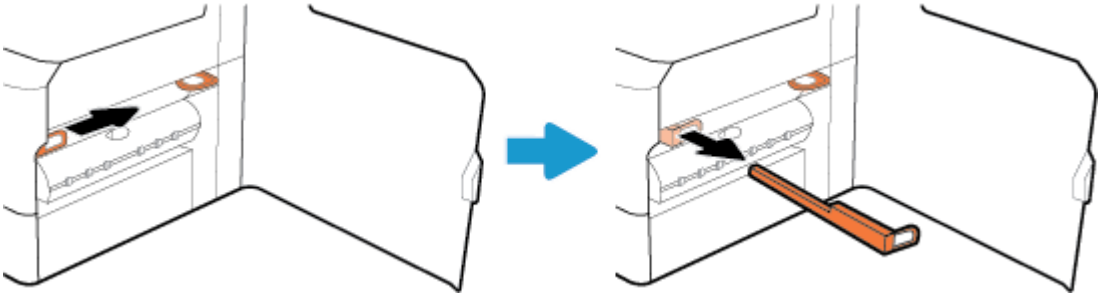
## Remove the printhead wiper restraints

 **NOTE:** Before you can print, you must remove the restraints shipped with the printhead wiper.

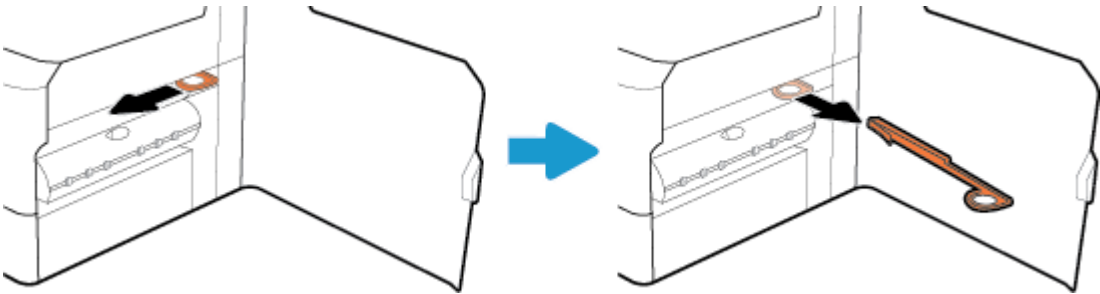
1. Open the right door, by pulling up on the right latch.



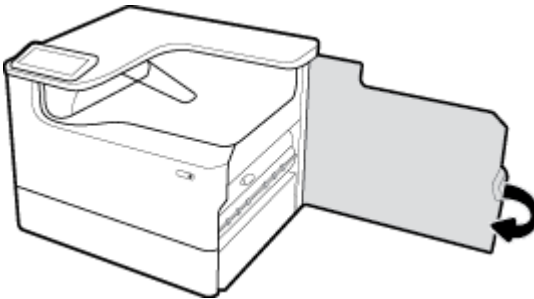
2. Pull the left restraint toward the middle of the printer and remove from the printer.



3. Repeat for the right-hand restraint.



4. Close the right door.



## The product prints slowly

If the product prints, but it seems slow, try the following solutions:

- Make sure the computer meets the minimum specifications for this product. For a list of specifications, visit [HP Customer Support](#).
- If the paper type setting is not correct for the type of paper you are using, change the setting to the correct paper type.
- If your computer or the product is connected to a wireless network, low signal quality or interference might be delaying print jobs.

## Plug-and-print USB issues

- [The Memory Device Options menu does not open when you insert the USB accessory](#)
- [The file does not print from the USB storage device](#)
- [The file that you want to print is not listed in the Memory Device Options menu](#)

### The Memory Device Options menu does not open when you insert the USB accessory

You can print the following types of files:

- You might be using a USB storage device or a file system that this product does not support. Save the files on a standard USB storage device that uses File Allocation Table (FAT) file systems. The product supports FAT12, FAT16, and FAT32 USB storage accessories.
- If another menu is already open, close that menu and then reinsert the USB storage device.
- The USB storage device might have multiple partitions. (Some USB storage device manufacturers install software on the accessory that creates partitions, similar to a CD.) Reformat the USB storage device to remove the partitions, or use a different USB storage device.
- The USB storage device might require more power than the product can provide.
  - a. Remove the USB storage device.
  - b. Turn the product off and then on.
  - c. Use a USB storage device that has its own power supply or that requires less power.
- The USB storage device might not be functioning correctly.
  - a. Remove the USB storage device.
  - b. Turn the product off and then on.
  - c. Try printing from another USB storage device.

### The file does not print from the USB storage device

1. Make sure paper is in the tray.
2. Check the control panel for messages. If paper is jammed in the product, clear the jam.

### The file that you want to print is not listed in the Memory Device Options menu

- PDF
- All photo formats
- Microsoft Office files, except Excel

## Improve print quality

[Step-by-step instructions for resolving most print quality issues](#)

Troubleshoot print quality issues online.

 **NOTE:** The HP online troubleshooting wizards may not be available in all languages.

You can prevent most print-quality problems by following these guidelines.

- [Check for genuine HP cartridges](#)
- [Use paper that meets HP specifications](#)
- [Use the correct paper type setting in the printer driver](#)
- [Use the printer driver that best meets your printing needs](#)
- [Print a print-quality report](#)
- [Align the printhead](#)

### Check for genuine HP cartridges

Your cartridge may not be a genuine HP cartridge. For more information, see [Counterfeit HP cartridges](#). Replace it with a genuine HP cartridge.

### Use paper that meets HP specifications

Use different paper if you are having any of the following problems:

- The printing is too light or seems faded in areas.
- Specks or smears on the printed pages.
- Printed characters seem misformed.
- Printed pages are curled.

Always use a paper type and weight that this product supports. In addition, follow these guidelines when selecting paper:

- Use paper that is of good quality and free of cuts, nicks, tears, spots, loose particles, dust, wrinkles, voids, staples, and curled or bent edges.
- Use paper that has not been previously printed on.
- Use paper that is designed for use in PageWide printers.
- Use paper that is not too rough. Using smoother paper generally results in better print quality.

 **NOTE:** Based on HP internal testing using a range of plain papers, HP highly recommends using papers with the ColorLok® logo for this product. For details, visit the [HP print permanence](#) website.



## Use the correct paper type setting in the printer driver

Check the paper type setting if you are having any of the following problems:

- Smears on the printed pages.
- Repeated marks occur on the printed pages.
- Printed pages are curled.
- Printed pages have small unprinted areas.

### Change the paper type and size setting (Windows)

1. On the **File** menu in the software program, click **Print**.
2. Select the product, and then click the **Properties** or **Preferences** button.
3. Click the **Paper/Quality** tab.
4. Use the **Paper size**, **Paper type**, and **Paper source** drop-down lists to change the defaults as needed, and click **OK**.

### Change the paper type and size setting (OS X)

1. From the **File** menu, select **Page Setup**.
2. In **Format For:**, make sure your printer is selected.
3. From the **Paper Size** pop-up menu, select the correct size.
4. From the **Copies & Pages** pop-up menu, select **Paper/Quality**.
5. From the **Media type:** pop-up menu, select the correct media type.

## Use the printer driver that best meets your printing needs

You might need to use a different printer driver if the printed page has unexpected lines in graphics, missing text, missing graphics, incorrect formatting, or substituted fonts.

---

<b>HP PCL 6 driver</b>	<ul style="list-style-type: none"><li>• Provided as the default driver. This driver is automatically installed when installing the product from <a href="http://www.support.hp.com">www.support.hp.com</a> (recommended) or from the HP software CD provided with the printer, if available.</li><li>• Recommended for all Windows environments. For Windows 7 and later, this driver is XPS-based. For Windows 2003, XP, and Vista, a more basic PCL 6 print driver is provided.</li><li>• Provides the overall best speed, print quality, and product-feature support for most users.</li></ul>
<b>HP UPD PS driver</b>	<ul style="list-style-type: none"><li>• Recommended for printing with Adobe® software programs or with other highly graphics-intensive software programs.</li><li>• Provides support for printing from postscript emulation needs, or for postscript flash font support.</li><li>• This driver is available for download at <a href="http://www.hp.com/go/upd">www.hp.com/go/upd</a>.</li></ul>
<b>HP UPD PCL 6</b>	<ul style="list-style-type: none"><li>• Recommended for printing in all Windows environments.</li><li>• Provides the overall best speed, print quality, and printer feature support for users in managed environments.</li><li>• Developed to align with Windows Graphic Device Interface (GDI) for best speed in Windows environments.</li><li>• This driver is available for download at <a href="http://www.hp.com/go/upd">www.hp.com/go/upd</a>.</li></ul>

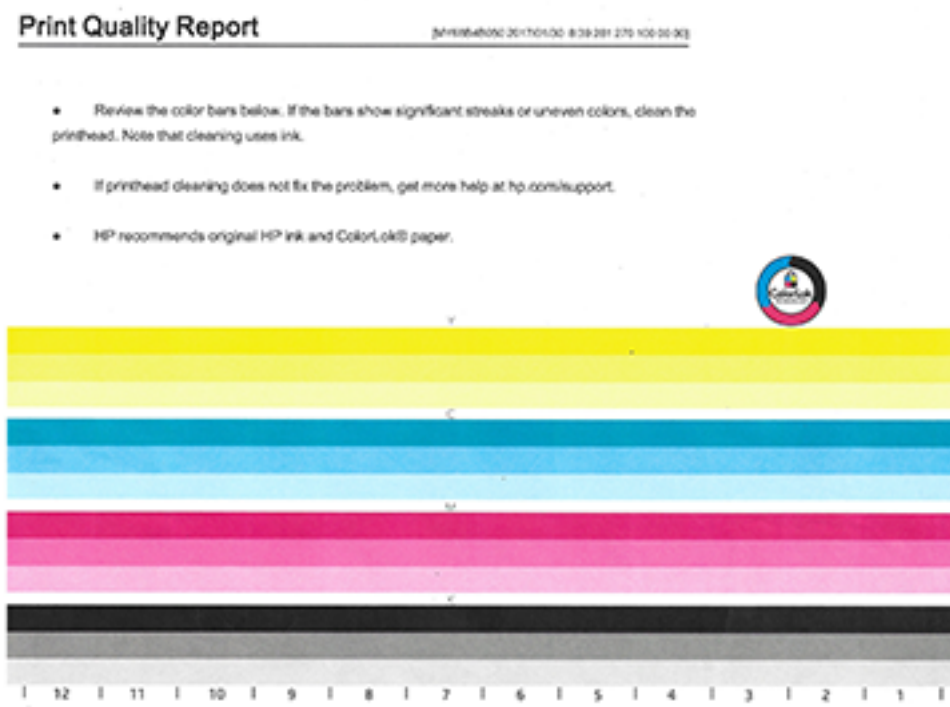
---



**NOTE:** Download additional printer drivers from the [HP Customer Support](#) website.

## Print a print-quality report

Run a Print Quality report and follow the instructions. For more information, see [Information pages](#).



## Align the printhead

1. On the control panel, touch the [Support Tools](#) icon.
2. In the display, touch the [Troubleshooting](#) icon, and then [Print Quality](#).
3. Touch [Tools](#), and then [Align Printhead](#).
4. Follow the prompts on the control panel.

## Connectivity issues

<a href="#">HP Print and Scan Doctor</a>	The <a href="#">HP Print and Scan Doctor</a> is a utility that will try to diagnose and fix the issue automatically. <b>NOTE:</b> This utility is available only for Windows operating systems.
Use an HP online troubleshooting wizard.	<ul style="list-style-type: none"> <li>• <a href="#">Troubleshoot your wireless problem</a>, whether your printer has never been connected or it was connected and is no longer working.</li> <li>• <a href="#">Troubleshoot a firewall or antivirus issue</a>, if you suspect that it is preventing your computer from connecting to the printer.</li> </ul>



**NOTE:** The [HP Print and Scan Doctor](#) and the HP online troubleshooting wizards may not be available in all languages.

- [Solve USB direct-connect problems](#)

- [Solve network problems](#)

## Solve USB direct-connect problems

If you have connected the product directly to a computer, check the USB cable:

- Verify that the cable is connected to the computer and to the product.
- Verify that the cable is not longer than 5 m (16.4 ft). Try using a shorter cable.
- Verify that the cable is working correctly by connecting it with another product. Replace the cable if necessary.

## Solve network problems

Check the following items to verify that the product is communicating with the network. Before beginning, print a configuration page from the control panel and locate the product IP address that is listed on this page.

- [Poor physical connection](#)
- [The computer is using the incorrect IP address for the product](#)
- [The computer is unable to communicate with the product](#)
- [The product is using incorrect link and duplex settings for the network](#)
- [New software programs might be causing compatibility problems](#)
- [The computer or workstation might be set up incorrectly](#)
- [The product is disabled, or other network settings are incorrect](#)

### Poor physical connection

1. Verify that the product is attached to the correct Ethernet port using the proper cable.
2. Verify that cable connections are securely attached.
3. Look at the Ethernet port on the back of the product, and verify that the amber activity light and the green link-status light are active.
4. If the problem continues, try a different cable or port on the network router, switch, or hub.

### The computer is using the incorrect IP address for the product

1. On the computer, open the printer properties and click the **Ports** tab. Verify that the current IP address for the product is selected. The product IP address is listed on the product configuration page or through the control panel.
2. If you installed the product using an HP standard TCP/IP port, select the box labeled **Always print to this printer, even if its IP address changes**.
3. Do one of the following:
  - If you installed the product using a Microsoft standard TCP/IP port, use the hostname instead of the IP address.
  - If you installed the product from [www.support.hp.com](http://www.support.hp.com), you can view or change the product IP address using the following steps:

- a. Open the HP Printer Assistant. For more information, see [Open the HP Printer Assistant](#).
  - b. Click the **Tools** tab.
  - c. Click **Update IP Address** to open a utility that reports the known (“previous”) IP address for the product and allows you to change the IP address, if necessary.
4. If the IP address is correct, delete the product entry from the list of installed printers, and then add it again.

### The computer is unable to communicate with the product

1. Test network communication by pinging the product:
  - a. Open a command-line prompt on your computer. For Windows, click **Start**, click **Run**, and then type `cmd`.
  - b. Type `ping` followed by the IP address for your product.
  - c. If the window displays round-trip times, both the network and device are working.
2. If the ping command failed, verify that the network router, hubs, or switches are on, and then verify that the network settings, the product, and the computer are all configured for the same network.

### The product is using incorrect link and duplex settings for the network

HP recommends leaving this setting in automatic mode (the default setting). If you change these settings, you must also change them for your network.

### New software programs might be causing compatibility problems

Verify that any new software programs are correctly installed and that they use the correct printer driver.

### The computer or workstation might be set up incorrectly

1. Check the network drivers, printer drivers, and the network redirection.
2. Verify that the operating system is configured correctly.

### The product is disabled, or other network settings are incorrect

1. Review the configuration page to check the status of the network protocol. Enable it if necessary.
2. Reconfigure the network settings if necessary.

## Wireless network issues

<a href="#">HP Print and Scan Doctor</a>	The <a href="#">HP Print and Scan Doctor</a> is a utility that will try to diagnose and fix the issue automatically. <b>NOTE:</b> This utility is available only for Windows operating systems.
Use an HP online troubleshooting wizard.	<ul style="list-style-type: none"> <li>• <a href="#">Troubleshoot your wireless problem</a>, whether your printer has never been connected or it was connected and is no longer working.</li> <li>• <a href="#">Troubleshoot a firewall or antivirus issue</a>, if you suspect that it is preventing your computer from connecting to the printer.</li> </ul>



**NOTE:** The [HP Print and Scan Doctor](#) and the HP online troubleshooting wizards may not be available in all languages.



- [Wireless connectivity checklist](#)
- [The product does not print, and the computer has a third-party firewall installed](#)
- [The wireless connection does not work after moving the wireless router or product](#)
- [The wireless product loses communication when connected to a VPN](#)
- [The network does not appear in the wireless networks list](#)

## Wireless connectivity checklist


- The product and the wireless router are turned on and have power. Also make sure the wireless radio in the product is turned on.
- The service set identifier (SSID) is correct. Print a configuration page to determine the SSID. If you are not sure the SSID is correct, run the wireless setup again.
- With secured networks, make sure the security information is correct. If the security information is incorrect, run the wireless setup again.
- If the wireless network is working correctly, try accessing other computers on the wireless network. If the network has Internet access, try connecting to the Internet over another wireless connection.
- The encryption method (AES or TKIP) is the same for the product as it is for the wireless access point, such as a wireless router (on networks using WPA security).
- The product is within the range of the wireless network. For most networks, the product must be within 30 m (100 ft) of the wireless access point (wireless router).
- Obstacles do not block the wireless signal. Remove any large metal objects between the access point and the product. Make sure poles, walls, or support columns containing metal or concrete do not separate the product and wireless access point.
- The product is located away from electronic devices that might interfere with the wireless signal. Many devices can interfere with the wireless signal including motors, cordless phones, security system cameras, other wireless networks, and some Bluetooth devices.
- The printer driver is installed on the computer.
- You have selected the correct printer port.
- The computer and product connect to the same wireless network.

## The product does not print, and the computer has a third-party firewall installed

1. Update the firewall with the most recent update available from the manufacturer.
2. If programs request firewall access when you install the product or try to print, make sure you allow the programs to run.
3. Temporarily turn off the firewall, and then install the wireless product on the computer. Enable the firewall when you have completed the wireless installation.

## The wireless connection does not work after moving the wireless router or product

Make sure that the router or product connects to the same network that your computer connects to.

1. Open the control panel dashboard (swipe the dashboard tab at the top of any screen downward, or touch the strip at the top of the home screen).
2. On the control panel dashboard, touch  (Setup).

3. Touch **Reports** , and then touch **Network Configuration Page** to print the report.
4. Compare the service set identifier (SSID) on the configuration report to the SSID in the printer configuration for your computer.
5. If the SSIDs are not the same, the devices are not connecting to the same network. Reconfigure the wireless setup for your product.

## The wireless product loses communication when connected to a VPN

- Typically, you cannot connect to a VPN and other networks at the same time.

## The network does not appear in the wireless networks list

- Make sure the wireless router is turned on and has power.
- The network might be hidden. However, you can still connect to a hidden network.

## Product software issues (Windows)

Problem	Solution
A printer driver for the product is not visible in the <b>Printer</b> folder.	<ul style="list-style-type: none"> <li>• Reinstall the product software. <b>NOTE:</b> Close any applications that are running. To close an application that has an icon in the system tray, right-click the icon, and select <b>Close</b> or <b>Disable</b>.</li> <li>• Try plugging the USB cable into a different USB port on the computer.</li> </ul>
An error message was displayed during the software installation.	<ul style="list-style-type: none"> <li>• Reinstall the product software. <b>NOTE:</b> Close any applications that are running. To close an application that has an icon in the task bar, right-click the icon, and select <b>Close</b> or <b>Disable</b>.</li> <li>• Check the amount of free space on the drive where you are installing the product software. If necessary, free up as much space as you can, and reinstall the product software.</li> <li>• If necessary, run the Disk Defragmenter, and reinstall the product software.</li> </ul>
The product is in Ready mode, but nothing prints.	<ul style="list-style-type: none"> <li>• Print a configuration page from the control panel, and verify the product functionality.</li> <li>• Verify that all of the cables are correctly seated and within specifications. This includes the USB and power cables. Try a new cable.</li> <li>• Verify the IP Address on the Configuration Page matches the IP address for the software port. Use one of the following procedures: <ul style="list-style-type: none"> <li>— <b>Windows XP, Windows Server 2003, Windows Server 2008, and Windows Vista</b>, installed without using the fully featured installer (such as Add Printer Wizard in Windows): <ol style="list-style-type: none"> <li>1. Click <b>Start</b>.</li> <li>2. Click <b>Settings</b>.</li> <li>3. Click <b>Printers</b>.</li> <li>4. Right-click the product driver icon, and then select <b>Properties</b> .</li> <li>5. Click the <b>Ports</b> tab, and then click <b>Configure Port</b>.</li> <li>6. Verify the IP address, and then click <b>OK</b> or <b>Cancel</b>.</li> <li>7. If the IP Addresses are not the same, delete the driver, and reinstall the driver using the correct IP address.</li> </ol> </li> <li>— <b>Windows 7</b>, installed without using the fully featured installer (such as Add Printer Wizard in Windows):</li> </ul> </li> </ul>

Problem	Solution
	<ol style="list-style-type: none"> <li>1. Click <b>Start</b>.</li> <li>2. Click <b>Devices and Printers</b>.</li> <li>3. Right-click the product driver icon, and then select <b>Printer properties</b>.</li> <li>4. Click the <b>Ports</b> tab, and then click <b>Configure Port</b>.</li> <li>5. Verify the IP address, and then click <b>OK</b> or <b>Cancel</b>.</li> <li>6. If the IP Addresses are not the same, delete the driver, and reinstall the driver using the correct IP address.</li> </ol> <p>— <b>Windows XP, Windows Server 2003, Windows Server 2008, Windows Vista, and Windows 7</b>, installed using the fully featured installer:</p> <ol style="list-style-type: none"> <li>1. Click <b>Start</b>.</li> <li>2. Click <b>All Programs</b>.</li> <li>3. Click <b>HP</b>.</li> <li>4. Click your product.</li> <li>5. Click <b>Update IP Address</b> to open a utility that reports the known (“previous”) IP address for the product and allows you to change the IP address, if necessary.</li> </ol> <p><b>NOTE:</b></p> <ul style="list-style-type: none"> <li>• You can also update the IP address from the <b>Tools</b> tab in the HP Printer Assistant.</li> <li>• For best results with Windows 8 or later, use the HP Printer Assistant to update the IP address.</li> </ul>

## Product software issues (OS X)

### A print job was not sent to the product that you wanted

1. Open the print queue and restart the print job.
2. Another product with the same or similar name might have received your print job. Print a configuration page to check the product name. Verify that the name on the configuration page matches the product name in the Printers list.

### You are using a generic printer driver when using a USB connection

If you connected the USB cable before you installed the software, you might be using a generic printer driver instead of the driver for this product.

1. Delete the generic printer driver.
2. Reinstall the software from the product CD. Do not connect the USB cable until the software installation program prompts you.
3. If multiple printers are installed, make sure that you have selected the correct printer in the **Format For** pop-up menu in the **Print** dialog box.

## 8 Service and support

- [Customer support](#)
- [HP limited warranty statement](#)

### Customer support

If you need help solving a problem, contact the printer administrator or technical support.

### HP limited warranty statement

HP PRODUCT	DURATION OF LIMITED WARRANTY
Printer	90 days

This HP Limited Warranty applies only to HP branded products sold or leased a) from HP Inc., its subsidiaries, affiliates, authorized resellers, authorized distributors, or country distributors; b) with this HP Limited Warranty.

HP warrants to you, the end-user customer, that HP hardware and accessories will be free from defects in materials and workmanship after the date of purchase, for the period specified above. If HP receives notice of such defects during the warranty period, HP will, at its option, either repair or replace products which prove to be defective. Replacement products may be either new or equivalent in performance to new.

HP warrants to you that HP software will not fail to execute its programming instructions after the date of purchase, for the period specified above, due to defects in material and workmanship when properly installed and used. If HP receives notice of such defects during the warranty period, HP will replace software which does not execute its programming instructions due to such defects.

HP does not warrant that the operation of HP products will be uninterrupted or error free. If HP is unable, within a reasonable time, to repair or replace any product to a condition as warranted, you will be entitled to a refund of the purchase price upon prompt return of the product.

HP products may contain remanufactured parts equivalent to new in performance or may have been subject to incidental use.

Warranty does not apply to defects resulting from (a) improper or inadequate maintenance or calibration, (b) software, interfacing, parts or supplies not supplied by HP, (c) unauthorized modification or misuse, (d) operation outside of the published environmental specifications for the product, or (e) improper site preparation or maintenance.

HP's limited warranty is void in the event the printer is attached to an aftermarket apparatus or system that modifies the printer's functionality such as a continuous ink system.

TO THE EXTENT ALLOWED BY LOCAL LAW, THE ABOVE WARRANTIES ARE EXCLUSIVE AND NO OTHER WARRANTY OR CONDITION, WHETHER WRITTEN OR ORAL, IS EXPRESSED OR IMPLIED AND HP SPECIFICALLY DISCLAIMS ANY IMPLIED WARRANTIES OR CONDITIONS OF MERCHANTABILITY, SATISFACTORY QUALITY, AND FITNESS FOR A PARTICULAR PURPOSE. Some countries/regions, states or provinces do not allow limitations on the duration of an implied warranty, so the above limitation or exclusion might not apply to you. This

warranty gives you specific legal rights and you might also have other rights that vary from country/region to country/region, state to state, or province to province.

HP's limited warranty is valid in any country/region or locality where HP has a support presence for this product and where HP has marketed this product. The level of warranty service you receive may vary according to local standards. HP will not alter form, fit or function of the product to make it operate in a country/region for which it was never intended to function for legal or regulatory reasons.

**TO THE EXTENT ALLOWED BY LOCAL LAW, THE REMEDIES IN THIS WARRANTY STATEMENT ARE YOUR SOLE AND EXCLUSIVE REMEDIES. EXCEPT AS INDICATED ABOVE, IN NO EVENT WILL HP OR ITS SUPPLIERS BE LIABLE FOR LOSS OF DATA OR FOR DIRECT, SPECIAL, INCIDENTAL, CONSEQUENTIAL (INCLUDING LOST PROFIT OR DATA), OR OTHER DAMAGE, WHETHER BASED IN CONTRACT, TORT, OR OTHERWISE. Some countries/regions, states or provinces do not allow the exclusion or limitation of incidental or consequential damages, so the above limitation or exclusion may not apply to you.**

**THE WARRANTY TERMS CONTAINED IN THIS STATEMENT, EXCEPT TO THE EXTENT LAWFULLY PERMITTED, DO NOT EXCLUDE, RESTRICT OR MODIFY AND ARE IN ADDITION TO THE MANDATORY STATUTORY RIGHTS APPLICABLE TO THE SALE OF THIS PRODUCT TO YOU.**

## UK, Ireland, and Malta

The HP Limited Warranty is a commercial guarantee voluntarily provided by HP. The name and address of the HP entity responsible for the performance of the HP Limited Warranty in your country/region is as follows:

**UK:** HP Inc UK Limited, Cain Road, Amen Corner, Bracknell, Berkshire, RG12 1HN

**Ireland:** Hewlett-Packard Ireland Limited, Liffey Park Technology Campus, Barnhall Road, Leixlip, Co.Kildare

**Malta:** Hewlett-Packard Europe B.V., Amsterdam, Meyrin Branch, Route du Nant-d'Avril 150, 1217 Meyrin, Switzerland

**United Kingdom:** The HP Limited Warranty benefits apply in addition to any legal rights to a guarantee from seller of nonconformity of goods with the contract of sale. These rights expire six years from delivery of goods for products purchased in England or Wales and five years from delivery of goods for products purchased in Scotland. However various factors may impact your eligibility to receive these rights. For further information, please consult the following link: Consumer Legal Guarantee ([www.hp.com/go/eu-legal](http://www.hp.com/go/eu-legal)) or you may visit the European Consumer Centers website ([http://ec.europa.eu/consumers/solving\\_consumer\\_disputes/non-judicial\\_redress/ecc-net/index\\_en.htm](http://ec.europa.eu/consumers/solving_consumer_disputes/non-judicial_redress/ecc-net/index_en.htm)). Consumers have the right to choose whether to claim service under the HP Limited Warranty or against the seller under the legal guarantee.

**Ireland:** The HP Limited Warranty benefits apply in addition to any statutory rights from seller in relation to nonconformity of goods with the contract of sale. However various factors may impact your eligibility to receive these rights. Consumer statutory rights are not limited or affected in any manner by HP Care Pack. For further information, please consult the following link: Consumer Legal Guarantee ([www.hp.com/go/eu-legal](http://www.hp.com/go/eu-legal)) or you may visit the European Consumer Centers website ([http://ec.europa.eu/consumers/solving\\_consumer\\_disputes/non-judicial\\_redress/ecc-net/index\\_en.htm](http://ec.europa.eu/consumers/solving_consumer_disputes/non-judicial_redress/ecc-net/index_en.htm)). Consumers have the right to choose whether to claim service under the HP Limited Warranty or against the seller under the legal guarantee.

**Malta:** The HP Limited Warranty benefits apply in addition to any legal rights to a two-year guarantee from seller of nonconformity of goods with the contract of sale; however various factors may impact your eligibility to receive these rights. Consumer statutory rights are not limited or affected in any manner by the HP Limited Warranty. For further information, please consult the following link: Consumer Legal Guarantee ([www.hp.com/go/eu-legal](http://www.hp.com/go/eu-legal)) or you may visit the European Consumer Centers website ([http://ec.europa.eu/consumers/solving\\_consumer\\_disputes/non-judicial\\_redress/ecc-net/index\\_en.htm](http://ec.europa.eu/consumers/solving_consumer_disputes/non-judicial_redress/ecc-net/index_en.htm)). Consumers have the right to choose whether to claim service under the HP Limited Warranty or against the seller under two-year legal guarantee.

## Austria, Belgium, Germany, and Luxembourg

Die beschränkte HP Herstellergarantie ist eine von HP auf freiwilliger Basis angebotene kommerzielle Garantie. Der Name und die Adresse der HP Gesellschaft, die in Ihrem Land für die Gewährung der beschränkten HP Herstellergarantie verantwortlich ist, sind wie folgt:

**Deutschland:** HP Deutschland GmbH, Schickardstr. 32, D-71034 Böblingen

**Österreich:** HP Austria GmbH., Technologiestrasse 5, A-1120 Wien

**Luxemburg:** Hewlett-Packard Luxembourg S.C.A., 75, Parc d'Activités Capellen, Rue Pafebruc, L-8308 Capellen

**Belgien:** HP Belgium BVBA, Hermeslaan 1A, B-1831 Diegem

Die Rechte aus der beschränkten HP Herstellergarantie gelten zusätzlich zu den gesetzlichen Ansprüchen wegen Sachmängeln auf eine zweijährige Gewährleistung ab dem Lieferdatum. Ob Sie Anspruch auf diese Rechte haben, hängt von zahlreichen Faktoren ab. Die Rechte des Kunden sind in keiner Weise durch die beschränkte HP Herstellergarantie eingeschränkt bzw. betroffen. Weitere Hinweise finden Sie auf der folgenden Website: Gewährleistungsansprüche für Verbraucher ([www.hp.com/go/eu-legal](http://www.hp.com/go/eu-legal)) oder Sie können

die Website des Europäischen Verbraucherzentrums ([http://ec.europa.eu/consumers/solving\\_consumer\\_disputes/non-judicial\\_redress/ecc-net/index\\_en.htm](http://ec.europa.eu/consumers/solving_consumer_disputes/non-judicial_redress/ecc-net/index_en.htm)) besuchen. Verbraucher haben das Recht zu wählen, ob sie eine Leistung von HP gemäß der beschränkten HP Herstellergarantie in Anspruch nehmen oder ob sie sich gemäß der gesetzlichen zweijährigen Haftung für Sachmängel (Gewährleistung) sich an den jeweiligen Verkäufer wenden.

## Belgium, France, and Luxemburg

La garantie limitée HP est une garantie commerciale fournie volontairement par HP. Voici les coordonnées de l'entité HP responsable de l'exécution de la garantie limitée HP dans votre pays:

**France:** HP France SAS, société par actions simplifiée identifiée sous le numéro 448 694 133 RCS Evry, 1 Avenue du Canada, 91947, Les Ulis

**G.D. Luxemburg:** Hewlett-Packard Luxemburg S.C.A., 75, Parc d'Activités Capellen, Rue Pafebruc, L-8308 Capellen

**Belgique:** HP Belgium BVBA, Hermeslaan 1A, B-1831 Diegem

**France:** Les avantages de la garantie limitée HP s'appliquent en complément des droits dont vous disposez au titre des garanties légales applicables dont le bénéfice est soumis à des conditions spécifiques. Vos droits en tant que consommateur au titre de la garantie légale de conformité mentionnée aux articles L. 211-4 à L. 211-13 du Code de la Consommation et de celle relatives aux défauts de la chose vendue, dans les conditions prévues aux articles 1641 à 1648 et 2232 du Code de Commerce ne sont en aucune façon limités ou affectés par la garantie limitée HP. Pour de plus amples informations, veuillez consulter le lien suivant : Garanties légales accordées au consommateur ([www.hp.com/go/eu-legal](http://www.hp.com/go/eu-legal)). Vous pouvez également consulter le site Web des Centres européens des consommateurs ([http://ec.europa.eu/consumers/solving\\_consumer\\_disputes/non-judicial\\_redress/ecc-net/index\\_en.htm](http://ec.europa.eu/consumers/solving_consumer_disputes/non-judicial_redress/ecc-net/index_en.htm)). Les consommateurs ont le droit de choisir d'exercer leurs droits au titre de la garantie limitée HP, ou auprès du vendeur au titre des garanties légales applicables mentionnées ci-dessus.

### POUR RAPPEL:

Garantie Légale de Conformité:

*« Le vendeur est tenu de livrer un bien conforme au contrat et répond des défauts de conformité existant lors de la délivrance.*

*Il répond également des défauts de conformité résultant de l'emballage, des instructions de montage ou de l'installation lorsque celle-ci a été mise à sa charge par le contrat ou a été réalisée sous sa responsabilité ».*

Article L211-5 du Code de la Consommation:

*« Pour être conforme au contrat, le bien doit:*

*1° Etre propre à l'usage habituellement attendu d'un bien semblable et, le cas échéant:*

*- correspondre à la description donnée par le vendeur et posséder les qualités que celui-ci a présentées à l'acheteur sous forme d'échantillon ou de modèle;*

*- présenter les qualités qu'un acheteur peut légitimement attendre eu égard aux déclarations publiques faites par le vendeur, par le producteur ou par son représentant, notamment dans la publicité ou l'étiquetage;*

*2° Ou présenter les caractéristiques définies d'un commun accord par les parties ou être propre à tout usage spécial recherché par l'acheteur, porté à la connaissance du vendeur et que ce dernier a accepté ».*

Article L211-12 du Code de la Consommation:

*« L'action résultant du défaut de conformité se prescrit par deux ans à compter de la délivrance du bien ».*

Garantie des vices cachés

Article 1641 du Code Civil : « *Le vendeur est tenu de la garantie à raison des défauts cachés de la chose vendue qui la rendent impropre à l'usage auquel on la destine, ou qui diminuent tellement cet usage que l'acheteur ne l'aurait pas acquise, ou n'en aurait donné qu'un moindre prix, s'il les avait connus.* »

Article 1648 alinéa 1 du Code Civil:

« *L'action résultant des vices rédhibitoires doit être intentée par l'acquéreur dans un délai de deux ans à compter de la découverte du vice.* »

**G.D. Luxembourg et Belgique:** Les avantages de la garantie limitée HP s'appliquent en complément des droits dont vous disposez au titre de la garantie de non-conformité des biens avec le contrat de vente. Cependant, de nombreux facteurs peuvent avoir un impact sur le bénéfice de ces droits. Vos droits en tant que consommateur au titre de ces garanties ne sont en aucune façon limités ou affectés par la garantie limitée HP. Pour de plus amples informations, veuillez consulter le lien suivant : Garanties légales accordées au consommateur ([www.hp.com/go/eu-legal](http://www.hp.com/go/eu-legal)) ou vous pouvez également consulter le site Web des Centres européens des consommateurs ([http://ec.europa.eu/consumers/solving\\_consumer\\_disputes/non-judicial\\_redress/ecc-net/index\\_en.htm](http://ec.europa.eu/consumers/solving_consumer_disputes/non-judicial_redress/ecc-net/index_en.htm)). Les consommateurs ont le droit de choisir de réclamer un service sous la garantie limitée HP ou auprès du vendeur au cours d'une garantie légale de deux ans.

## Italy

La Garanzia limitata HP è una garanzia commerciale fornita volontariamente da HP. Di seguito sono indicati nome e indirizzo della società HP responsabile della fornitura dei servizi coperti dalla Garanzia limitata HP nel vostro Paese:

**Italia:** HP Italy S.r.l., Via G. Di Vittorio 9, 20063 Cernusco S/Naviglio

I vantaggi della Garanzia limitata HP vengono concessi ai consumatori in aggiunta ai diritti derivanti dalla garanzia di due anni fornita dal venditore in caso di non conformità dei beni rispetto al contratto di vendita. Tuttavia, diversi fattori possono avere un impatto sulla possibilità di beneficiare di tali diritti. I diritti spettanti ai consumatori in forza della garanzia legale non sono in alcun modo limitati, né modificati dalla Garanzia limitata HP. Per ulteriori informazioni, si prega di consultare il seguente link: Garanzia legale per i clienti ([www.hp.com/go/eu-legal](http://www.hp.com/go/eu-legal)), oppure visitare il sito Web dei Centri europei per i consumatori ([http://ec.europa.eu/consumers/solving\\_consumer\\_disputes/non-judicial\\_redress/ecc-net/index\\_en.htm](http://ec.europa.eu/consumers/solving_consumer_disputes/non-judicial_redress/ecc-net/index_en.htm)). I consumatori hanno il diritto di scegliere se richiedere un servizio usufruendo della Garanzia limitata HP oppure rivolgendosi al venditore per far valere la garanzia legale di due anni.

## Spain

Su Garantía limitada de HP es una garantía comercial voluntariamente proporcionada por HP. El nombre y dirección de las entidades HP que proporcionan la Garantía limitada de HP (garantía comercial adicional del fabricante) en su país es:

**España:** Hewlett-Packard Española S.L. Calle Vicente Aleixandre, 1 Parque Empresarial Madrid - Las Rozas, E-28232 Madrid

Los beneficios de la Garantía limitada de HP son adicionales a la garantía legal de 2 años a la que los consumidores tienen derecho a recibir del vendedor en virtud del contrato de compraventa; sin embargo, varios factores pueden afectar su derecho a recibir los beneficios bajo dicha garantía legal. A este respecto, la Garantía limitada de HP no limita o afecta en modo alguno los derechos legales del consumidor ([www.hp.com/go/eu-legal](http://www.hp.com/go/eu-legal)). Para más información, consulte el siguiente enlace: Garantía legal del consumidor o puede visitar el sitio web de los Centros europeos de los consumidores ([http://ec.europa.eu/consumers/solving\\_consumer\\_disputes/non-judicial\\_redress/ecc-net/index\\_en.htm](http://ec.europa.eu/consumers/solving_consumer_disputes/non-judicial_redress/ecc-net/index_en.htm)). Los clientes tienen derecho a elegir si reclaman un servicio acogiéndose a la Garantía limitada de HP o al vendedor de conformidad con la garantía legal de dos años.



## Denmark

Den begrænsede HP-garanti er en garanti, der ydes frivilligt af HP. Navn og adresse på det HP-selskab, der er ansvarligt for HP's begrænsede garanti i dit land, er som følger:

**Danmark:** HP Inc Danmark ApS, Engholm Parkvej 8, 3450, Allerød

Den begrænsede HP-garanti gælder i tillæg til eventuelle juridiske rettigheder, for en toårig garanti fra sælgeren af varer, der ikke er i overensstemmelse med salgsaftalen, men forskellige faktorer kan dog påvirke din ret til at opnå disse rettigheder. Forbrugerens lovbestemte rettigheder begrænses eller påvirkes ikke på nogen måde af den begrænsede HP-garanti. Se nedenstående link for at få yderligere oplysninger: Forbrugerens juridiske garanti ([www.hp.com/go/eu-legal](http://www.hp.com/go/eu-legal)) eller du kan besøge De Europæiske Forbrugercentres websted ([http://ec.europa.eu/consumers/solving\\_consumer\\_disputes/non-judicial\\_redress/ecc-net/index\\_en.htm](http://ec.europa.eu/consumers/solving_consumer_disputes/non-judicial_redress/ecc-net/index_en.htm)). Forbrugere har ret til at vælge, om de vil gøre krav på service i henhold til HP's begrænsede garanti eller hos sælger i henhold til en toårig juridisk garanti.

## Norway

HPs garanti er en begrenset og kommersiell garanti som HP selv har valgt å tilby. Følgende lokale selskap innestår for garantien:

**Norge:** HP Norge AS, Rolfbuktveien 4b, 1364 Fornebu

HPs garanti kommer i tillegg til det mangelsansvar HP har i henhold til norsk forbrukerkjøpslovgivning, hvor reklamasjonsperioden kan være to eller fem år, avhengig av hvor lenge salgsgjenstanden var ment å vare. Ulike faktorer kan imidlertid ha betydning for om du kvalifiserer til å kreve avhjelp iht slikt mangelsansvar. Forbrukerens lovmessige rettigheter begrenses ikke av HPs garanti. Hvis du vil ha mer informasjon, kan du klikke på følgende kobling: Juridisk garanti for forbruker ([www.hp.com/go/eu-legal](http://www.hp.com/go/eu-legal)) eller du kan besøke nettstedet til de europeiske forbrukersentrene ([http://ec.europa.eu/consumers/solving\\_consumer\\_disputes/non-judicial\\_redress/ecc-net/index\\_en.htm](http://ec.europa.eu/consumers/solving_consumer_disputes/non-judicial_redress/ecc-net/index_en.htm)). Forbrukere har retten til å velge å kreve service under HPs garanti eller iht selgerens lovpålagte mangelsansvar.

## Sweden

HP:s begränsade garanti är en kommersiell garanti som tillhandahålls frivilligt av HP. Namn och adress till det HP-företag som ansvarar för HP:s begränsade garanti i ditt land är som följer:

**Sverige:** HP PPS Sverige AB, SE-169 73 Stockholm

Fördelarna som ingår i HP:s begränsade garanti gäller utöver de lagstadgade rättigheterna till tre års garanti från säljaren angående varans bristande överensstämmelse gentemot köpeavtalet, men olika faktorer kan påverka din rätt att utnyttja dessa rättigheter. Konsumentens lagstadgade rättigheter varken begränsas eller påverkas på något sätt av HP:s begränsade garanti. Mer information får du om du följer denna länk: Lagstadgad garanti för konsumenter ([www.hp.com/go/eu-legal](http://www.hp.com/go/eu-legal)) eller så kan du gå till European Consumer Centers webbplats ([http://ec.europa.eu/consumers/solving\\_consumer\\_disputes/non-judicial\\_redress/ecc-net/index\\_en.htm](http://ec.europa.eu/consumers/solving_consumer_disputes/non-judicial_redress/ecc-net/index_en.htm)). Konsumenter har rätt att välja om de vill ställa krav enligt HP:s begränsade garanti eller på säljaren enligt den lagstadgade treåriga garantin.

## Portugal

A Garantia Limitada HP é uma garantia comercial fornecida voluntariamente pela HP. O nome e a morada da entidade HP responsável pela prestação da Garantia Limitada HP no seu país são os seguintes:

**Portugal:** HPCP – Computing and Printing Portugal, Unipessoal, Lda., Edifício D. Sancho I, Quinta da Fonte, Porto Salvo, Lisboa, Oeiras, 2740 244

As vantagens da Garantia Limitada HP aplicam-se cumulativamente com quaisquer direitos decorrentes da legislação aplicável à garantia de dois anos do vendedor, relativa a defeitos do produto e constante do

contrato de venda. Existem, contudo, vários fatores que poderão afetar a sua elegibilidade para beneficiar de tais direitos. Os direitos legalmente atribuídos aos consumidores não são limitados ou afetados de forma alguma pela Garantia Limitada HP. Para mais informações, consulte a ligação seguinte: Garantia legal do consumidor ([www.hp.com/go/eu-legal](http://www.hp.com/go/eu-legal)) ou visite o Web site da Rede dos Centros Europeus do Consumidor ([http://ec.europa.eu/consumers/solving\\_consumer\\_disputes/non-judicial\\_redress/ecc-net/index\\_en.htm](http://ec.europa.eu/consumers/solving_consumer_disputes/non-judicial_redress/ecc-net/index_en.htm)). Os consumidores têm o direito de escolher se pretendem reclamar assistência ao abrigo da Garantia Limitada HP ou contra o vendedor ao abrigo de uma garantia jurídica de dois anos.

## Greece and Cyprus

Η Περιορισμένη εγγύηση HP είναι μια εμπορική εγγύηση η οποία παρέχεται εθελοντικά από την HP. Η επωνυμία και η διεύθυνση του νομικού προσώπου HP που παρέχει την Περιορισμένη εγγύηση HP στη χώρα σας είναι η εξής:

**Ελλάδα /Κύπρος:** HP Printing and Personal Systems Hellas EPE, Tzavella 1-3, 15232 Chalandri, Attiki

**Ελλάδα /Κύπρος:** HP Συστήματα Εκτύπωσης και Προσωπικών Υπολογιστών Ελλάς Εταιρεία Περιορισμένης Ευθύνης, Tzavella 1-3, 15232 Chalandri, Attiki

Τα προνόμια της Περιορισμένης εγγύησης HP ισχύουν επιπλέον των νόμιμων δικαιωμάτων για διετή εγγύηση έναντι του Πωλητή για τη μη συμμόρφωση των προϊόντων με τις συνομολογημένες συμβατικά ιδιότητες, ωστόσο η άσκηση των δικαιωμάτων σας αυτών μπορεί να εξαρτάται από διάφορους παράγοντες. Τα νόμιμα δικαιώματα των καταναλωτών δεν περιορίζονται ούτε επηρεάζονται καθ' οιονδήποτε τρόπο από την Περιορισμένη εγγύηση HP. Για περισσότερες πληροφορίες, συμβουλευτείτε την ακόλουθη τοποθεσία web: Νόμιμη εγγύηση καταναλωτή ([www.hp.com/go/eu-legal](http://www.hp.com/go/eu-legal)) ή μπορείτε να επισκεφτείτε την τοποθεσία web των Ευρωπαϊκών Κέντρων Καταναλωτή ([http://ec.europa.eu/consumers/solving\\_consumer\\_disputes/non-judicial\\_redress/ecc-net/index\\_en.htm](http://ec.europa.eu/consumers/solving_consumer_disputes/non-judicial_redress/ecc-net/index_en.htm)). Οι καταναλωτές έχουν το δικαίωμα να επιλέξουν αν θα αξιώσουν την υπηρεσία στα πλαίσια της Περιορισμένης εγγύησης HP ή από τον πωλητή στα πλαίσια της νόμιμης εγγύησης δύο ετών.

## Hungary

A HP korlátozott jótállás egy olyan kereskedelmi jótállás, amelyet a HP a saját elhatározásából biztosít. Az egyes országokban a HP mint gyártó által vállalt korlátozott jótállást biztosító HP vállalatok neve és címe:

**Magyarország:** HP Inc Magyarország Kft., H-1117 Budapest, Alíz utca 1.

A HP korlátozott jótállásban biztosított jogok azokon a jogokon felül illetik meg Önt, amelyek a termékeknek az adásvételi szerződés szerinti minőségére vonatkozó kétéves, jogszabályban foglalt eladói szavatosságból, továbbá ha az Ön által vásárolt termékre alkalmazandó, a jogszabályban foglalt kötelező eladói jótállásból erednek, azonban számos körülmény hatással lehet arra, hogy ezek a jogok Önt megilletik-e. További információért kérjük, keresse fel a következő webhelyet: Jogi Tájékoztató Fogyasztóknak ([www.hp.com/go/eu-legal](http://www.hp.com/go/eu-legal)) vagy látogassa meg az Európai Fogyasztói Központok webhelyét ([http://ec.europa.eu/consumers/solving\\_consumer\\_disputes/non-judicial\\_redress/ecc-net/index\\_en.htm](http://ec.europa.eu/consumers/solving_consumer_disputes/non-judicial_redress/ecc-net/index_en.htm)). A fogyasztóknak jogában áll, hogy megválasszák, hogy a jótállással kapcsolatos igényüket a HP korlátozott jótállás alapján vagy a kétéves, jogszabályban foglalt eladói szavatosság, illetve, ha alkalmazandó, a jogszabályban foglalt kötelező eladói jótállás alapján érvényesítik.

## Czech Republic

Omezená záruka HP je obchodní zárukou dobrovolně poskytovanou společností HP. Názvy a adresy společností skupiny HP, které odpovídají za plnění omezené záruky HP ve vaší zemi, jsou následující:

**Česká republika:** HP Inc Czech Republic s. r. o., Za Brumlovkou 5/1559, 140 00 Praha 4

Výhody, poskytované omezenou zárukou HP, se uplatňují jako doplněk k jakýmkoli právním nárokům na dvouletou záruku poskytnutou prodejcem v případě nesouladu zboží s kupní smlouvou. Váš nárok na uznání těchto práv však může záviset na mnohých faktorech. Omezená záruka HP žádným způsobem neomezuje ani

neovlivňuje zákonná práva zákazníka. Další informace získáte kliknutím na následující odkaz: Zákonná záruka spotřebitele ([www.hp.com/go/eu-legal](http://www.hp.com/go/eu-legal)) případně můžete navštívit webové stránky Evropského spotřebitelského centra ([http://ec.europa.eu/consumers/solving\\_consumer\\_disputes/non-judicial\\_redress/ecc-net/index\\_en.htm](http://ec.europa.eu/consumers/solving_consumer_disputes/non-judicial_redress/ecc-net/index_en.htm)). Spotřebitelé mají právo se rozhodnout, zda chtějí službu reklamovat v rámci omezené záruky HP nebo v rámci zákonem stanovené dvouleté záruky u prodejce.

## Slovakia

Obmedzená záruka HP je obchodná záruka, ktorú spoločnosť HP poskytuje dobrovoľne. Meno a adresa subjektu HP, ktorý zabezpečuje plnenie vyplývajúce z Obmedzenej záruky HP vo vašej krajine:

**Slovenská republika:** HP Inc Slovakia, s.r.o., Galvaniho 7, 821 04 Bratislava

Výhody Obmedzenej záruky HP sa uplatnia vedľa prípadných zákazníkových zákonných nárokov voči predávajúcemu z väd, ktoré spočívajú v nesúlade vlastností tovaru s jeho popisom podľa predmetnej zmluvy. Možnosť uplatnenia takých prípadných nárokov však môže závisieť od rôznych faktorov. Služby Obmedzenej záruky HP žiadnym spôsobom neobmedzujú ani neovplyvňujú zákonné práva zákazníka, ktorý je spotrebiteľom. Ďalšie informácie nájdete na nasledujúcom prepojení: Zákonná záruka spotrebiteľa ([www.hp.com/go/eu-legal](http://www.hp.com/go/eu-legal)), prípadne môžete navštíviť webovú lokalitu európskych zákazníckych stredísk ([http://ec.europa.eu/consumers/solving\\_consumer\\_disputes/non-judicial\\_redress/ecc-net/index\\_en.htm](http://ec.europa.eu/consumers/solving_consumer_disputes/non-judicial_redress/ecc-net/index_en.htm)). Spotrebiteľia majú právo zvoliť si, či chcú uplatniť servis v rámci Obmedzenej záruky HP alebo počas zákonnej dvojročnej záručnej lehoty u predajcu.

## Poland

Ograniczona gwarancja HP to komercyjna gwarancja udzielona dobrowolnie przez HP. Nazwa i adres podmiotu HP odpowiedzialnego za realizację Ograniczonej gwarancji HP w Polsce:

**Polska:** HP Inc Polska sp. z o.o., Szturmowa 2a, 02-678 Warszawa, wpisana do rejestru przedsiębiorców prowadzonego przez Sąd Rejonowy dla m.st. Warszawy w Warszawie, XIII Wydział Gospodarczy Krajowego Rejestru Sądowego, pod numerem KRS 0000546115, NIP 5213690563, REGON 360916326, GIOŚ E0020757WZBW, kapitał zakładowy 480.000 PLN.

Świadczenia wynikające z Ograniczonej gwarancji HP stanowią dodatek do praw przysługujących nabywcy w związku z dwuletnią odpowiedzialnością sprzedawcy z tytułu niezgodności towaru z umową (rekojmia). Niemniej, na możliwość korzystania z tych praw mają wpływ różne czynniki. Ograniczona gwarancja HP w żaden sposób nie ogranicza praw konsumenta ani na nie nie wpływa. Więcej informacji można znaleźć pod następującym łączem: Gwarancja prawna konsumenta ([www.hp.com/go/eu-legal](http://www.hp.com/go/eu-legal)), można także odwiedzić stronę internetową Europejskiego Centrum Konsumentckiego ([http://ec.europa.eu/consumers/solving\\_consumer\\_disputes/non-judicial\\_redress/ecc-net/index\\_en.htm](http://ec.europa.eu/consumers/solving_consumer_disputes/non-judicial_redress/ecc-net/index_en.htm)). Konsumentci mają prawo wyboru co do możliwości skorzystania albo z usług gwarancyjnych przysługujących w ramach Ograniczonej gwarancji HP albo z uprawnień wynikających z dwuletniej rekojmii w stosunku do sprzedawcy.

## Bulgaria

Ограничената гаранция на HP представлява търговска гаранция, доброволно предоставяна от HP. Името и адресът на дружеството на HP за вашата страна, отговорно за предоставянето на гаранционната поддръжка в рамките на Ограничената гаранция на HP, са както следва:

HP Inc Bulgaria EOOD (Ейч Пи Инк България EOOD), гр. София 1766, район р-н Младост, бул. Околовръстен Път No 258, Бизнес Център Камбаните

Предимствата на Ограничената гаранция на HP се прилагат в допълнение към всички законови права за двугодишна гаранция от продавача при несъответствие на стоката с договора за продажба. Въпреки това, различни фактори могат да окажат влияние върху условията за получаване на тези права. Законовите права на потребителите не са ограничени или засегнати по никакъв начин от Ограничената гаранция на HP. За допълнителна информация, моля вижте Правната гаранция на потребителя

([www.hp.com/go/eu-legal](http://www.hp.com/go/eu-legal)) или посетете уебсайта на Европейския потребителски център ([http://ec.europa.eu/consumers/solving\\_consumer\\_disputes/non-judicial\\_redress/ecc-net/index\\_en.htm](http://ec.europa.eu/consumers/solving_consumer_disputes/non-judicial_redress/ecc-net/index_en.htm)). Потребителите имат правото да избират дали да претендират за извършване на услуга в рамките на Ограничената гаранция на HP или да потърсят такава от търговеца в рамките на двугодишната правна гаранция.

## Romania

Garanția limitată HP este o garanție comercială furnizată în mod voluntar de către HP. Numele și adresa entității HP răspunzătoare de punerea în aplicare a Garanției limitate HP în țara dumneavoastră sunt următoarele:

**România:** HP Inc Romania SRL, 5 Fabrica de Glucoza Str., Building F, Ground Floor & Floor 8, 2nd District, București

Beneficiile Garanției limitate HP se aplică suplimentar față de orice drepturi privind garanția de doi ani oferită de vânzător pentru neconformitatea bunurilor cu contractul de vânzare; cu toate acestea, diverși factori pot avea impact asupra eligibilității dvs. de a beneficia de aceste drepturi. Drepturile legale ale consumatorului nu sunt limitate sau afectate în vreun fel de Garanția limitată HP. Pentru informații suplimentare consultați următorul link: garanția acordată consumatorului prin lege ([www.hp.com/go/eu-legal](http://www.hp.com/go/eu-legal)) sau puteți accesa site-ul Centrul European al Consumatorilor ([http://ec.europa.eu/consumers/solving\\_consumer\\_disputes/non-judicial\\_redress/ecc-net/index\\_en.htm](http://ec.europa.eu/consumers/solving_consumer_disputes/non-judicial_redress/ecc-net/index_en.htm)). Consumatorii au dreptul să aleagă dacă să pretindă despăgubiri în cadrul Garanției limitate HP sau de la vânzător, în cadrul garanției legale de doi ani.

## Belgium and the Netherlands

De Beperkte Garantie van HP is een commerciële garantie vrijwillig verstrekt door HP. De naam en het adres van de HP-entiteit die verantwoordelijk is voor het uitvoeren van de Beperkte Garantie van HP in uw land is als volgt:

**Nederland:** HP Nederland B.V., Startbaan 16, 1187 XR Amstelveen

**België:** HP Belgium BVBA, Hermeslaan 1A, B-1831 Diegem

De voordelen van de Beperkte Garantie van HP vormen een aanvulling op de wettelijke garantie voor consumenten gedurende twee jaren na de levering te verlenen door de verkoper bij een gebrek aan conformiteit van de goederen met de relevante verkoopovereenkomst. Niettemin kunnen diverse factoren een impact hebben op uw eventuele aanspraak op deze wettelijke rechten. De wettelijke rechten van de consument worden op geen enkele wijze beperkt of beïnvloed door de Beperkte Garantie van HP. Raadpleeg voor meer informatie de volgende webpagina: Wettelijke garantie van de consument ([www.hp.com/go/eu-legal](http://www.hp.com/go/eu-legal)) of u kan de website van het Europees Consumenten Centrum bezoeken ([http://ec.europa.eu/consumers/solving\\_consumer\\_disputes/non-judicial\\_redress/ecc-net/index\\_en.htm](http://ec.europa.eu/consumers/solving_consumer_disputes/non-judicial_redress/ecc-net/index_en.htm)). Consumenten hebben het recht om te kiezen tussen enerzijds de Beperkte Garantie van HP of anderzijds het aanspreken van de verkoper in toepassing van de wettelijke garantie.

## Finland

HP:n rajoitettu takuu on HP:n vapaaehtoisesti antama kaupallinen takuu. HP:n myöntämästä takuusta maassanne vastaavan HP:n edustajan yhteystiedot ovat:

**Suomi:** HP Finland Oy, Piispankalliontie, FIN - 02200 Espoo

HP:n takuun edut ovat voimassa mahdollisten kuluttajansuojalakiin perustuvien oikeuksien lisäksi sen varalta, että tuote ei vastaa myyntisopimusta. Saat lisätietoja seuraavasta linkistä: Kuluttajansuoja ([www.hp.com/go/eu-legal](http://www.hp.com/go/eu-legal)) tai voit käydä Euroopan kuluttajakeskuksen sivustolla ([http://ec.europa.eu/consumers/solving\\_consumer\\_disputes/non-judicial\\_redress/ecc-net/index\\_en.htm](http://ec.europa.eu/consumers/solving_consumer_disputes/non-judicial_redress/ecc-net/index_en.htm)). Kuluttajilla on oikeus vaatia virheen korjausta HP:n takuun ja kuluttajansuojan perusteella HP:lta tai myyjältä.

## Slovenia

Omejena garancija HP je prostovoljna trgovska garancija, ki jo zagotavlja podjetje HP. Ime in naslov poslovne enote HP, ki je odgovorna za omejeno garancijo HP v vaši državi, sta naslednja:

**Slovenija:** Hewlett-Packard Europe B.V., Amsterdam, Meyrin Branch, Route du Nant-d'Avril 150, 1217 Meyrin, Switzerland

Ugodnosti omejene garancije HP veljajo poleg zakonskih pravic, ki ob sklenitvi kupoprodajne pogodbe izhajajo iz dveletne garancije prodajalca v primeru neskladnosti blaga, vendar lahko na izpolnjevanje pogojev za uveljavitev pravic vplivajo različni dejavniki. Omejena garancija HP nikakor ne omejuje strankinih z zakonom predpisanih pravic in ne vpliva nanje. Za dodatne informacije glejte naslednjo povezavo: Strankino pravno jamstvo ([www.hp.com/go/eu-legal](http://www.hp.com/go/eu-legal)); ali pa obiščite spletno mesto evropskih središč za potrošnike ([http://ec.europa.eu/consumers/solving\\_consumer\\_disputes/non-judicial\\_redress/ecc-net/index\\_en.htm](http://ec.europa.eu/consumers/solving_consumer_disputes/non-judicial_redress/ecc-net/index_en.htm)). Potrošniki imajo pravico izbrati, ali bodo uveljavljali pravice do storitev v skladu z omejeno garancijo HP ali proti prodajalcu v skladu z dvoletno zakonsko garancijo.

## Croatia

HP ograničeno jamstvo komercialno je dobrovoljno jamstvo koje pruža HP. Ime i adresa HP subjekta odgovornog za HP ograničeno jamstvo u vašoj državi:

**Hrvatska:** HP Computing and Printing d.o.o. za računalne i srodne aktivnosti, Radnička cesta 41, 10000 Zagreb

Pogodnosti HP ograničenog jamstva vrijede zajedno uz sva zakonska prava na dvogodišnje jamstvo kod bilo kojeg prodavača s obzirom na nepodudaranje robe s ugovorom o kupnji. Međutim, razni faktori mogu utjecati na vašu mogućnost ostvarivanja tih prava. HP ograničeno jamstvo ni na koji način ne utječe niti ne ograničava zakonska prava potrošača. Dodatne informacije potražite na ovoj adresi: Zakonsko jamstvo za potrošače ([www.hp.com/go/eu-legal](http://www.hp.com/go/eu-legal)) ili možete posjetiti web-mjesto Europskih potrošačkih centara ([http://ec.europa.eu/consumers/solving\\_consumer\\_disputes/non-judicial\\_redress/ecc-net/index\\_en.htm](http://ec.europa.eu/consumers/solving_consumer_disputes/non-judicial_redress/ecc-net/index_en.htm)). Potrošači imaju pravo odabrati žele li ostvariti svoja potraživanja u sklopu HP ograničenog jamstva ili pravnog jamstva prodavača u trajanju ispod dvije godine.

## Latvia

HP ierobežotā garantija ir komercgarantija, kuru brīvprātīgi nodrošina HP. HP uzņēmums, kas sniedz HP ierobežotās garantijas servisa nodrošinājumu jūsu valstī:

**Latvija:** HP Finland Oy, PO Box 515, 02201 Espoo, Finland

HP ierobežotās garantijas priekšrocības tiek piedāvātas papildus jebkurām likumīgajām tiesībām uz pārdevēja un/vai ražotāju nodrošinātu divu gadu garantiju gadījumā, ja preces neatbilst pirkuma līgumam, tomēr šo tiesību saņemšanu var ietekmēt vairāki faktori. HP ierobežotā garantija nekādā veidā neierobežo un neietekmē patērētāju likumīgās tiesības. Lai iegūtu plašāku informāciju, izmantojiet šo saiti: Patērētāju likumīgā garantija ([www.hp.com/go/eu-legal](http://www.hp.com/go/eu-legal)) vai arī Eiropas Patērētāju tiesību aizsardzības centra tīmekļa vietni ([http://ec.europa.eu/consumers/solving\\_consumer\\_disputes/non-judicial\\_redress/ecc-net/index\\_en.htm](http://ec.europa.eu/consumers/solving_consumer_disputes/non-judicial_redress/ecc-net/index_en.htm)). Patērētājiem ir tiesības izvēlēties, vai pieprasīt servisa nodrošinājumu saskaņā ar HP ierobežoto garantiju, vai arī pārdevēja sniegto divu gadu garantiju.

## Lithuania

HP ribotoji garantija yra HP savanoriškai teikiama komercinė garantija. Toliau pateikiami HP bendrovių, teikiančių HP garantiją (gamintojo garantiją) jūsų šalyje, pavadinimai ir adresai:

**Lietuva:** HP Finland Oy, PO Box 515, 02201 Espoo, Finland

HP ribotoji garantija papildomai taikoma kartu su bet kokiomis kitomis įstatymais nustatytais teisėmis į pardavėjo suteikiamą dviejų metų laikotarpio garantiją dėl prekių atitikties pardavimo sutarčiai, tačiau tai, ar jums ši teisė bus suteikiama, gali priklausyti nuo įvairių aplinkybių. HP ribotoji garantija niekaip neapriboja ir neįtakoja įstatymais nustatytų vartotojo teisių. Daugiau informacijos rasite paspaudę šią nuorodą: Teisinė vartotojo garantija ([www.hp.com/go/eu-legal](http://www.hp.com/go/eu-legal)) arba apsilankę Europos vartotojų centro internetinėje svetainėje ([http://ec.europa.eu/consumers/solving\\_consumer\\_disputes/non-judicial\\_redress/ecc-net/index\\_en.htm](http://ec.europa.eu/consumers/solving_consumer_disputes/non-judicial_redress/ecc-net/index_en.htm)). Vartotojai turi teisę prašyti atlikti techninį aptarnavimą pagal HP ribotąją garantiją arba pardavėjo teikiamą dviejų metų įstatymais nustatytą garantiją.

## Estonia

HP piiratud garantii on HP poolt vabatahtlikult pakutav kaubanduslik garantii. HP piiratud garantii eest vastutab HP üksus aadressil:

**Eesti:** HP Finland Oy, PO Box 515, 02201 Espoo, Finland

HP piiratud garantii rakendub lisaks seaduses ettenähtud müüjapoolsele kaheaastasele garantiile, juhul kui toode ei vasta müügilepingu tingimustele. Siiski võib esineda asjaolusid, mille puhul teie jaoks need õigused ei pruugi kehtida. HP piiratud garantii ei piira ega mõjuta mingil moel tarbija seadusjärgseid õigusi. Lisateavet leiate järgmiselt lingilt: tarbija õiguslik garantii ([www.hp.com/go/eu-legal](http://www.hp.com/go/eu-legal)) või võite külastada Euroopa tarbijakeskuste veebisaiti ([http://ec.europa.eu/consumers/solving\\_consumer\\_disputes/non-judicial\\_redress/ecc-net/index\\_en.htm](http://ec.europa.eu/consumers/solving_consumer_disputes/non-judicial_redress/ecc-net/index_en.htm)). Tarbijal on õigus valida, kas ta soovib kasutada HP piiratud garantiid või seadusega ette nähtud müüjapoolset kaheaastast garantiid.

## Russia

### Срок службы принтера для России

Срок службы данного принтера HP составляет пять лет в нормальных условиях эксплуатации. Срок службы отсчитывается с момента ввода принтера в эксплуатацию. В конце срока службы HP рекомендует посетить веб-сайт нашей службы поддержки по адресу <http://www.hp.com/support> и/или связаться с авторизованным поставщиком услуг HP для получения рекомендаций в отношении дальнейшего безопасного использования принтера.

---

# A Technical information

- [Product specifications](#)
- [Environmental product stewardship program](#)
- [Regulatory information](#)

## Product specifications

- [Print specifications](#)
- [Physical specifications](#)
- [Warning icons](#)
- [Power consumption and electrical specifications](#)
- [Acoustic emission specifications](#)
- [Environmental specifications](#)

## Print specifications

For a list of supported print resolutions, visit the printer support website at [HP Customer Support](#).

## Physical specifications

Product	Height - mm (in)	Depth - mm (in)	Width - mm (in)	Weight - kg (lb)
HP PageWide P75050-60 series	457 (18)	531 (20.9)	598 (23.5)	50.2 (111)

## Warning icons



CAUTION: Keep body parts away from moving parts.



CAUTION: Sharp edge in close proximity.

---

## Power consumption and electrical specifications

See the printer support website at [HP Customer Support](#) for current information.



**NOTE:** Power requirements are based on the country/region where the product is sold. Do not convert operating voltages. This will damage the product and any such damage is not covered under the HP limited warranty and service agreements.

## Acoustic emission specifications

Operation	LwAd-mono (B)	LwAd-color (B)
Print	6.9	6.8

## Environmental specifications

	Operating	Transporting
Temperature	15° to 30° C (59° to 86° F)	-40° to 60° C (-40° to 140° F)
Relative humidity	20 to 80%	90% or less (non-condensing)
Altitude	0 to 3048 m (0 to 10,000 ft)	
Tilt	<b>IMPORTANT:</b> Use caution when moving the product after cartridges have been installed. The product is designed to operate within a levelness of $\pm 3$ degrees.	

**NOTICE:** Values are subject to change. For the latest information, contact the printer administrator or technical support.

## Environmental product stewardship program

- [Protecting the environment](#)
- [Safety data sheets](#)
- [Ozone production](#)
- [Power consumption](#)
- [European Union Commission Regulation 1275/2008](#)
- [Paper](#)
- [Plastics](#)
- [HP PageWide printing supplies](#)
- [Paper use](#)
- [Electronic hardware recycling](#)
- [Material restrictions](#)
  - [Material restrictions](#)
  - [Battery disposal in Taiwan](#)
  - [California Perchlorate Material Notice](#)



- [European Union Battery Directive](#)
- [Battery notice for Brazil](#)
- [Chemical substances](#)
- [EPEAT](#)
- [Disposal of waste equipment by users](#)
- [Waste disposal for Brazil](#)
- [The Table of Hazardous Substances/Elements and their Content \(China\)](#)
- [Restriction of hazardous substance \(India\)](#)
- [Declaration of the Presence Condition of the Restricted Substances Marking \(Taiwan\)](#)
- [Restriction on hazardous substances statement \(Turkey\)](#)
- [Restriction on hazardous substances statement \(Ukraine\)](#)
- [China energy label for printer, fax, and copier](#)

## Protecting the environment

HP is committed to providing quality products in an environmentally sound manner. This product has been designed with several attributes to minimize impacts on our environment.

## Safety data sheets

Safety Data Sheets, product safety and environmental information are available at [www.hp.com/go/ecodata](http://www.hp.com/go/ecodata) or on request.

## Ozone production

This product generates no appreciable ozone gas (O<sub>3</sub>).

## Power consumption

HP printing and imaging equipment marked with the ENERGY STAR® logo is certified by the U.S. Environmental Protection Agency. The following mark will appear on ENERGY STAR certified imaging products:



Additional ENERGY STAR certified imaging product model information is listed at: [www.hp.com/go/energystar](http://www.hp.com/go/energystar)

## European Union Commission Regulation 1275/2008

For product power data, including the power consumption of the product in networked standby if all wired network ports are connected and all wireless network ports are activated, please refer to section P14 'Additional Information' of the product IT ECO Declaration at [www.hp.com/hpinfo/globalcitizenship/environment/productdata/itecodesktop-pc.html](http://www.hp.com/hpinfo/globalcitizenship/environment/productdata/itecodesktop-pc.html).

## Paper

This product is capable of using recycled paper and lightweight paper (EcoFFICIENT™) when the paper meets the guidelines outlined in the product's Print Media Guide. This product is suitable for the use of recycled paper and lightweight paper (EcoFFICIENT™) according to EN12281:2002.

## Plastics

Plastic parts over 25 grams are marked according to international standards that enhance the ability to identify plastics for recycling purposes at the end of the product's life.

## HP PageWide printing supplies

Original HP Supplies were designed with the environment in mind. HP makes it easy to conserve resources and paper when printing. And when you are done, we make it easy and free to recycle. Program availability varies. For more information, visit [www.hp.com/recycle](http://www.hp.com/recycle).

## Paper use

This product's two-sided (duplex) printing feature and N-up printing feature (which allows you to print multiple pages of a document on one sheet of paper) can reduce paper usage and the resulting demands on natural resources.

## Electronic hardware recycling

HP encourages customers to recycle used electronic hardware. For more information about recycling programs, visit the [www.hp.com/recycle](http://www.hp.com/recycle) website.

## Material restrictions

- [Material restrictions](#)
- [Battery disposal in Taiwan](#)
- [California Perchlorate Material Notice](#)
- [European Union Battery Directive](#)
- [Battery notice for Brazil](#)

## Material restrictions

This HP product does not contain intentionally added mercury.

This HP product contains a battery that might require special handling at end-of-life. The batteries contained in or supplied by HP for this product include the following.

HP PageWide P75050-60 series	
Type:	Lithium Manganese Dioxide
Weight:	3.0 g
Location:	On main board
User-removable:	No

## Battery disposal in Taiwan



廢電池請回收

## California Perchlorate Material Notice

Perchlorate material - special handling may apply. See: [www.dtsc.ca.gov/hazardouswaste/perchlorate](http://www.dtsc.ca.gov/hazardouswaste/perchlorate)

This product's real-time clock battery or coin cell battery may contain perchlorate and may require special handling when recycled or disposed of in California.

## European Union Battery Directive



This product contains a battery that is used to maintain data integrity of real time clock or product settings and is designed to last the life of the product. Any attempt to service or replace this battery should be performed by a qualified service technician.

## Battery notice for Brazil

A bateria deste equipamento não foi projetada para ser removida pelo cliente.

## Chemical substances

HP is committed to providing our customers with information about the chemical substances in our products as needed to comply with legal requirements such as REACH (*Regulation EC No 1907/2006 of the European Parliament and the Council*). A chemical information report for this product can be found at: [www.hp.com/go/reach](http://www.hp.com/go/reach).

## EPEAT

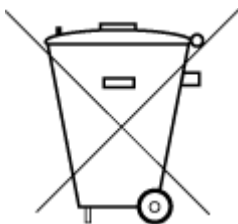
Most HP products are designed to meet EPEAT. EPEAT is a comprehensive environmental rating that helps identify greener electronics equipment. For more information on EPEAT go to [www.epeat.net](http://www.epeat.net). For information on HP's EPEAT registered products go to [www.hp.com/hpinfo/globalcitizenship/environment/pdf/epeat\\_printers.pdf](http://www.hp.com/hpinfo/globalcitizenship/environment/pdf/epeat_printers.pdf).

## Disposal of waste equipment by users



This symbol means do not dispose of your product with your other household waste. Instead, you should protect human health and the environment by handing over your waste equipment to a designated collection point for the recycling of waste electrical and electronic equipment. For more information, go to [www.hp.com/recycle](http://www.hp.com/recycle).

## Waste disposal for Brazil



Não descarte o produto eletrônico em lixo comum

Este produto eletrônico e seus componentes não devem ser descartados no lixo comum, pois embora estejam em conformidade com padrões mundiais de restrição a substâncias nocivas, podem conter, ainda que em quantidades mínimas, substâncias impactantes ao meio ambiente. Ao final da vida útil deste produto, o usuário deverá entregá-lo à HP. A não observância dessa orientação sujeitará o infrator às sanções previstas em lei.

Após o uso, as pilhas e/ou baterias dos produtos HP deverão ser entregues ao estabelecimento comercial ou rede de assistência técnica autorizada pela HP.

Para maiores informações, inclusive sobre os pontos de recebimento, acesse:

[www.hp.com.br/reciclar](http://www.hp.com.br/reciclar)

## The Table of Hazardous Substances/Elements and their Content (China)

产品中有害物质或元素的名称及含量

根据中国《电器电子产品有害物质限制使用管理办法》



部件名称	有害物质					
	铅 (Pb)	汞 (Hg)	镉 (Cd)	六价铬 (Cr(VI))	多溴联苯 (PBB)	多溴二苯醚 (PBDE)
外壳和托盘	0	0	0	0	0	0
电线	0	0	0	0	0	0
印刷电路板	X	0	0	0	0	0
打印系统	X	0	0	0	0	0
显示器	X	0	0	0	0	0
喷墨打印机墨盒	0	0	0	0	0	0
驱动光盘	X	0	0	0	0	0
扫描仪	X	0	0	0	0	0
网络配件	X	0	0	0	0	0
电池板	X	0	0	0	0	0
自动双面打印系统	0	0	0	0	0	0

部件名称	有害物质					
	铅 (Pb)	汞 (Hg)	镉 (Cd)	六价铬 (Cr(VI))	多溴联苯 (PBB)	多溴二苯醚 (PBDE)
外部电源	X	0	0	0	0	0

本表格依据 SJ/T 11364 的规定编制。

0：表示该有害物质在该部件所有均质材料中的含量均在 GB/T 26572 规定的限量要求以下。

X：表示该有害物质至少在该部件的某一均质材料中的含量超出 GB/T 26572 规定的限量要求。

此表中所有名称中含“X”的部件均符合欧盟 RoHS 立法。

注：环保使用期限的参考标识取决于产品正常工作的温度和湿度等条件。

## Restriction of hazardous substance (India)

This product, as well as its related consumables and spares, complies with the reduction in hazardous substances provisions of the "India E-waste Rule 2016." It does not contain lead, mercury, hexavalent chromium, polybrominated biphenyls or polybrominated diphenyl ethers in concentrations exceeding 0.1 weight % and 0.01 weight % for cadmium, except where allowed pursuant to the exemptions set in Schedule 2 of the Rule.

## Declaration of the Presence Condition of the Restricted Substances Marking (Taiwan)

### 限用物質含有情況標示聲明書

#### Declaration of the Presence Condition of the Restricted Substances Marking

若要存取產品的最新使用指南或手冊，請前往 [www.support.hp.com](http://www.support.hp.com)。選取搜尋您的產品，然後依照畫面上的指示繼續執行。

To access the latest user guides or manuals for your product, go to [www.support.hp.com](http://www.support.hp.com). Select **Find your product**, and then follow the onscreen instructions.

單元 Unit	限用物質及其化學符號					
	鉛 Lead (Pb)	汞 Mercury (Hg)	鎘 Cadmium (Cd)	六價鉻 Hexavalent chromium (Cr <sup>+6</sup> )	多溴聯苯 Polybrominated biphenyls (PBB)	多溴二苯醚 Polybrominated diphenyl ethers (PBDE)
外殼和托盤 Plastic housing parts and tray	0	0	0	0	0	0
電線 Wires/power cord	0	0	0	0	0	0
印刷電路板 Printed circuit board	—	0	0	0	0	0
列印系統 Print engine	—	0	0	0	0	0
顯示螢幕 Display	—	0	0	0	0	0
墨水匣 Cartridge	0	0	0	0	0	0
驅動光碟 Disc drive	—	0	0	0	0	0
掃描器 Scanner	—	0	0	0	0	0
網路配件 Network accessory	—	0	0	0	0	0
電池板 Battery board	—	0	0	0	0	0
自動雙面列印系統 Duplexer	0	0	0	0	0	0
外部電源	—	0	0	0	0	0

限用物質及其化學符號						
Restricted substances and its chemical symbols						
單元 Unit	鉛 Lead (Pb)	汞 Mercury (Hg)	鎘 Cadmium (Cd)	六價鉻 Hexavalent chromium (Cr <sup>+6</sup> )	多溴聯苯 Polybrominated biphenyls (PBB)	多溴二苯醚 Polybrominated diphenyl ethers (PBDE)
<b>External power supply</b>						
備考 1. “超出 0.1 wt %” 及 “超出 0.01 wt %” 係指限用物質之百分比含量超出百分比含量基準值。						
Note 1: “Exceeding 0.1 wt %” and “exceeding 0.01 wt %” indicate that the percentage content of the restricted substance exceeds the reference percentage value of presence condition.						
備考 2. “0” 係指該項限用物質之百分比含量未超出百分比含量基準值。						
Note 2: “0” indicates that the percentage content of the restricted substance does not exceed the percentage of reference value of presence.						
備考 3. “-” 係指該項限用物質為排除項目。						
Note 3: The “-” indicates that the restricted substance corresponds to the exemption.						

## Restriction on hazardous substances statement (Turkey)

Türkiye Cumhuriyeti: EEE Yönetmeliğine Uygundur

## Restriction on hazardous substances statement (Ukraine)

Обладнання відповідає вимогам Технічного регламенту щодо обмеження використання деяких небезпечних речовин в електричному та електронному обладнанні, затвердженого постановою Кабінету Міністрів України від 3 грудня 2008 № 1057

## China energy label for printer, fax, and copier

### 复印机、打印机和传真机能源效率标识实施规则

依据“复印机、打印机和传真机能源效率标识实施规则”，本打印机具有中国能效标签。根据“复印机、打印机和传真机能效限定值及能效等级”（“GB21521”）决定并计算得出该标签上所示的能效等级和 TEC（典型能耗）值。

#### 1. 能效等级

能效等级分为三个等级，等级 1 级能效最高。根据产品类型和打印速度标准决定能效限定值。

#### 2. 能效信息

##### 2.1 LaserJet 打印机和高性能喷墨打印机

- 典型能耗

典型能耗是正常运行 GB21521 测试方法中指定的时间后的耗电量。此数据表示为每周千瓦时 (kWh)。

标签上所示的能效数字按涵盖根据“复印机、打印机和传真机能源效率标识实施规则”选择的登记装置中所有配置的代表性配置测定而得。因此，本特定产品型号的实际能耗可能与标签上所示的数据不同。

有关规范的详情信息，请参阅 GB21521 标准的当前版本。

## Regulatory information

- [Regulatory notices](#)
- [VCCI \(Class B\) compliance statement for users in Japan](#)
- [Power cord instructions](#)
- [Notice to users in Japan about the power cord](#)
- [Notice to users in Korea](#)
- [Noise emission statement for Germany](#)
- [European Union Regulatory Notice](#)
- [Visual display workplaces statement for Germany](#)
- [Additional statements for wireless products](#)

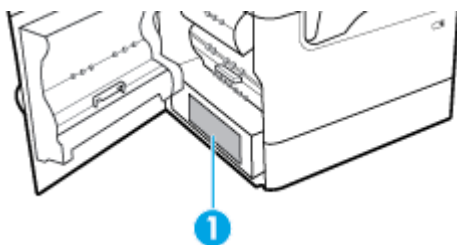
## Regulatory notices

### Regulatory model identification number

For regulatory identification purposes, your product is assigned a Regulatory Model Number. This regulatory number should not be confused with the marketing name or product numbers.

Product model number	Regulatory model number
HP PageWide Managed P75050dn	VCVRA-1700
HP PageWide Managed P75050dw	VCVRA-1701

To view the regulatory label (1), open the left door of the printer.



## FCC statement

This equipment has been tested and found to comply with the limits for a Class B digital device, pursuant to Part 15 of the FCC Rules. These limits are designed to provide reasonable protection against harmful interference in a residential installation. This equipment generates, uses and can radiate radio frequency energy and, if not installed and used in accordance with the instructions, may cause harmful interference to radio communications. However, there is no guarantee that interference will not occur in a particular installation. If this equipment does cause harmful interference to radio or television reception, which can be determined by turning the equipment off and on, the user is encouraged to try to correct the interference by one or more of the following measures:

- Reorient or relocate the receiving antenna.
- Increase the separation between the equipment and receiver.



- Connect the equipment into an outlet on a circuit different from that to which the receiver is connected.
- Consult the dealer or an experienced radio/TV technician for help.



**NOTE:** Any changes or modifications made to this device that are not expressly approved by HP may void the user's authority to operate the equipment.

Use of a shielded interface cable is required to comply with the Class B limits of Part 15 of FCC rules.

For further information, contact: Manager of Corporate Product Regulations, HP Inc., 1501 Page Mill Road, Palo Alto, CA 94304, USA.

This device complies with Part 15 of the FCC Rules. Operation is subject to the following two conditions: (1) this device may not cause harmful interference, and (2) this device must accept any interference received, including interference that may cause undesired operation.

## VCCI (Class B) compliance statement for users in Japan

この装置は、クラス B 情報技術装置です。この装置は、家庭環境で使用することを目的としていますが、この装置がラジオやテレビジョン受信機に近接して使用されると、受信障害を引き起こすことがあります。取扱説明書に従って正しい取り扱いをして下さい。

VCCI-B

## Power cord instructions

Make sure your power source is adequate for the product voltage rating. The voltage rating is on the product label. The product uses either 100-240 Vac or 200-240 Vac and 50/60 Hz.



**CAUTION:** To prevent damage to the product, use only the power cord that is provided with the product.

## Notice to users in Japan about the power cord

製品には、同梱された電源コードをお使い下さい。

同梱された電源コードは、他の製品では使用出来ません。

## Notice to users in Korea

B급 기기  
(가정용 방송통신기자재)

이 기기는 가정용(B급) 전자파적합기기로서 주로 가정에서 사용하는 것을 목적으로 하며, 모든 지역에서 사용할 수 있습니다.

## Noise emission statement for Germany

Geräuschemission

LpA < 70 dB am Arbeitsplatz im Normalbetrieb nach DIN 45635 T. 19

## European Union Regulatory Notice



Products bearing the CE marking comply to applicable EU Directives and related European Harmonised Standards. The full Declaration of Conformity can be found at the following website:

[www.hp.eu/certificates](http://www.hp.eu/certificates) (Search with the product model name or its Regulatory Model Number (RMN), which may be found on the regulatory label.)


The point of contact for regulatory matters is HP Deutschland GmbH, HQ-TRE, 71025, Boeblingen, Germany.

### Products with wireless functionality

#### EMF

- This product meets international guidelines (ICNIRP) for exposure to radio frequency radiation. If it incorporates a radio transmitting and receiving device that in normal use, a separation distance of 20 cm ensures that radio frequency exposure levels comply with EU requirements.

#### Wireless functionality in Europe

- For products with 802.11 b/g/n or Bluetooth radio:
  - This product operates on radio frequency between 2400 MHz and 2483.5 MHz, with a transmit power of 20 dBm (100 mW) or less.
- For products with 802.11 a/b/g/n radio:
  -  **CAUTION:** IEEE 802.11x wireless LAN with 5.15-5.35 GHz frequency band is restricted for **indoor use only** in all European Union member states, EFTA (Iceland, Norway, Liechtenstein) and most other European countries (e.g. Switzerland, Turkey, Republic of Serbia). Using this WLAN application outdoor might lead to interference issues with existing radio services.
  - This product operates on radio frequencies between 2400 MHz and 2483.5 MHz, and between 5170 MHz and 5710 MHz, with a transmit power of 20 dBm (100 mW) or less.

### Models with fax capability only

HP products with FAX capability comply with the requirements of the R&TTE Directive 1999/5/EC (Annex II) and carry the CE marking accordingly. However, due to differences between the individual PSTNs provided in different countries/regions, the approval does not, of itself, give an unconditional assurance of successful operation on every PSTN network termination point. In the event of problems, you should contact your equipment supplier in the first instance.

### Visual display workplaces statement for Germany

#### GS-Erklärung (Deutschland)


Das Gerät ist nicht für die Benutzung im unmittelbaren Gesichtsfeld am Bildschirmarbeitsplatz vorgesehen. Um störende Reflexionen am Bildschirmarbeitsplatz zu vermeiden, darf dieses Produkt nicht im unmittelbaren Gesichtsfeld platziert werden.

## Additional statements for wireless products

- [Exposure to radio frequency radiation](#)
- [Notice to users in Brazil](#)
- [Notice to users in Canada](#)
- [Notice to users in Canada \(5 GHz\)](#)
- [Notice to users in Serbia \(5 GHz\)](#)
- [Notice to users in Taiwan \(5 GHz\)](#)
- [Notice to users in Taiwan](#)
- [Notice to users in Mexico](#)
- [Notice to users in Japan](#)
- [Notice to users in Korea](#)
- [Notice to user in Thailand \(5 GHz\)](#)

## Exposure to radio frequency radiation

---

 **CAUTION:** The radiated output power of this device is far below the FCC radio frequency exposure limits. Nevertheless, the device shall be used in such a manner that the potential for human contact during normal operation is minimized. This product and any attached external antenna, if supported, shall be placed in such a manner to minimize the potential for human contact during normal operation. In order to avoid the possibility of exceeding the FCC radio frequency exposure limits, human proximity to the antenna shall not be less than 20 cm (8 inches) during normal operation.

---

## Notice to users in Brazil

Este equipamento opera em caráter secundário, isto é, não tem direito à proteção contra interferência prejudicial, mesmo de estações do mesmo tipo, e não pode causar interferência em sistemas operando em caráter primário.

## Notice to users in Canada

Under Industry Canada regulations, this radio transmitter may only operate using an antenna of a type and maximum (or lesser) gain approved for the transmitter by Industry Canada. To reduce potential radio interference to other users, the antenna type and its gain should be so chosen that the equivalent isotropically radiated power (e.i.r.p.) is not more than that necessary for successful communication.

This device complies with Industry Canada licence-exempt RSS standard(s). Operation is subject to the following two conditions: (1) this device may not cause interference, and (2) this device must accept any interference, including interference that may cause undesired operation of the device.

**WARNING!** Exposure to Radio Frequency Radiation The radiated output power of this device is below the Industry Canada radio frequency exposure limits. Nevertheless, the device should be used in such a manner that the potential for human contact is minimized during normal operation.

To avoid the possibility of exceeding the Industry Canada radio frequency exposure limits, human proximity to the antennas should not be less than 20 cm (8 inches).

Conformément au Règlement d'Industrie Canada, cet émetteur radioélectrique ne peut fonctionner qu'avec une antenne d'un type et d'un gain maximum (ou moindre) approuvé par Industrie Canada. Afin de réduire le brouillage radioélectrique potentiel pour d'autres utilisateurs, le type d'antenne et son gain doivent être choisis de manière à ce que la puissance isotrope rayonnée équivalente (p.i.r.e.) ne dépasse pas celle nécessaire à une communication réussie.

Cet appareil est conforme aux normes RSS exemptes de licence d'Industrie Canada. Son fonctionnement dépend des deux conditions suivantes : (1) cet appareil ne doit pas provoquer d'interférences nuisibles et (2) doit accepter toutes les interférences reçues, y compris des interférences pouvant provoquer un fonctionnement non souhaité de l'appareil.

AVERTISSEMENT relatif à l'exposition aux radiofréquences. La puissance de rayonnement de cet appareil se trouve sous les limites d'exposition de radiofréquences d'Industrie Canada. Néanmoins, cet appareil doit être utilisé de telle sorte qu'il doive être mis en contact le moins possible avec le corps humain.

Afin d'éviter le dépassement éventuel des limites d'exposition aux radiofréquences d'Industrie Canada, il est recommandé de maintenir une distance de plus de 20 cm entre les antennes et l'utilisateur.

### Notice to users in Canada (5 GHz)

**⚠ CAUTION:** When using IEEE 802.11a wireless LAN, this product is restricted to indoor use, due to its operation in the 5.15- to 5.25-GHz frequency range. The Industry Canada requires this product to be used indoors for the frequency range of 5.15 GHz to 5.25 GHz to reduce the potential for harmful interference to co-channel mobile satellite systems. High-power radar is allocated as the primary user of the 5.25- to 5.35-GHz and 5.65- to 5.85-GHz bands. These radar stations can cause interference with and/or damage to this device.

Lors de l'utilisation du réseau local sans fil IEEE 802.11a, ce produit se limite à une utilisation en intérieur à cause de son fonctionnement sur la plage de fréquences de 5,15 à 5,25 GHz. Industrie Canada stipule que ce produit doit être utilisé en intérieur dans la plage de fréquences de 5,15 à 5,25 GHz afin de réduire le risque d'interférences éventuellement dangereuses avec les systèmes mobiles par satellite via un canal adjacent. Le radar à haute puissance est alloué pour une utilisation principale dans une plage de fréquences de 5,25 à 5,35 GHz et de 5,65 à 5,85 GHz. Ces stations radar peuvent provoquer des interférences avec cet appareil et l'endommager.

### Notice to users in Serbia (5 GHz)

Upotreba ovog uređaja je ograničena na zatvorene prostore u slucajevima koriscenja na frekvencijama od 5150-5350 MHz.

### Notice to users in Taiwan (5 GHz)

在 5.25-5.35 赫茲頻帶內操作之無線資訊傳輸設備，限於室內使用。

### Notice to users in Taiwan

低功率電波輻射性電機管理辦法

第十二條

經型式認證合格之低功率射頻電機，非經許可，公司、商號或使用者均不得擅自變更頻率、加大功率或變更設計之特性及功能。

第十四條

低功率射頻電機之使用不得影響飛航安全及干擾合法通信；經發現有干擾現象時，應立即停用，並改善至無干擾時方得繼續使用。

前項合法通信，指依電信法規定作業之無線電通信。低功率射頻電機須忍受合法通信或工業、科學及醫藥用電波輻射性電機設備之干擾。

### Notice to users in Mexico

La operación de este equipo está sujeta a las siguientes dos condiciones: (1) es posible que este equipo o dispositivo no cause interferencia perjudicial y (2) este equipo o dispositivo debe aceptar cualquier interferencia, incluyendo la que pueda causar su operación no deseada.

Para saber el modelo de la tarjeta inalámbrica utilizada, revise la etiqueta regulatoria de la impresora.

### Notice to users in Japan

この機器は技術基準適合証明又は工事設計認証を受けた無線設備を搭載しています。

### Notice to users in Korea

해당 무선설비는 전파혼신 가능성이 있으므로 인명안전과 관련된 서비스는 할 수 없음  
(무선 모듈이 탑재된 제품인 경우)

### Notice to user in Thailand (5 GHz)

เครื่องวิทยุคมนาคมนี้มีระดับการแผ่คลื่นแม่เหล็กไฟฟ้าสอดคล้องตามมาตรฐานความปลอดภัยต่อสุขภาพของมนุษย์จากการใช้เครื่องวิทยุคมนาคมที่คณะกรรมการกิจการโทรคมนาคมแห่งชาติประกาศกำหนด

This radio communication equipment has the electromagnetic field strength in compliance with the Safety Standard for the Use of Radio Communication Equipment on Human Health announced by the National Telecommunications Commission.

# Index

## Symbols/Numerics

- 3x550-sheet tray and stand (A3/A4), second tray
  - jams, clearing 72
- 3x550-sheet tray and stand (A3/A4), third tray
  - jams, clearing 74
- 4000-sheet high-capacity input trays and stand, left tray
  - jams, clearing 76
- 4000-sheet high-capacity input trays and stand, right tray
  - jams, clearing 78

## A

- acoustic specifications 115
- Alternative Letterhead Mode
  - input tray 40
- anticounterfeit supplies 43

## B

- batteries included 118
- bin, output
  - jams, clearing 85

## C

- cartridge levels, check 44
- cartridges 45
  - check cartridge levels 44
  - non-HP 43
  - recycling 46, 118
  - storage 44
- clean
  - touch screen 65
- cleaning
  - printhead 65
- color
  - adjusting 52
  - matching 54
  - printed vs. monitor 54
- connecting to a wireless network 13
- connectivity
  - solving problems 98
  - USB 11

- control panel
  - clean touch screen 65
  - cleaning page, printing 65
- counterfeit supplies 43
- customer support
  - online 104

## D

- default gateway, setting 18
- defaults, restoring 65
- disposal, end-of-life 118
- duplex settings, changing 19

## E

- electrical specifications 115
- embedded Web server
  - features 20
- end-of-life disposal 118
- environmental features 3
- errors
  - software 102

## F

- factory-set defaults, restoring 65
- features 1
- firewall 13
- fraud Web site 43

## G

- gateway, setting default 18
- General Office setting 44

## H

- HP Customer Support 104
- HP fraud website 43
- HP Utility (OS X)
  - opening 26

## I

- input tray
  - loading 34, 39, 40, 41
- installing
  - product on wired networks 12
- IPv4 address 18

## J

- jams
  - causes of 66
  - locating 67
  - output bin, clearing 85
  - paper path, clearing 72, 74, 76, 78, 80, 82, 83, 84
  - paper to avoid 41

## L

- left door
  - jams, clearing 80
- left duplexer
  - jams, clearing 82
- link speed settings 19
- loading envelopes
  - input tray 39
- loading letterhead 41
  - input tray 40
- loading paper
  - input tray 34
- loading preprinted forms 40
  - input tray 41

## M

- Mac
  - problems, troubleshooting 103
- maintenance
  - check cartridge levels 44
- managing network 18
- matching colors 54
- material restrictions 118
- mercury-free product 118
- models, feature overview 1

## N

- network
  - password, changing 18
  - password, setting 18
  - settings, changing 18
  - settings, viewing 18
- networks
  - default gateway 18
  - IPv4 address 18
  - subnet mask 18

- networks, wired
  - installing product 12
- non-HP supplies 43
- O**
- online support 104
- OS X
  - HP Utility 26
- output bin
  - jams, clearing 85
- P**
- paper
  - default size for tray 32
  - jams 66
  - selecting 41, 96
- paper path
  - jams, clearing 72, 74, 76, 78, 80, 82, 83, 84
- paper pickup problems
  - solving 66
- paper type
  - changing 97
- Plug and Print USB Drive printing 59
- power
  - consumption 115
- print cartridges
  - recycling 46, 118
- print quality
  - improving 96, 97
- printer driver
  - configuring wireless network 17
- printer drivers
  - choosing 97
- printer software (OS X)
  - opening 26
- printer software (Windows)
  - opening the printer software (Windows) 17
- printing
  - from USB storage accessories 59
- problem-solving
  - no response 91
  - slow response 94
- product overview 1
- R**
- recycling 3, 118
- recycling supplies 46
- reports
  - event log 64
  - network configuration page 64
  - PCL font list 64
  - PCL6 font list 64
  - printer status report 64
  - PS fonts list 64
  - quality report 64
- restoring factory-set defaults 65
- right door
  - jams, clearing 83
- right duplexer
  - jams, clearing 84
- S**
- settings
  - factory-set defaults, restoring 65
- software
  - problems 102
- solving
  - network problems 99
  - Plug and Print USB Drive printing problems 95
  - USB direct-connect problems 99
- specifications
  - electrical and acoustic 115
- storing
  - cartridges 44
- subnet mask 18
- supplies
  - counterfeit 43
  - non-HP 43
  - recycling 46, 118
- support
  - online 104
- T**
- TCP/IP
  - manually configuring IPv4 parameters 18
- technical support
  - online 104
- touch screen, clean 65
- Tray 1
  - jams, clearing 68
- trays
  - default paper size 32
- troubleshooting
  - checklist 62
- jams 66
- Mac problems 103
- network problems 99
- paper feed problems 65
- Plug and Print USB Drive printing problems 95
- USB direct-connect problems 99
- U**
- USB configuration 11
- USB storage accessories
  - printing from 59
- W**
- warranty
  - product 104
- waste disposal 120
- websites
  - customer support 104
  - fraud reports 43
- wireless network
  - configuring with the setup wizard 13
  - installing the driver 17
- wireless network connection 13
- Wireless Setup Wizard
  - configuring wireless network 13