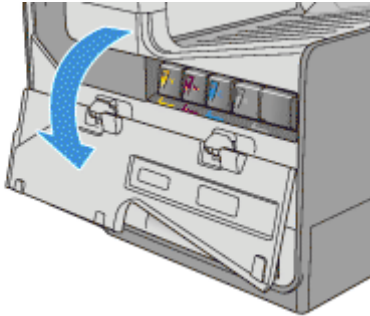


Remove and replace the cartridge

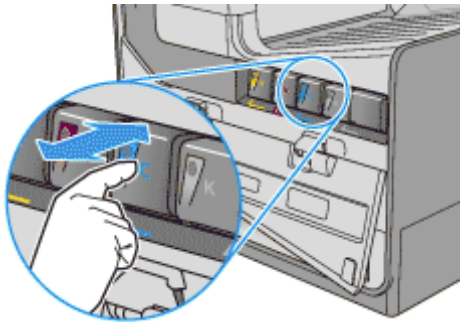
1. Open the cartridge door.

Figure 2: Open the cartridge door



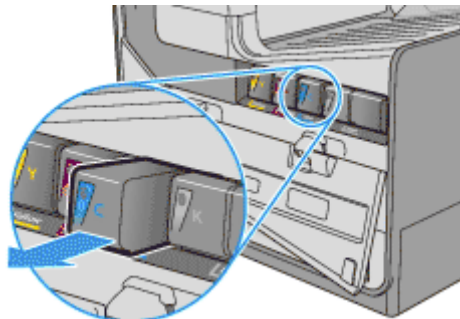
2. Push the old cartridge inward to unlock it.

Figure 3: Release the cartridge



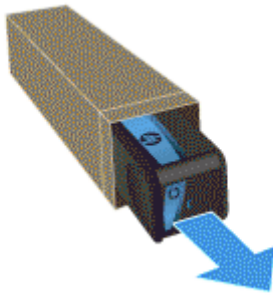
3. Grasp the edge of the old cartridge and then pull the cartridge straight out to remove it.

Figure 4: Remove the cartridge



4. Remove the new cartridge from the packaging.

Figure 5: Unpack the cartridge



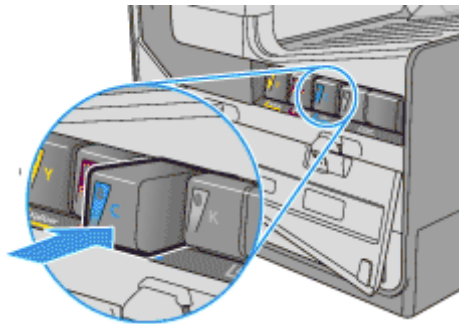
5. Do not touch the gold-colored metal contacts of the cartridge. Fingerprints on the contacts can cause print-quality problems.

Figure 6: Do not touch the contact



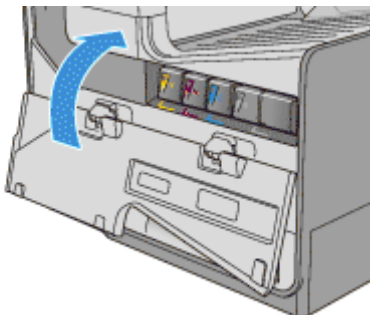
6. Insert the new cartridge into the product. Make sure the cartridge is firmly in place.

Figure 7: Insert the cartridge



7. Close the cartridge door.

Figure 8: Close the cartridge door



8. Pack the used cartridge in the box that the new cartridge came in. See the enclosed recycling guide for information about recycling.

HP helps you recycle your Original HP cartridges—it's easy and free with the HP Planet Partners program, available in more than 50 countries/regions around the world¹⁾.

To find information about how to recycle used HP cartridges, please go to www.hp.com/recycle.

¹⁾ Program availability varies. For more information, visit www.hp.com/recycle.