

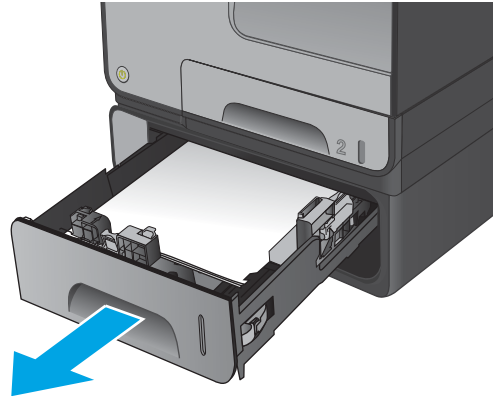


HP OfficeJet Enterprise Color MFP X585

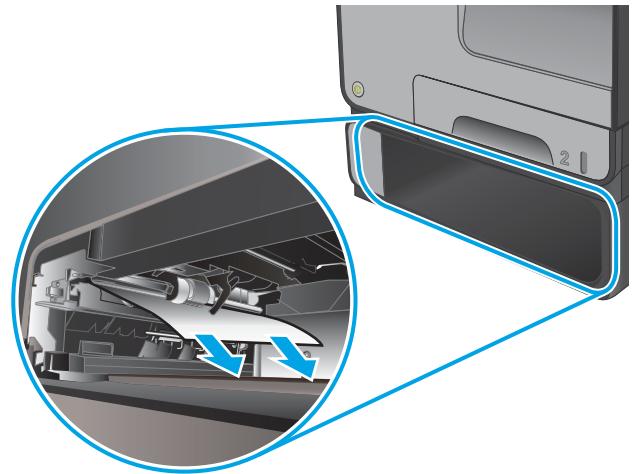


Clear jams in optional Tray 3

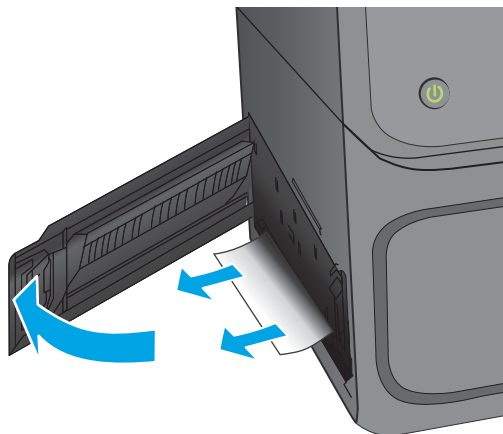
1. Open Tray 3.



2. Remove the jammed sheet by pulling it to the right and then out of the product.



3. If the jam cannot be cleared at the tray, try clearing the jam from the lower left door.



4. Close Tray 3.

NOTE: To close the tray, push in the middle or with even pressure on both sides. Avoid pushing on one side only.

