

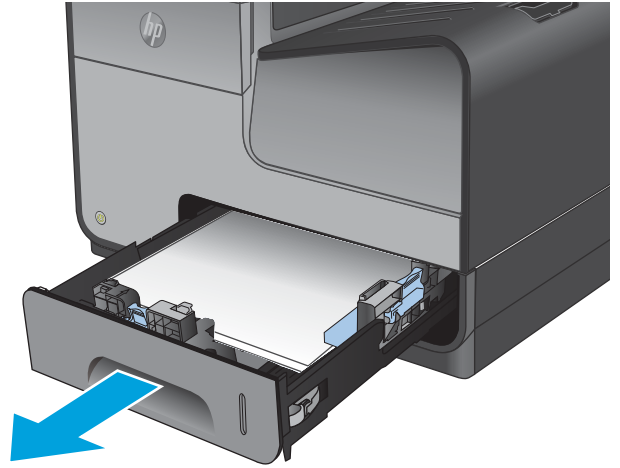


HP OfficeJet Enterprise Color MFP X585

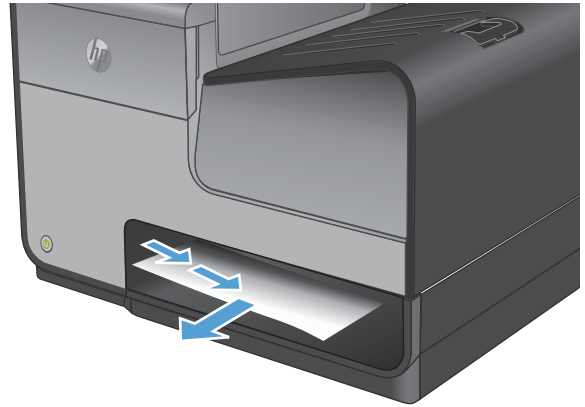


Clear jams in Tray 2

1. Open Tray 2 by pulling it out and releasing the latch at the rear left of the tray.



2. Remove the jammed sheet by pulling it to the right and then out of the product.



3. Close Tray 2.

NOTE: To close the tray, push in the middle or with even pressure on both sides. Avoid pushing on one side only.

