

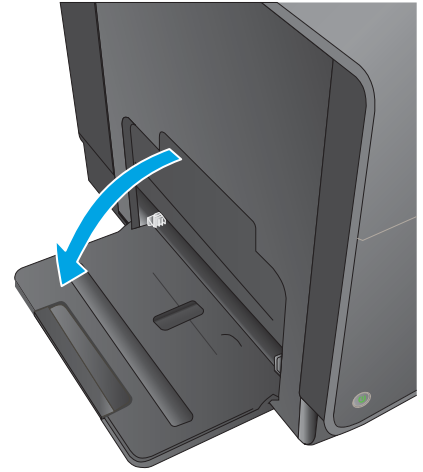


# HP OfficeJet Enterprise Color MFP X585

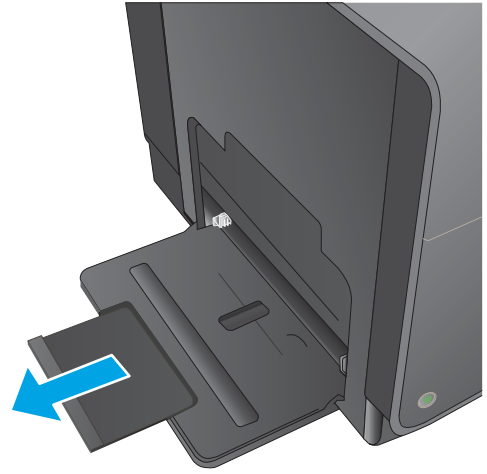


## Load Tray 1 (multi-purpose tray on left side of the product)

1. Open Tray 1.

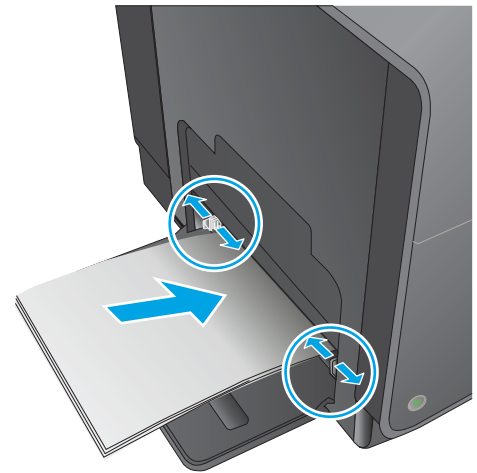


2. Pull out the tray extension.



3. Extend the paper guides fully and then load the paper stack into Tray 1. Adjust the paper guides to the size of the paper.

**NOTE:** Place the paper into Tray 1 with the side to be printed on face-down and the top of page on the side of the tray closest to the product.



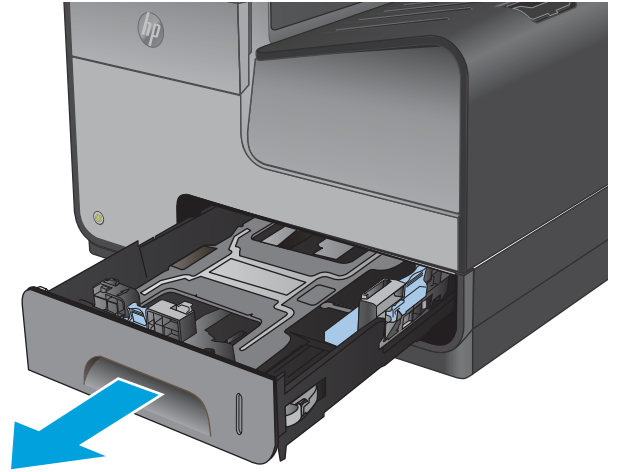


# HP OfficeJet Enterprise Color MFP X585

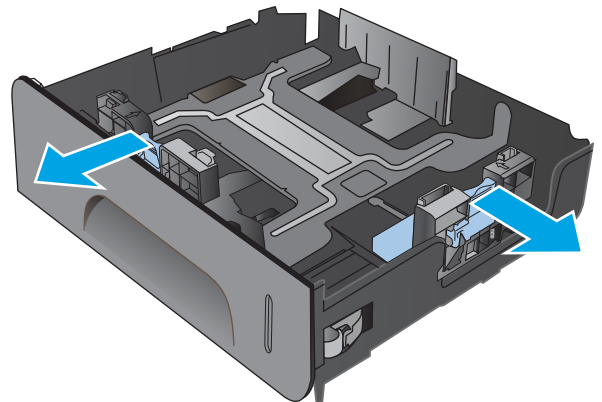


## Load Tray 2 or optional Tray 3

1. Pull the tray out of the product.

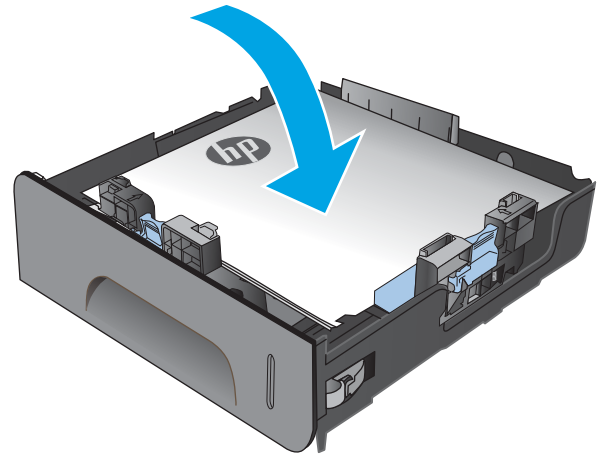


2. Slide open the paper length and width guides.

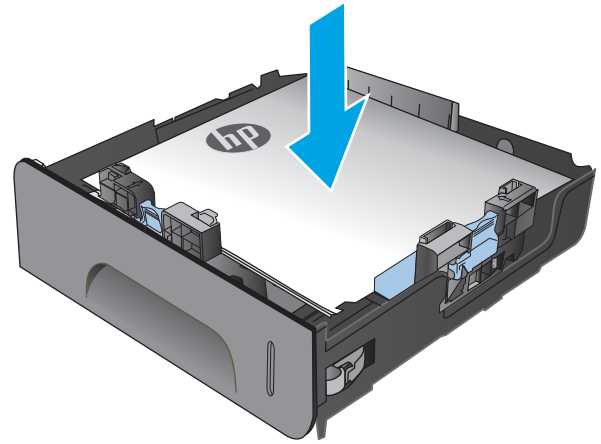


3. Place the paper in the tray and make sure that it is flat at all four corners. Slide the side paper width guides so that they align with the paper-size marking in the bottom of the tray. Slide the front paper length guide so that it pushes the stack of paper against the back of the tray.

**NOTE:** Place the paper into the tray with the side to be printed on face-up.



4. Push down on the paper to make sure that the paper stack is below the paper limit tabs on the side of the tray.



5. Slide the tray into the product.

**NOTE:** To close the tray, push in the middle or with even pressure on both sides. Avoid pushing on one side only.

