

# HP Color LaserJet Enterprise MFP 5800, 6800, 6801, X57945, X677 - Replace the staple cartridge (stapler models only)

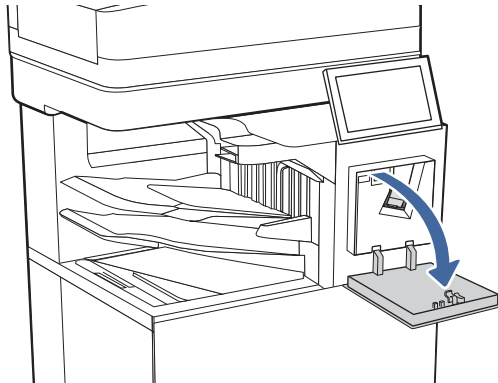
The following procedures apply to models with staplers.

## Remove and replace the staple cartridge in the 3-bin stapler/stacker

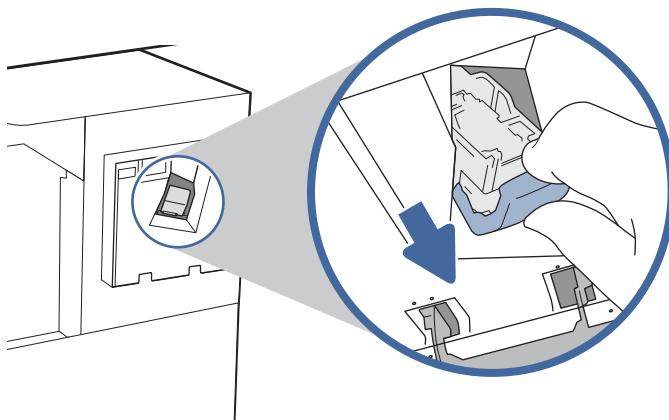
Use the steps below to remove and replace the staple cartridge in the 3-bin stapler/stacker.

 [View a video of how to replace the staple cartridge in the 3-bin stapler stacker](#)

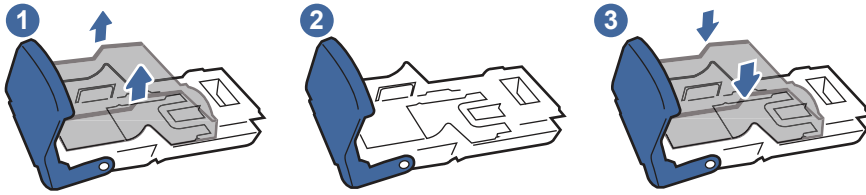
1. Open the 3-bin stapler/stacker staple door.



2. Pull down the colored handle on the staple carriage, and then pull the staple cartridge straight out.

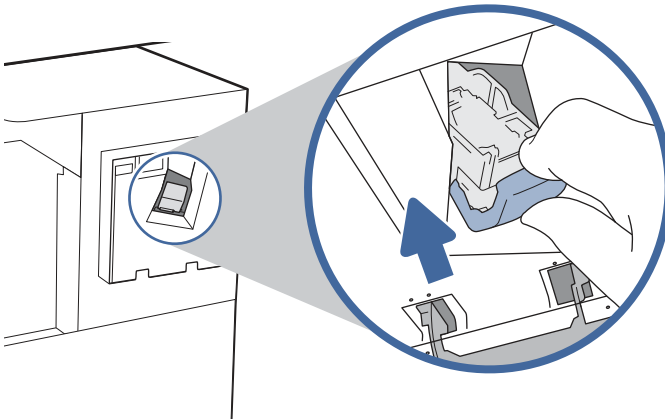


3. Remove the staple cartridge from the sled and replace it with the new staple cartridge.

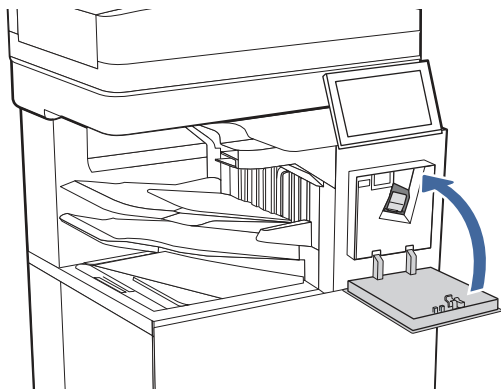


 **NOTE:** Do not dispose of the staple carrier/sled. The sled is not an orderable or replaceable part.

4. Reinstall the staple carriage into the stapler by pressing the colored handle inward until it snaps into place.



5. Close the 3-bin stapler/stacker staple door.

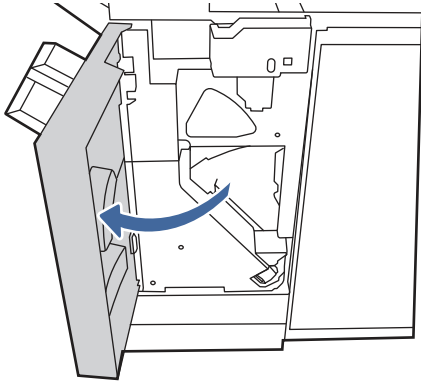


## Remove and replace the staple cartridge in the finisher

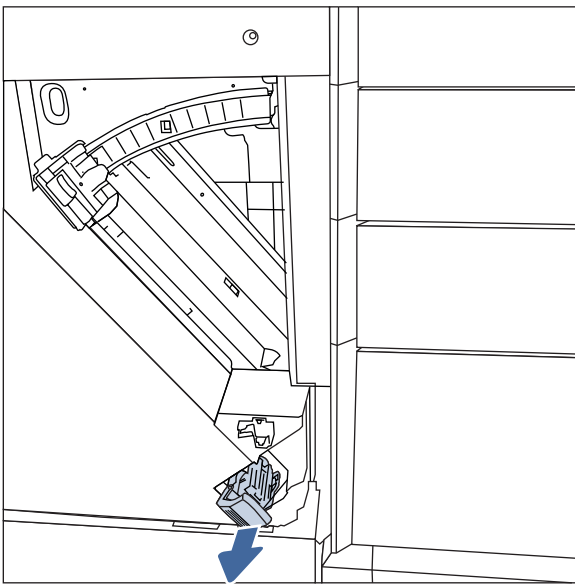
Use the steps below to remove and replace the staple cartridge in the floor-standing finisher.

 [View a video of how to replace the staple cartridge in the floor-standing finisher](#)

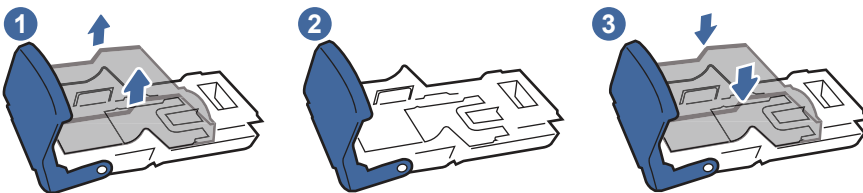
1. Open the finisher door.




2. Pull down the colored handle on the staple carriage, and then pull the staple carriage straight out.

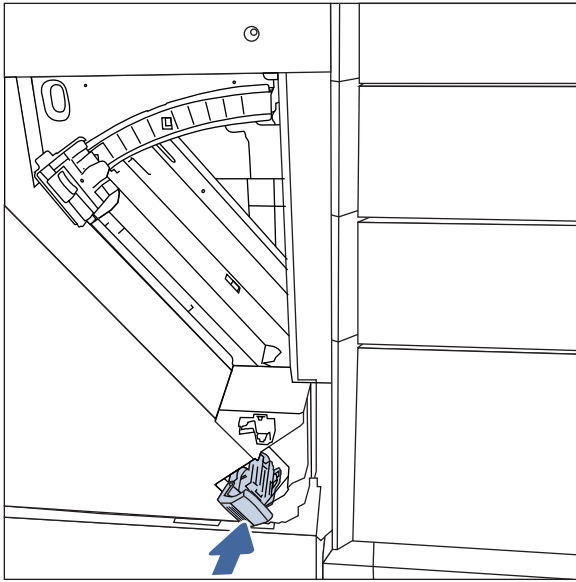


3. Remove the staple cartridge from the sled and replace it with the new staple cartridge.

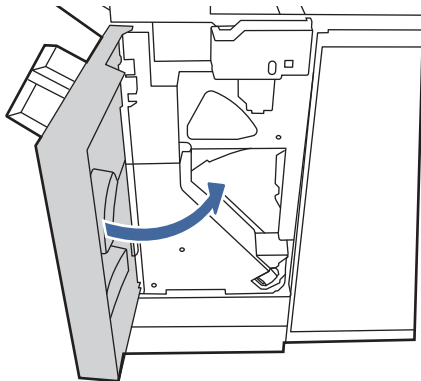


 **NOTE:** Do not dispose of the staple carrier/sled. The sled is not an orderable or replaceable part.

4. Reinstall the staple carriage into the stapler by pressing the colored handle inward until it snaps into place.



5. Close the finisher door.



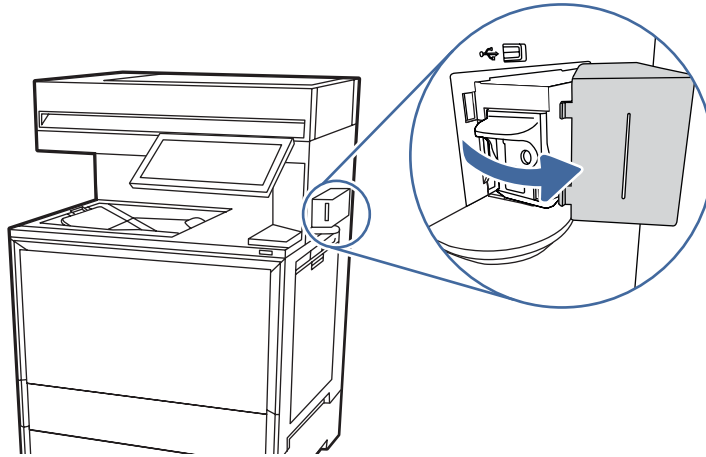
## Remove and replace the staple cartridge in the convenience stapler

Use the steps below to remove and replace the staple cartridge in the convenience stapler on the left side of the printer.

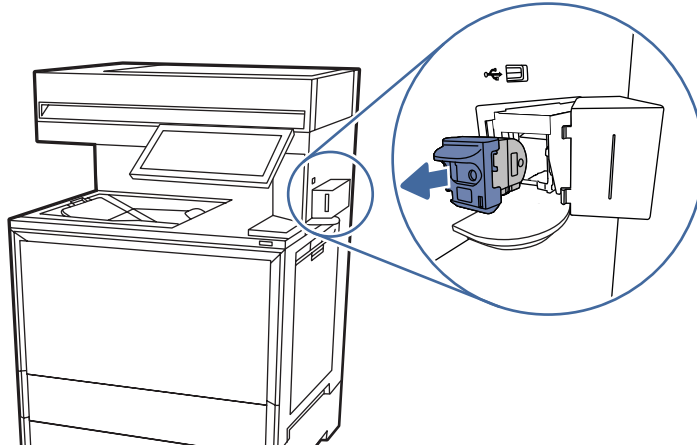


[View a video of how to replace the staple cartridge in the convenience stapler](#)

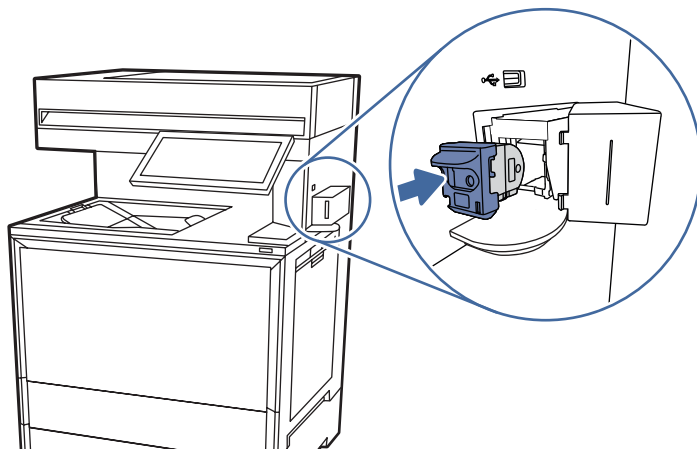
1. Open the stapler door.



2. Pull the staple carriage straight out.



3. Insert the new staple carriage into the stapler.



4. Close the stapler door.

