

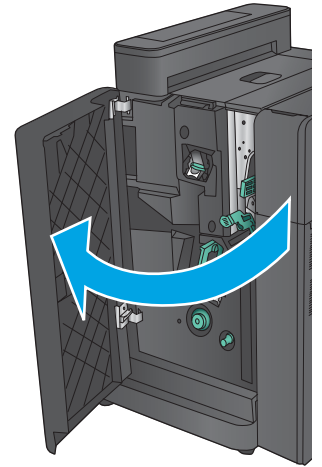


# Color LaserJet Enterprise Flow MFP M880

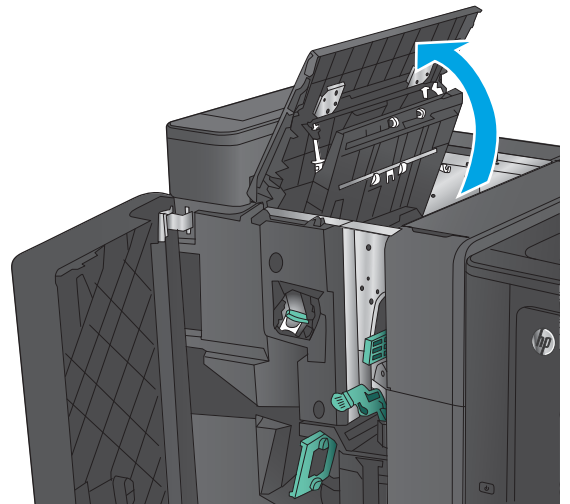


## Clear front left door jams in the booklet maker

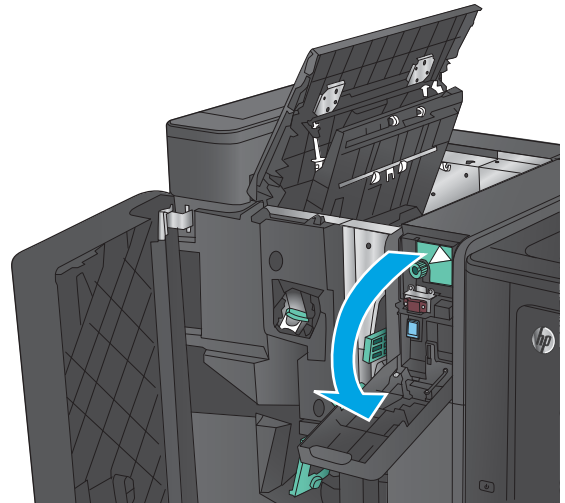
1. Open the front left door.



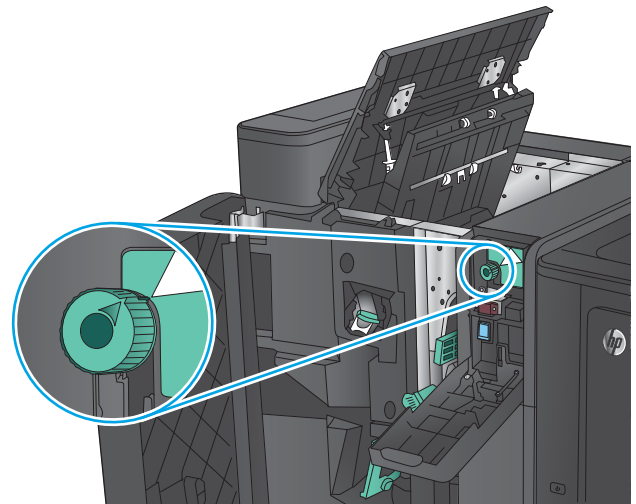
2. **Hole punch models only:** Open the top left door.



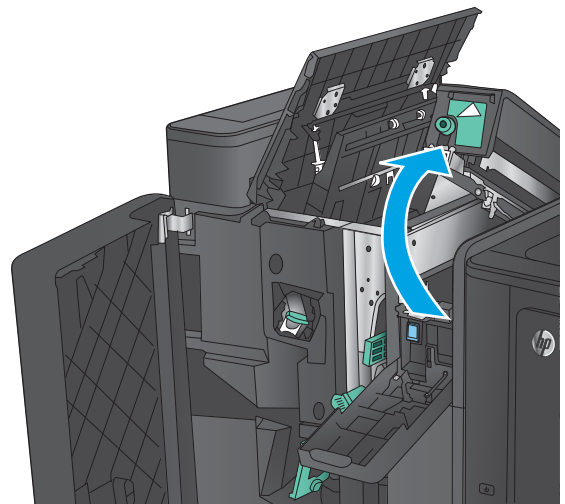
3. **Hole punch models only:** Open the hole-punch door.



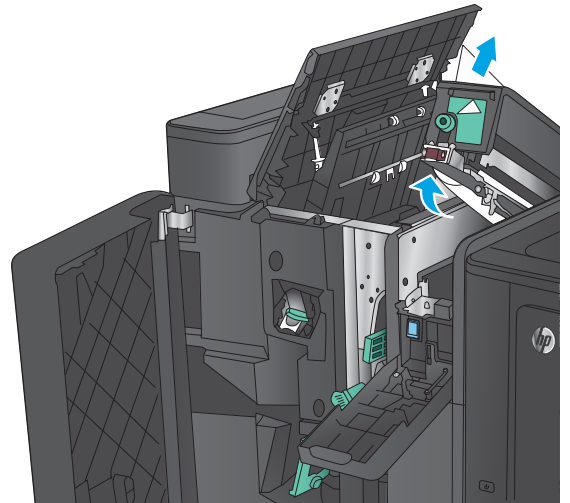
4. **Hole punch models only:** Turn the knob to align the arrows.



5. **Hole punch models only:** Lift the hole-punch unit.

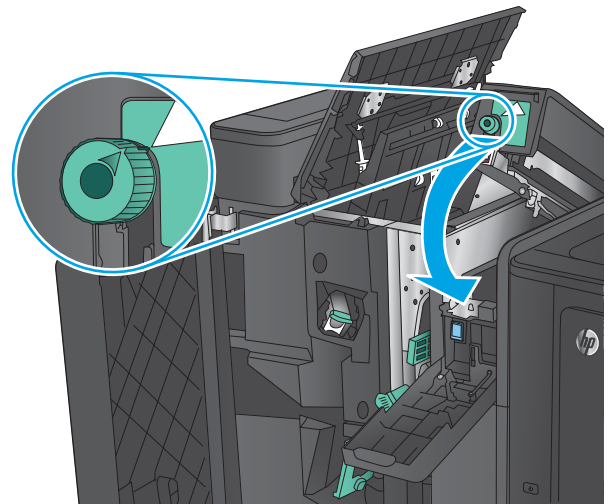


6. **Hole punch models only:** If paper is jammed in the bottom of the hole-punch unit, carefully remove it.

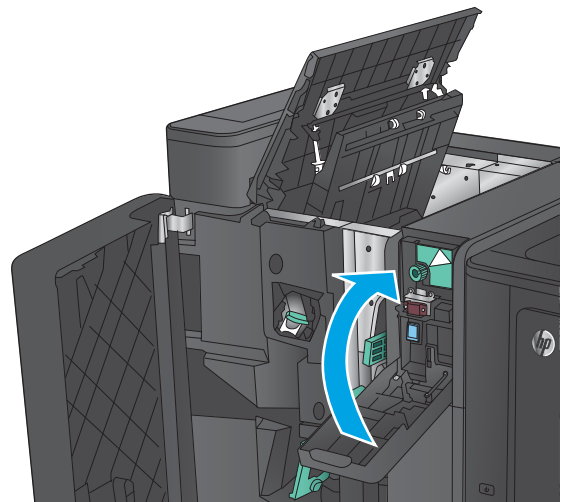


7. **Hole punch models only:** Close the hole-punch unit.

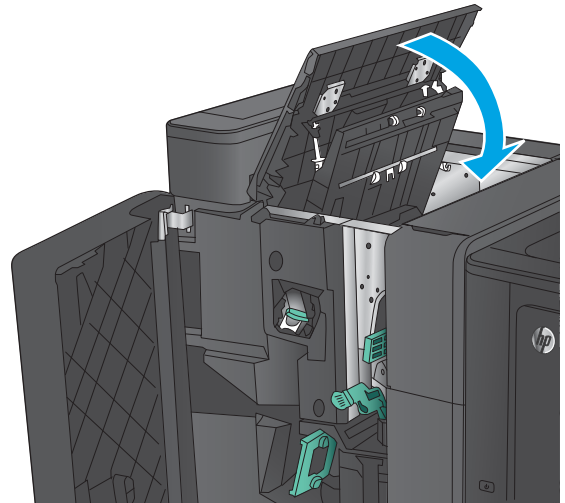
**NOTE:** Ensure the arrows on the hole punch are positioned as shown in the graphic.



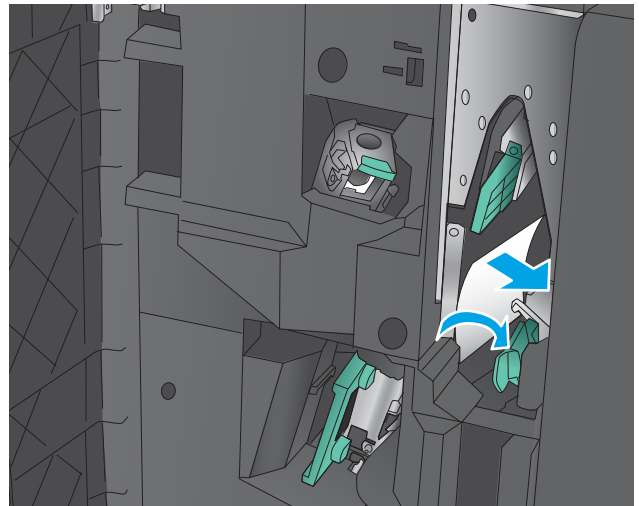
8. **Hole punch models only:** Close the hole-punch door.



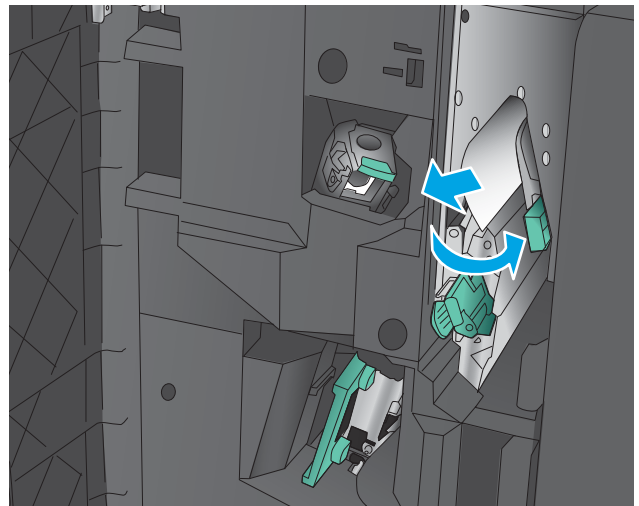
- 9. Hole punch models only:** Close the top left door.



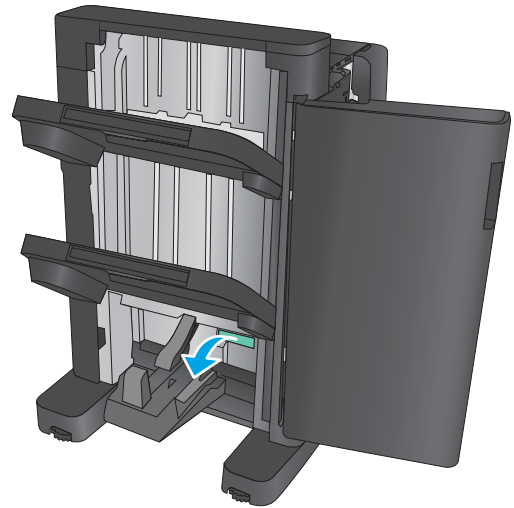
- 10.** Move the lower jam-release lever to the right, and then remove any paper. Move the lower jam-release handle to the left.



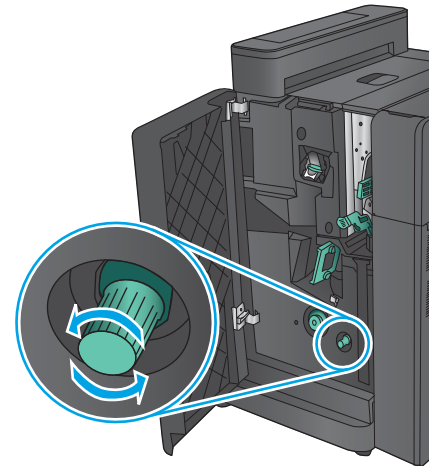
- 11.** Move the upper jam-release lever to the right, and then remove any paper. Move the upper jam-release handle to the left.



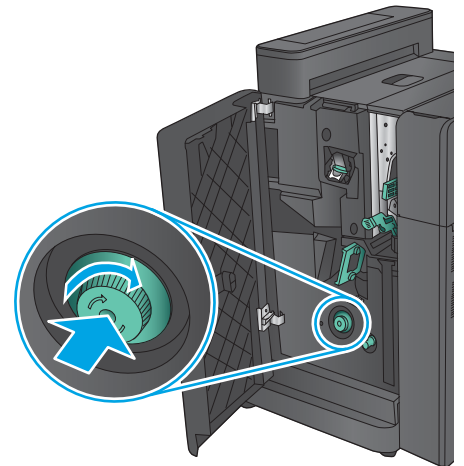
**12.** Open the lower booklet door.



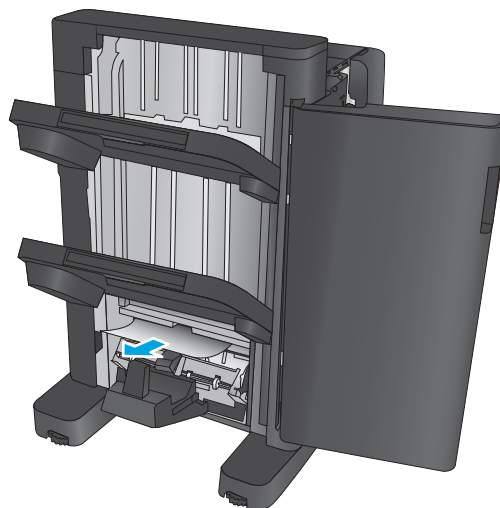
**13.** Turn the small jam-release knob counterclockwise.



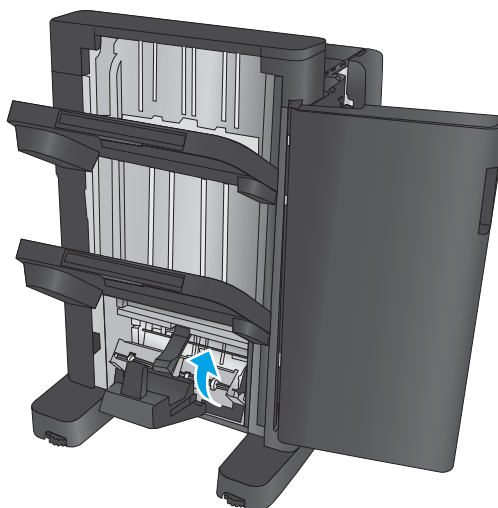
**14.** Press the large jam-release knob, and then turn it clockwise.



15. Remove all paper from the lower booklet door area.



16. Close the lower booklet door.



17. Close the front left door.

