

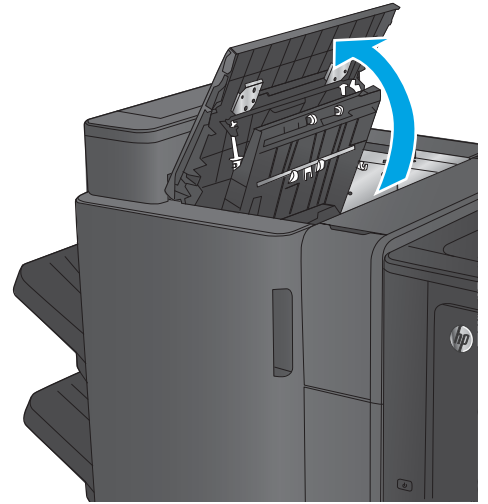


Color LaserJet Enterprise Flow MFP M880

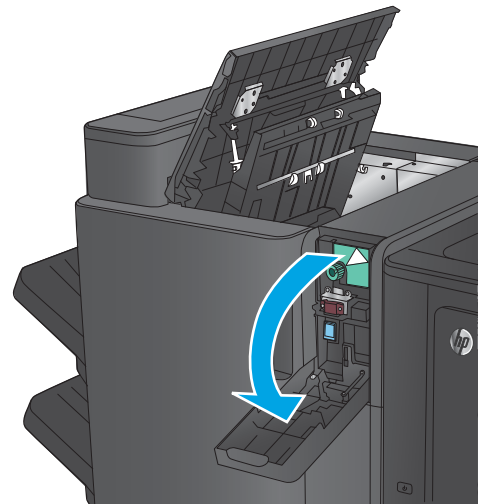


Clear stapler/stacker connection jams (hole-punch models only)

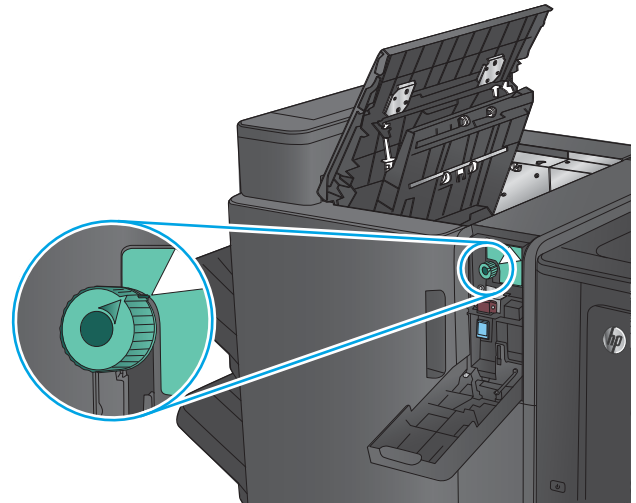
1. Open the top left door.



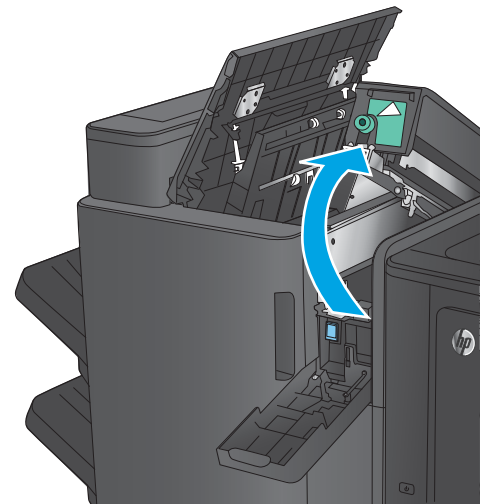
2. Open the hole-punch door.



3. Turn the knob to align the arrows.

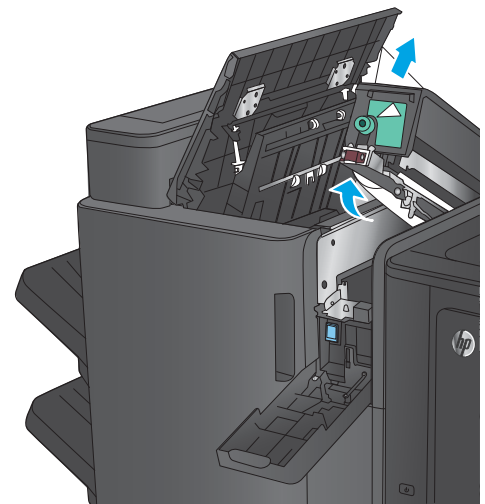


4. Lift the hole-punch unit.

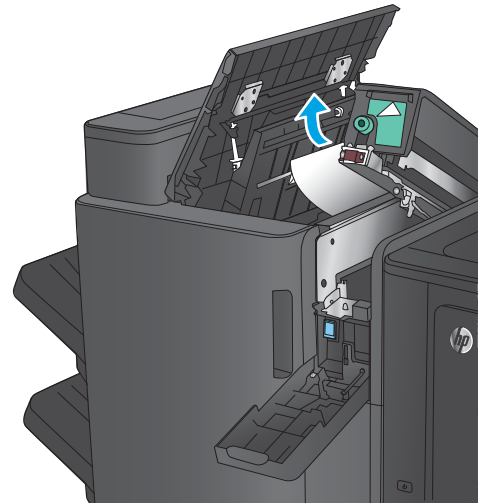


5. If paper is jammed in the bottom of the hole-punch unit, carefully remove it.

NOTE: Do not close the hole-punch unit yet.

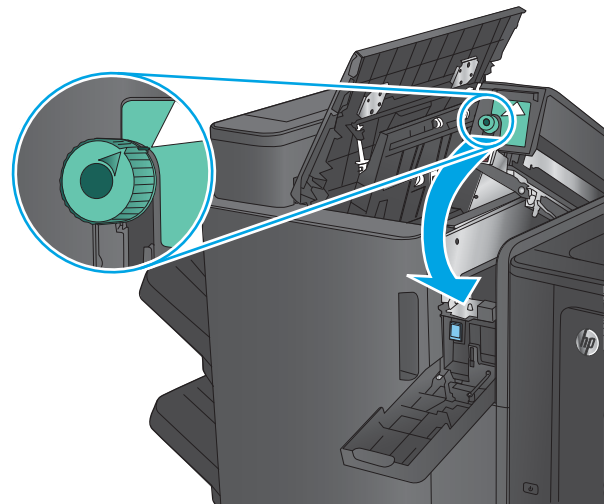


6. Remove all paper from the top left door area.

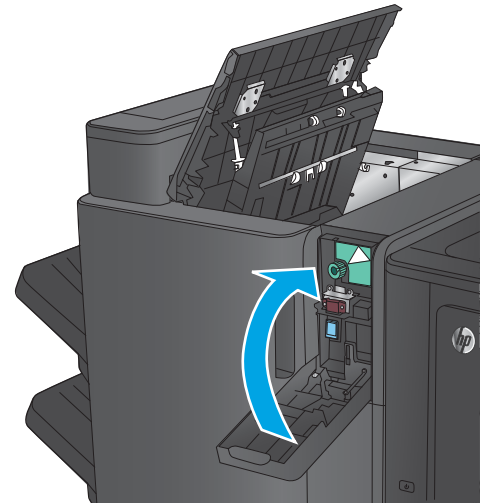


7. Close the hole-punch unit.

NOTE: Ensure the arrows on the hole punch are positioned as shown in the graphic.



8. Close the hole-punch door.



9. Close the top left door.

