

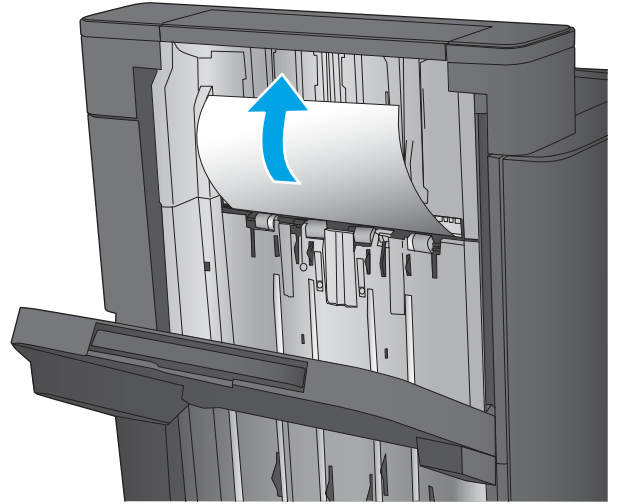


Color LaserJet Enterprise Flow MFP M880

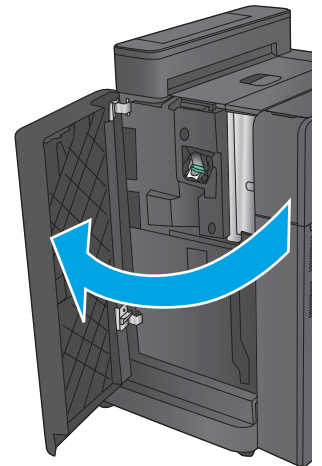


Clear Stapler 1 jams in the stapler/stacker

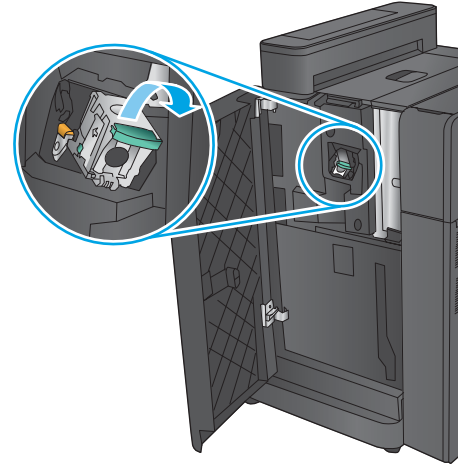
1. Lift the jam access cover for the output slot, and gently remove any jammed paper.



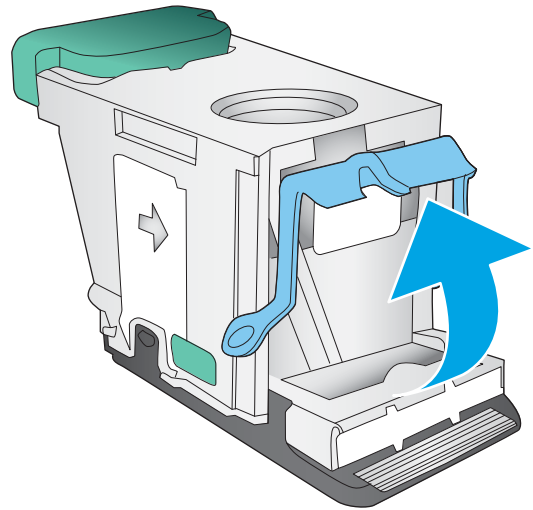
2. Wait three seconds, and then open the front left door.



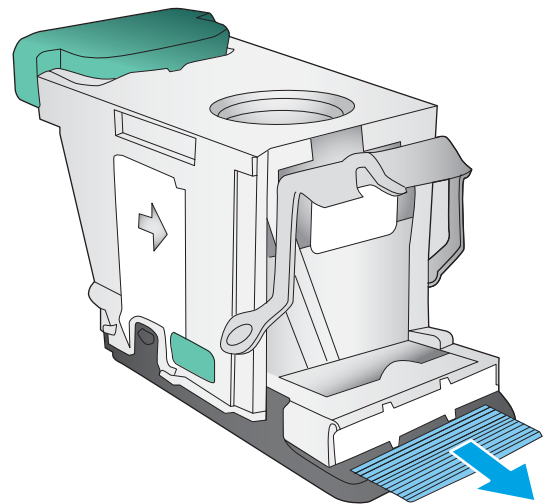
3. Pull the staple cartridge up and out to remove it.



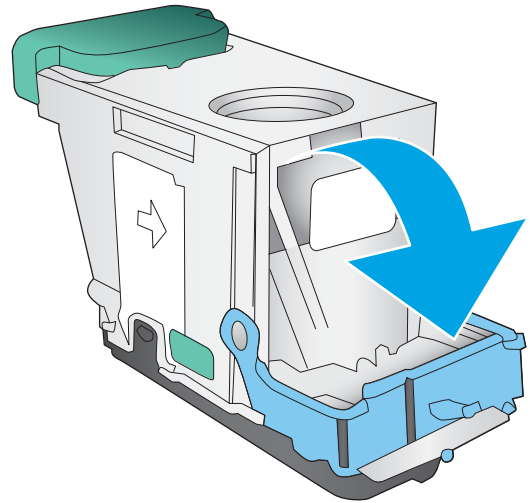
4. Lift up the metal handle on the front of the staple cartridge.



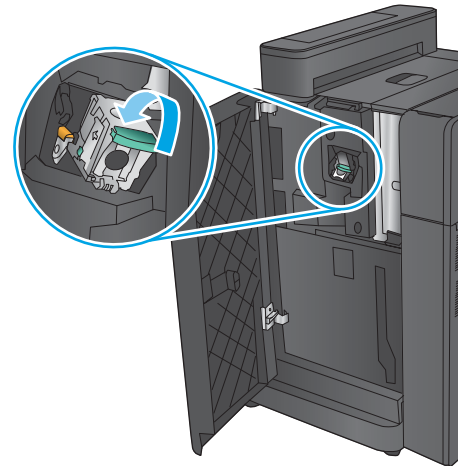
5. Remove any jammed staples from the staple cartridge.



6. Push down the metal handle on the front of the staple cartridge.



7. Insert the staple cartridge. Press down on the top of the staple cartridge until it clicks into place.



8. Close the front left door.

