

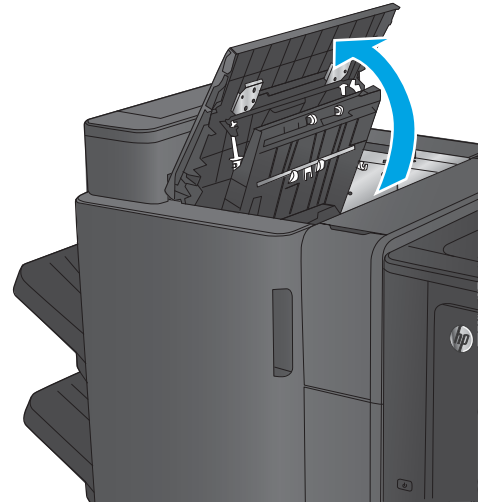


# Color LaserJet Enterprise Flow MFP M880

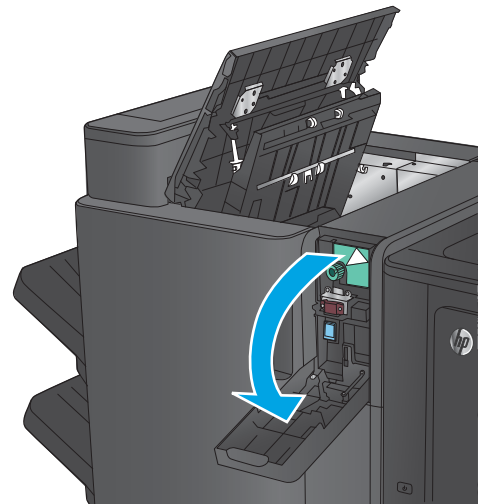


## Clear top left door jams in the stapler/stacker

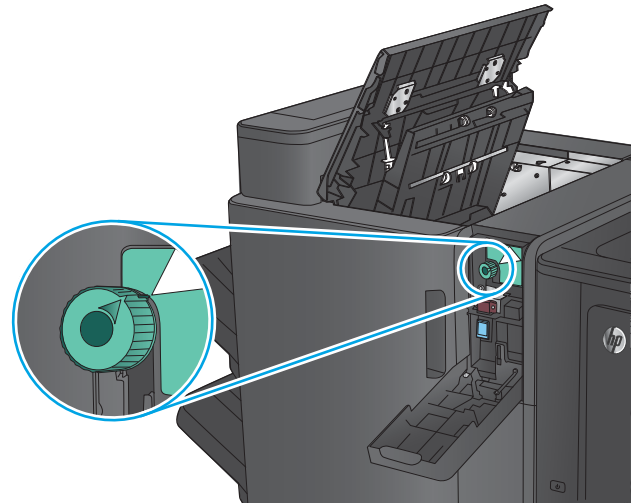
1. Open the top left door.



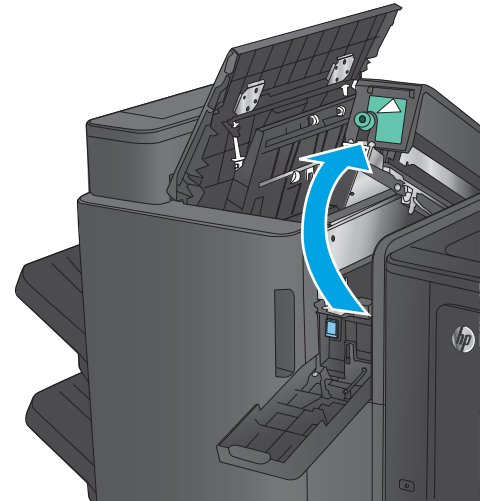
2. **Hole punch models only:** Open the hole-punch door.



3. **Hole punch models only:** Turn the knob to align the arrows.

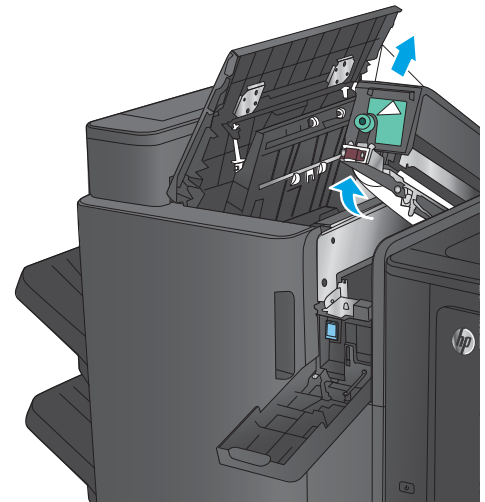


4. **Hole punch models only:** Lift the hole-punch unit.

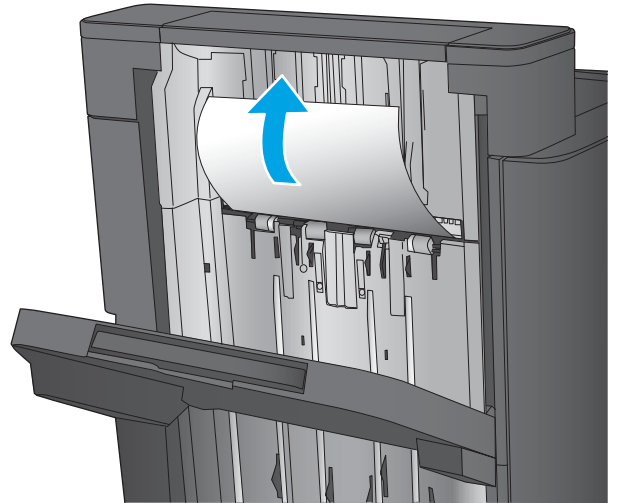


5. **Hole punch models only:** If paper is jammed in the bottom of the hole-punch unit, carefully remove it.

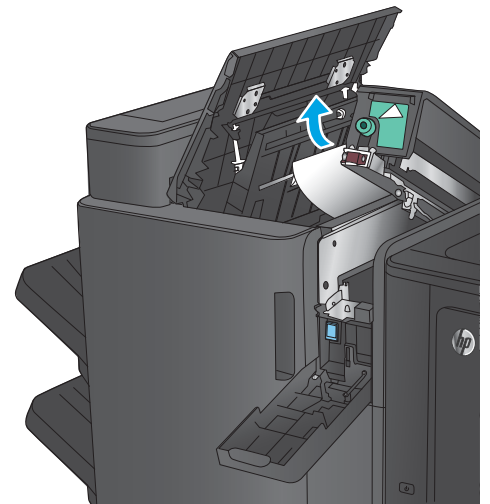
**NOTE:** Do not close the hole-punch unit yet.



6. Lift the jam access cover for the output slot, and gently remove any jammed paper.

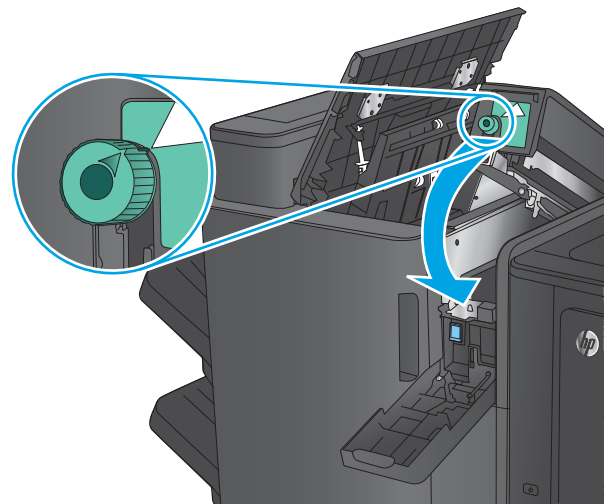


7. Remove all paper from the top left door area.

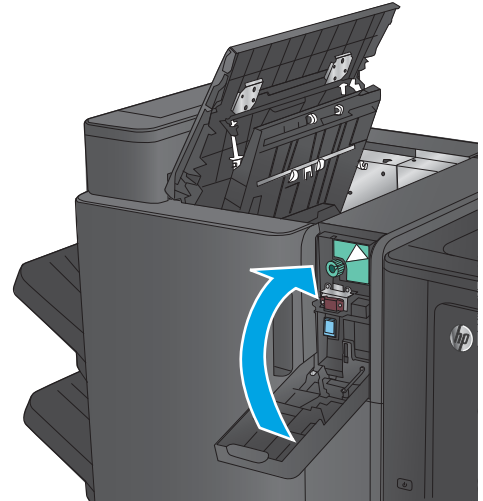


8. **Hole punch models only:** Close the hole-punch unit.

**NOTE:** Ensure the arrows on the hole punch are positioned as shown in the graphic.



9. **Hole punch models only:** Close the hole-punch door.



10. Close the top left door.

