



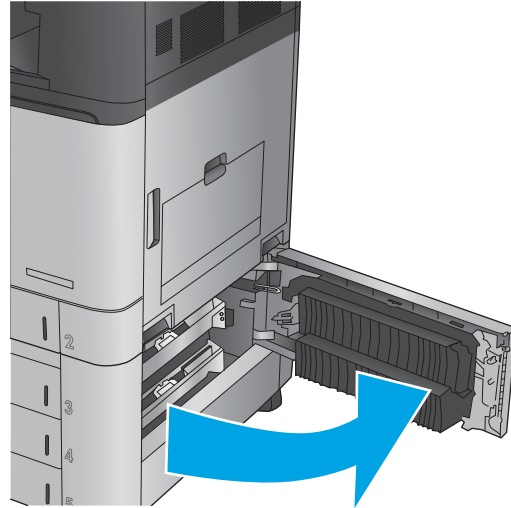
# Color LaserJet Enterprise Flow MFP M880



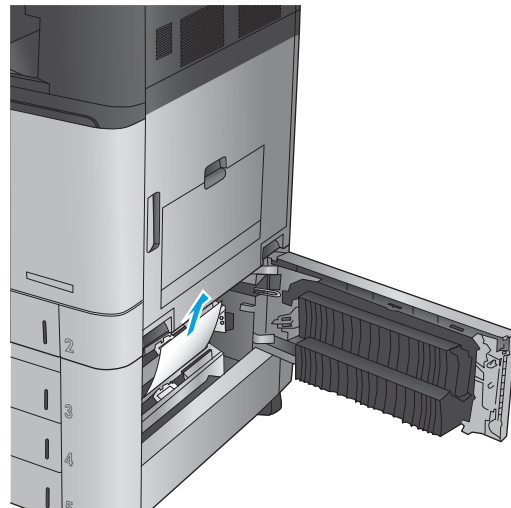
## Clear jams in the 3x500-sheet feeder and the lower-right door

Use the following procedure to check for paper in all possible jam locations related to the 3x500-sheet feeder. When a jam occurs, the control panel displays an animation that assists in clearing the jam.

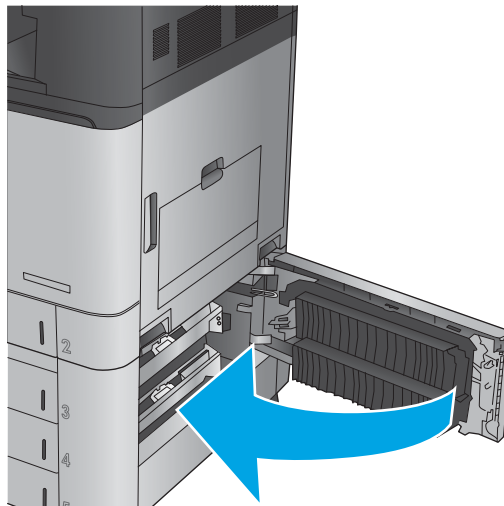
1. Open the lower-right door.



2. Gently pull out any jammed paper.

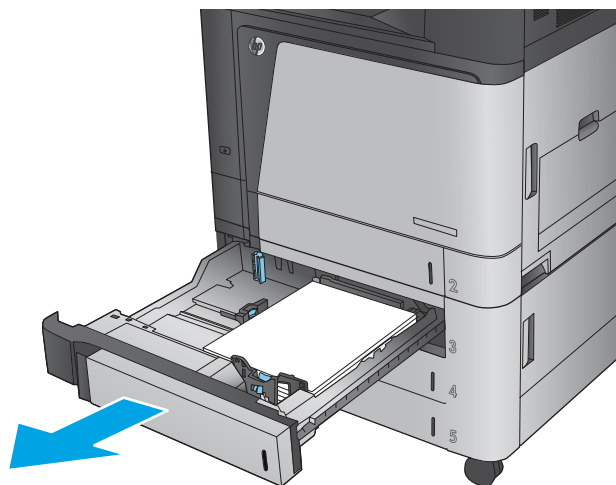


3. Close the lower-right door.

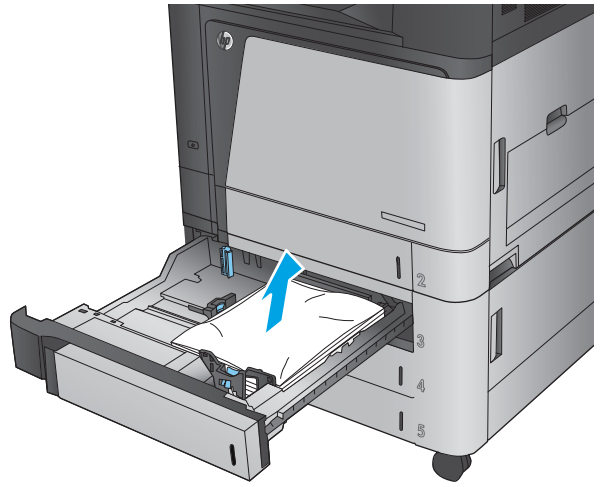


4. Open the tray.

**NOTE:** The message on the product control panel indicates which tray has the jam. The following steps show removing a jam from the top tray, but the procedure is the same for all three trays.



5. Remove any jammed or damaged sheets of paper.



6. Close the tray.

