



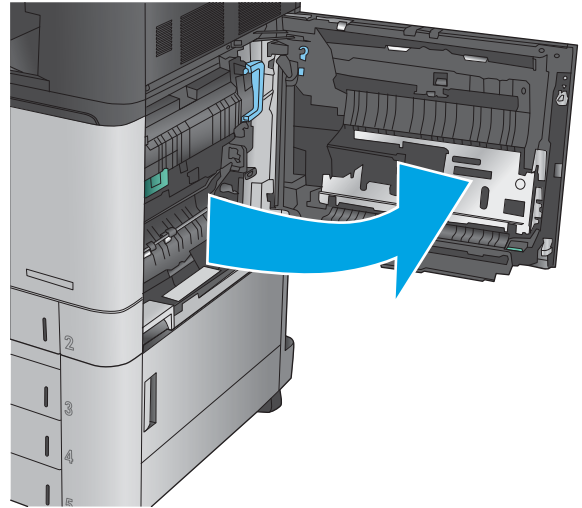
Color LaserJet Enterprise Flow MFP M880



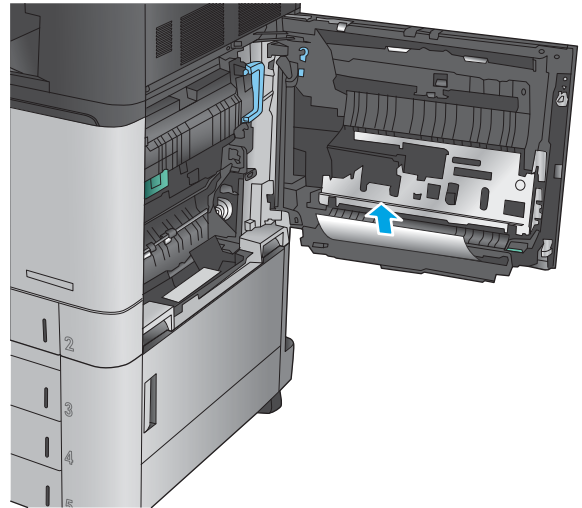
Clear jams in Tray 1, the right door, and the fuser

Clear jams in Tray 1, the right door, and the fuser by opening the right door of the product. Use the following procedure to check for paper in all possible jam locations inside the right door. When a jam occurs, the control panel displays an animation that assists in clearing the jam.

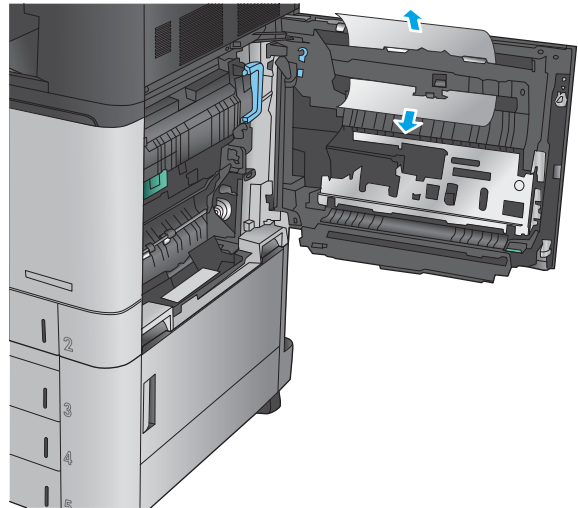
1. Open the right door.



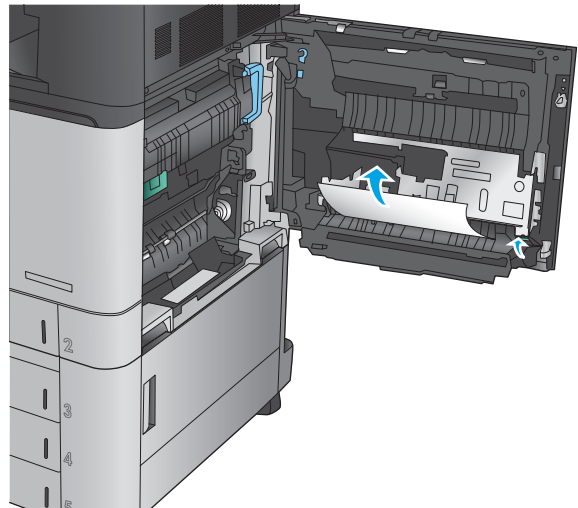
2. If paper is jammed in Tray 1, gently pull the paper from the bottom of the right door.



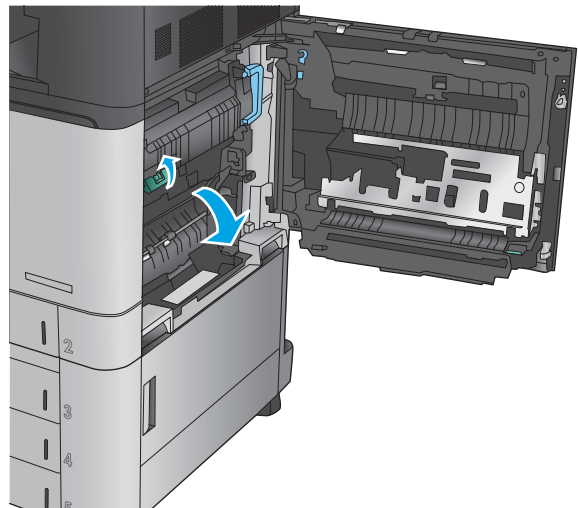
3. Check for paper in the duplex-printing path inside the right door. If paper is near the top of the duplex-printing path, gently pull it out to remove it.



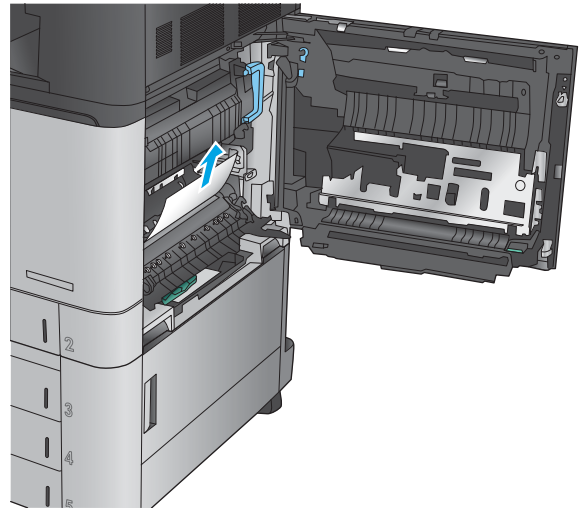
4. Lift the jam-access cover at the bottom of the duplex printing path, and remove any jammed paper.



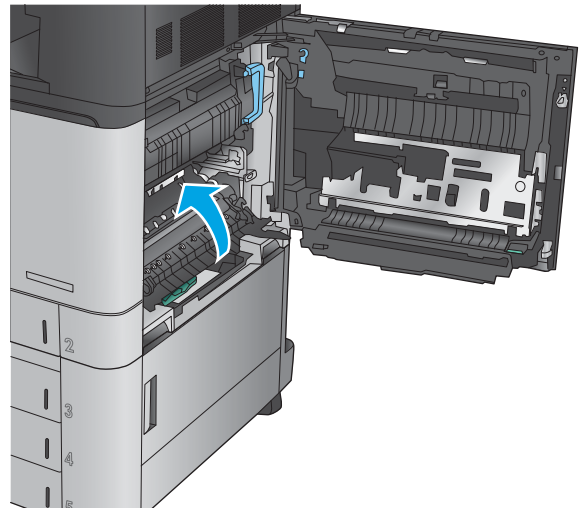
5. Lift the green handle on the transfer-access panel and open the panel.



6. Gently pull out any jammed paper.

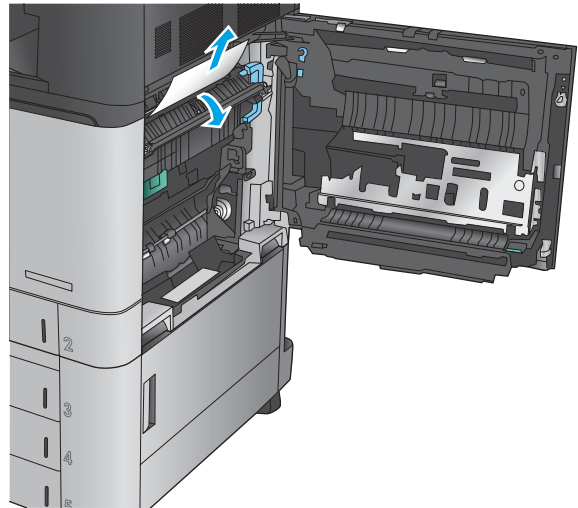


7. Close the transfer-access panel.



8. If paper is jammed in the fuser, lift the jam-access cover on top of the fuser, and gently pull out the paper.

WARNING! The fuser can be hot while the product is in use.



9. Close the right door.

