



Color LaserJet Enterprise Flow MFP M880

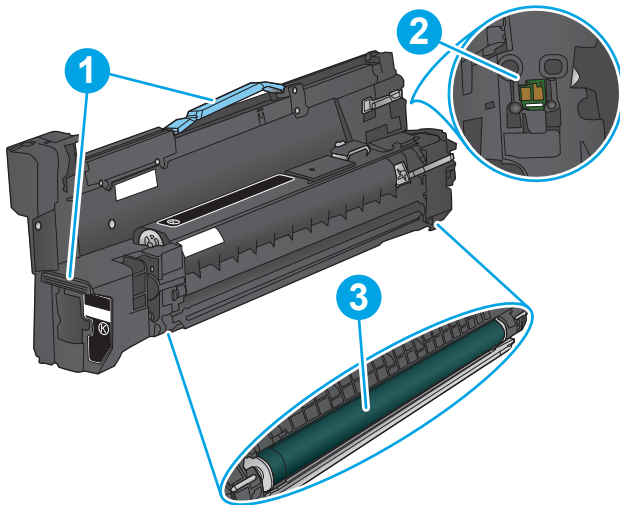


Replace the imaging drums

The product uses four colors and has a different imaging drum for each color: black (K), cyan (C), magenta (M), and yellow (Y). The product also has four toner cartridges that are separate from the imaging drums. The toner cartridges are above the imaging drums. The toner cartridges and imaging drums are inside the front door. A toner cartridge and its associated imaging drum are replaced independently of each other.

This product indicates when the imaging drum life is low. The actual imaging drum life remaining can vary. The imaging drum does not need to be replaced at this time. Consider having a replacement imaging drum available to install when print quality is no longer acceptable.

The following illustration shows the imaging-drum components.



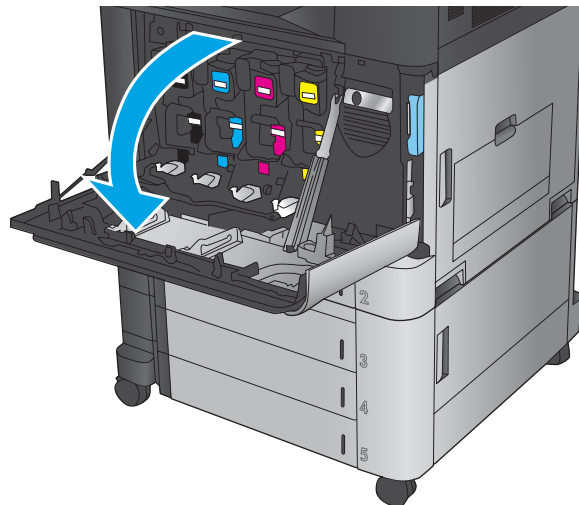
- | | |
|---|----------------------|
| 1 | Imaging-drum handles |
| 2 | Memory chip |
| 3 | Photosensitive drum |

CAUTION: Do not touch the photosensitive drum. Fingerprints on the drum can cause print defects.

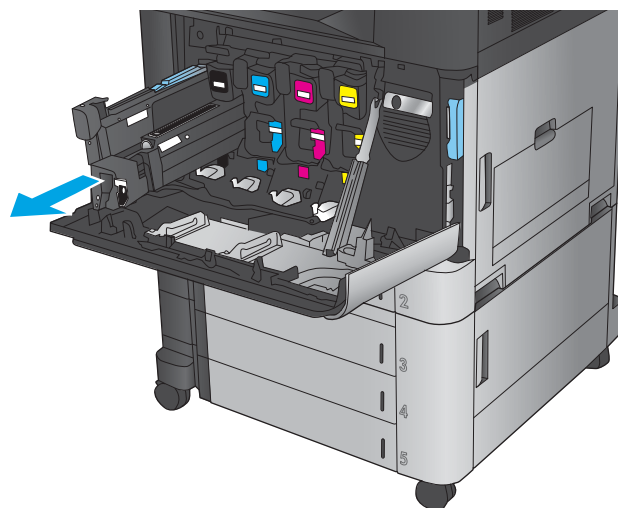
CAUTION: If toner gets on clothing, wipe it off by using a dry cloth and wash the clothes in cold water. Hot water sets toner into fabric.

NOTE: Information about recycling used imaging drums is on the imaging-drum box.

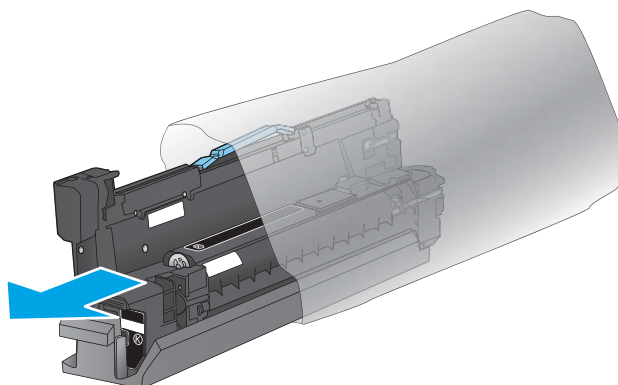
1. Open the front door.



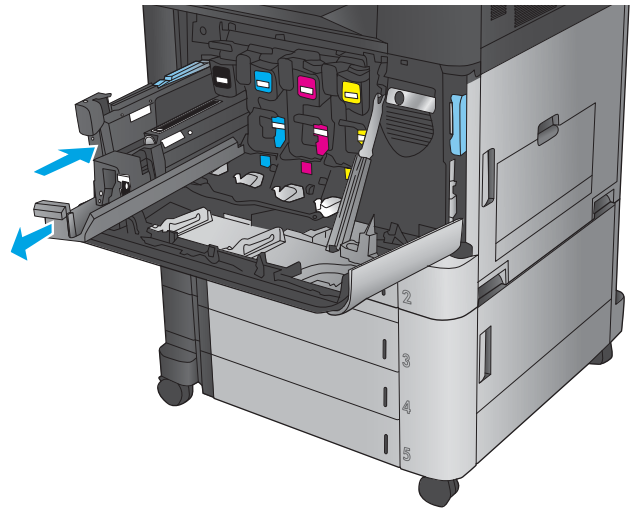
2. Grasp the handle of the used imaging drum and pull out to remove it. Grasp the blue handle on the top of the imaging drum to support it.



3. Remove the new imaging drum from its protective bag.



4. Align the imaging drum with its slot, and then insert the imaging drum into the product. The protective cover on the bottom of the drum automatically slides off as the imaging drum is inserted. Recycle this cover with the used imaging drum.



5. Close the front door.

