



Color LaserJet Enterprise Flow MFP M880

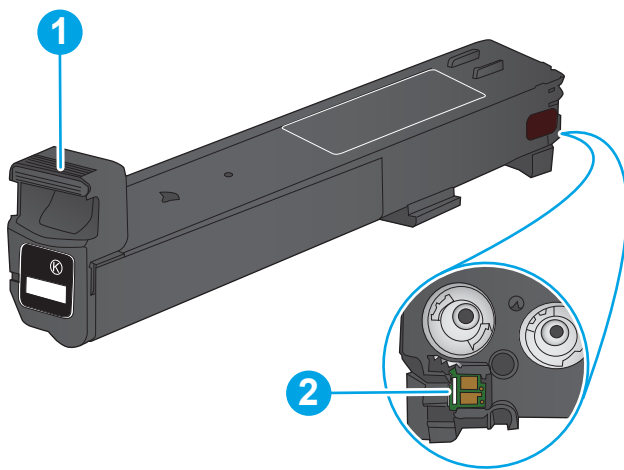


Replace the toner cartridges

The product uses four colors and has a different toner cartridge for each color: black (K), cyan (C), magenta (M), and yellow (Y). The product also has four imaging drums that are separate from the toner cartridges. The toner cartridges are above the imaging drums. The toner cartridges and imaging drums are inside the front door. A toner cartridge and its associated imaging drum are replaced independently of each other.

This product indicates when the toner cartridge level is low. The actual toner cartridge life remaining can vary. The toner cartridge does not need to be replaced at this time. Consider having a replacement cartridge available to install when print quality is no longer acceptable.

The following illustration shows the toner-cartridge components.

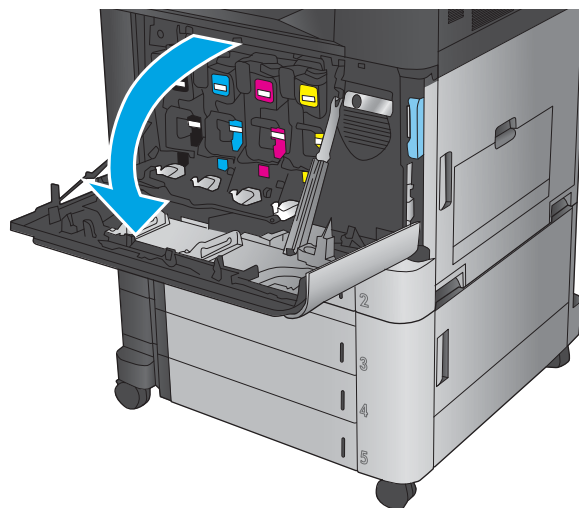


1	Toner-cartridge handle
2	Memory chip

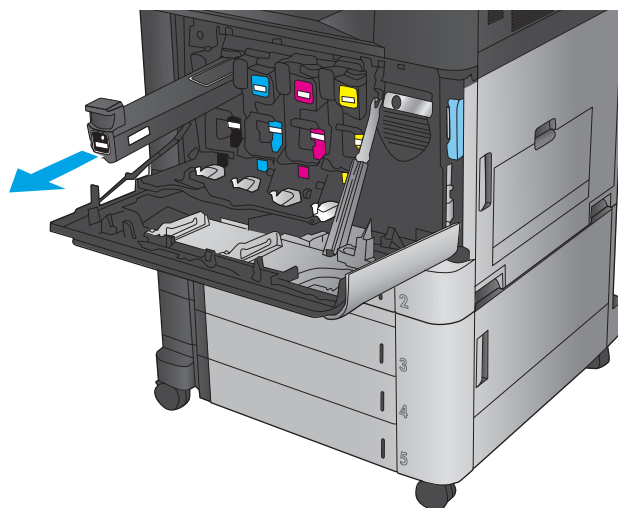
CAUTION: If toner gets on clothing, wipe it off by using a dry cloth and wash the clothes in cold water. Hot water sets toner into fabric.

NOTE: Information about recycling used toner cartridges is on the toner cartridge box.

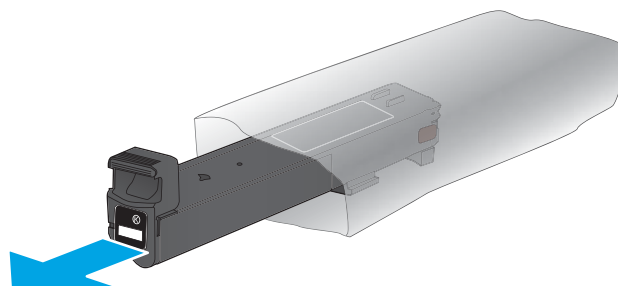
1. Open the front door.



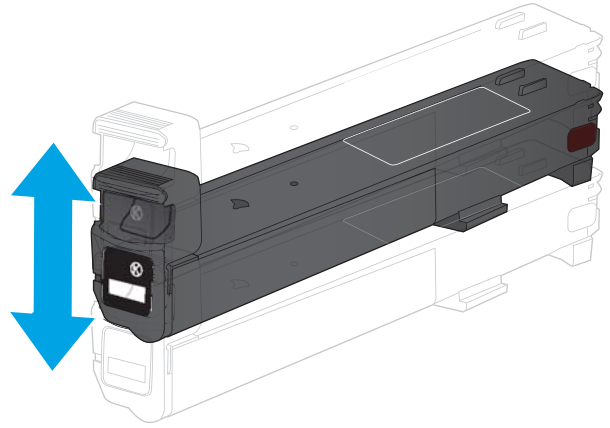
2. Grasp the handle of the used toner cartridge and pull out to remove it.



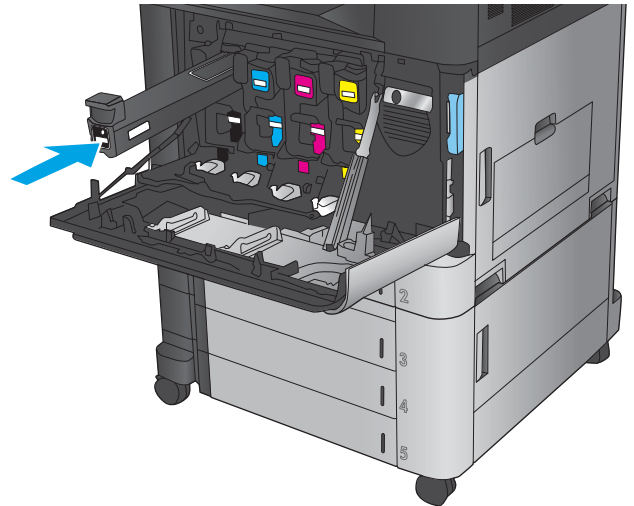
3. Remove the new toner cartridge from its protective bag.



4. Hold both sides of the toner cartridge and shake it up and down 5-6 times.



5. Align the toner cartridge with its slot, and then insert the toner cartridge into the product.



6. Close the front door.

