



HP LaserJet Enterprise 700 color MFP M775



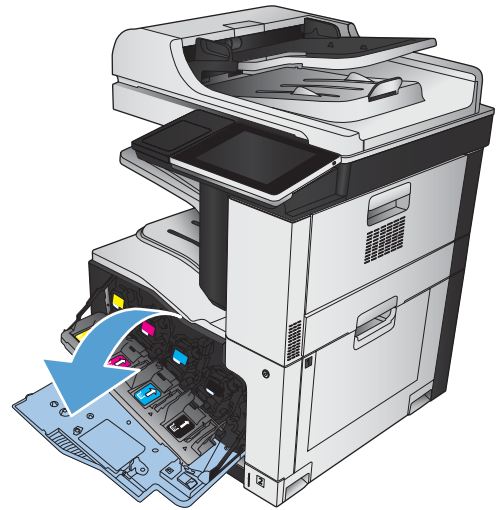
Replace the toner cartridges

The product uses four colors and has a different toner cartridge for each color: black (K), magenta (M), cyan (C), and yellow (Y).

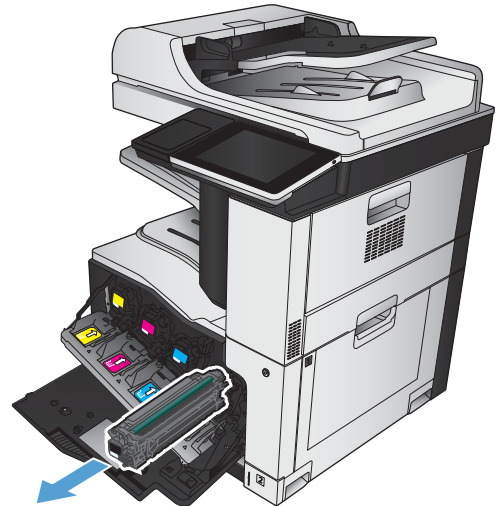
CAUTION: If toner gets on clothing, wipe it off by using a dry cloth and wash the clothes in cold water. Hot water sets toner into fabric.

NOTE: Information about recycling used toner cartridges is inside the toner cartridge box.

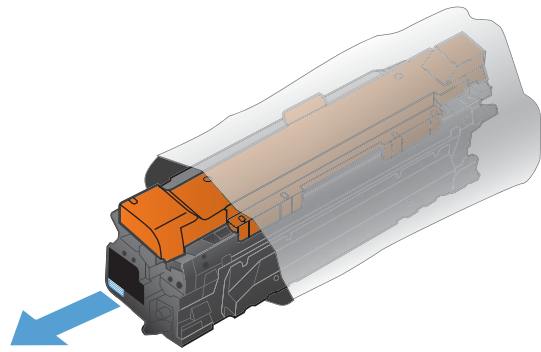
1. Open the front door. Make sure that the door is completely open.



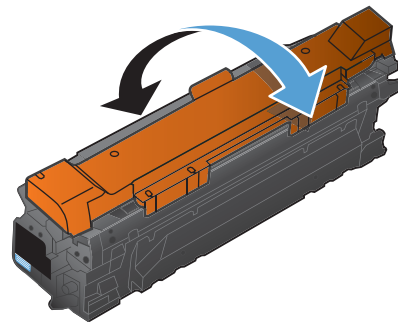
2. Grasp the handle of the used toner cartridge and pull out to remove.



3. Remove the new toner cartridge from its protective bag.



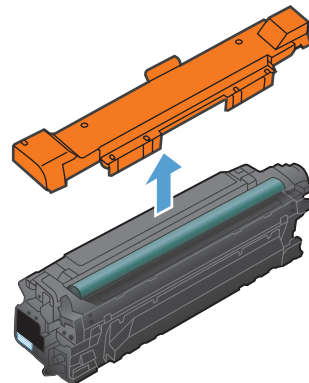
4. Grasp both sides of the toner cartridge and distribute the toner by gently rocking the toner cartridge.



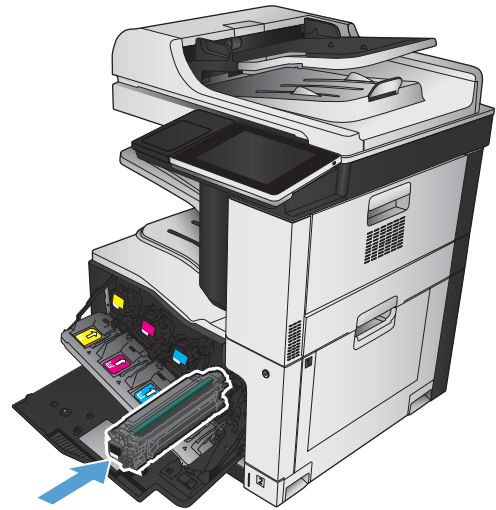
5. Remove the plastic shield from the toner cartridge.

CAUTION: Avoid prolonged exposure to light.

CAUTION: Do not touch the green roller. Doing so can damage the cartridge.



6. Align the toner cartridge with its slot and insert the toner cartridge until it clicks into place.



7. Close the front door.

