

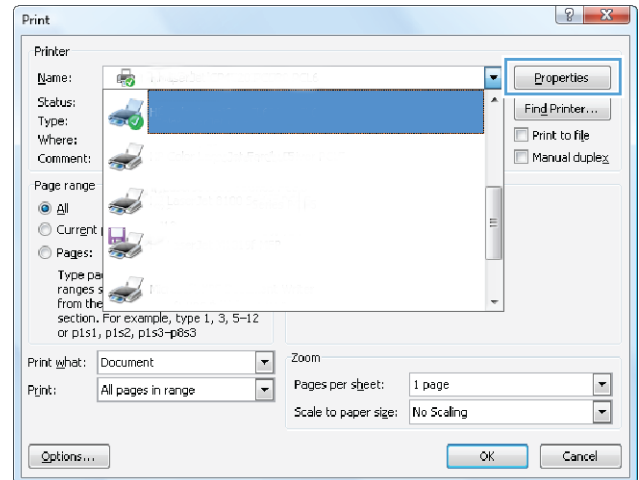


HP LaserJet Enterprise 700 color MFP M775

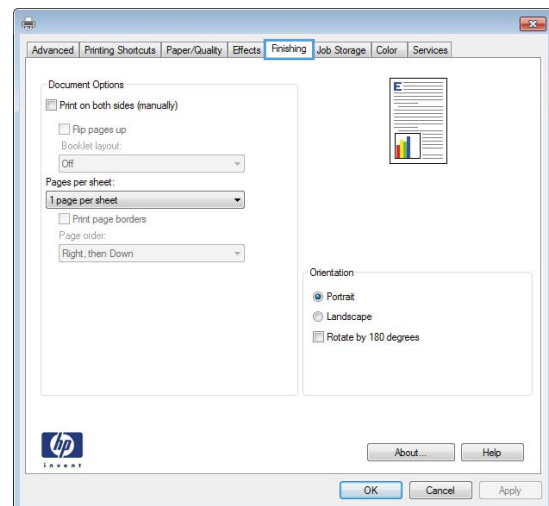


Manually print on both sides (Windows)

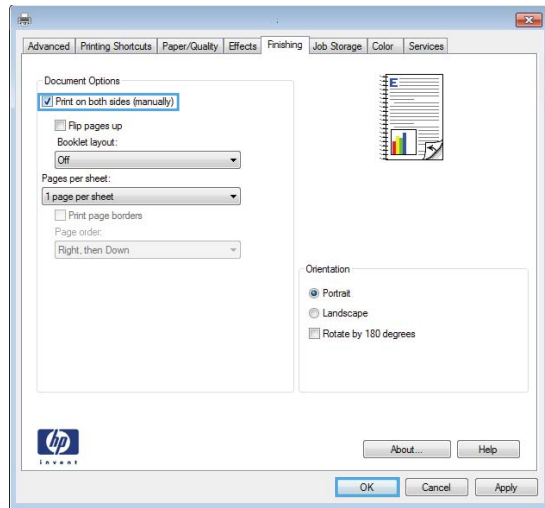
1. From the software program, select the **Print** option.
2. Select the product, and then click the **Properties** or **Preferences** button.



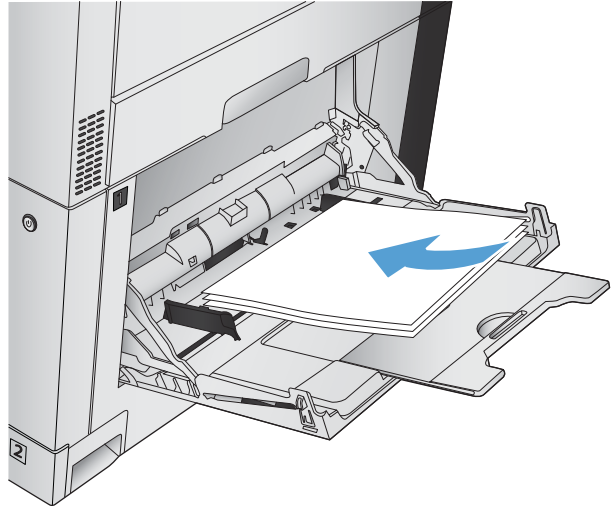
3. Click the **Finishing** tab.



4. Select the **Print on both sides (manually)** check box. Click the **OK** button to print the first side of the job.



5. Retrieve the printed stack from the output bin, and place it with the printed-side facing up in Tray 1.



6. If prompted, touch the appropriate control panel button to continue.