



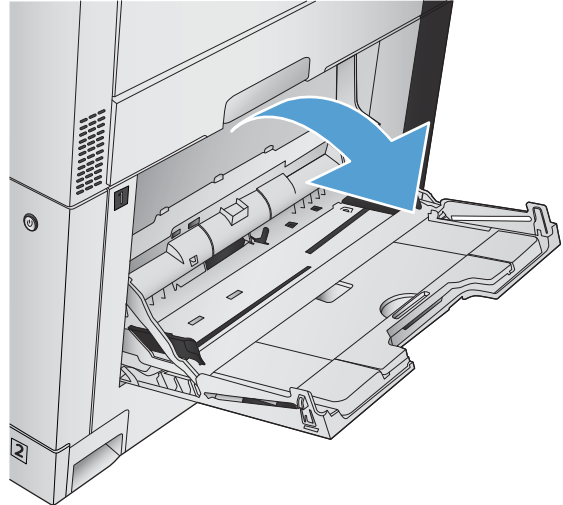
HP LaserJet Enterprise 700 color MFP M775



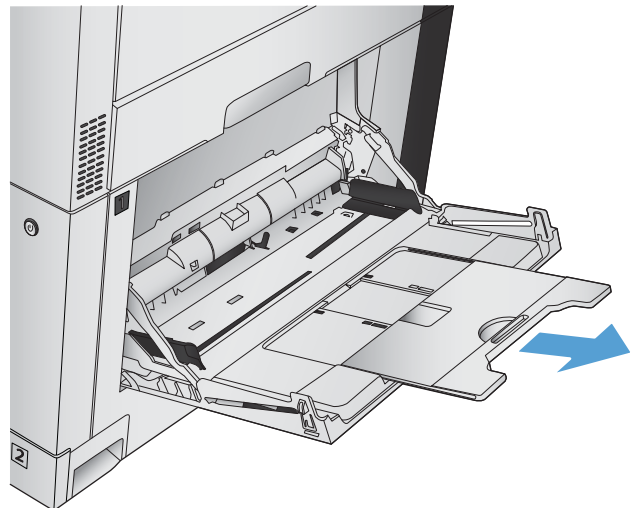
Load Tray 1

CAUTION: To avoid jams, never add or remove paper from Tray 1 during printing.

1. Open Tray 1.

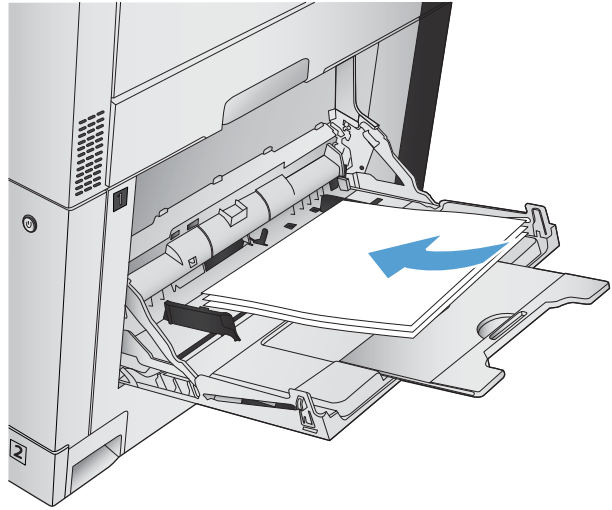


2. Pull out the tray extension to support the paper.

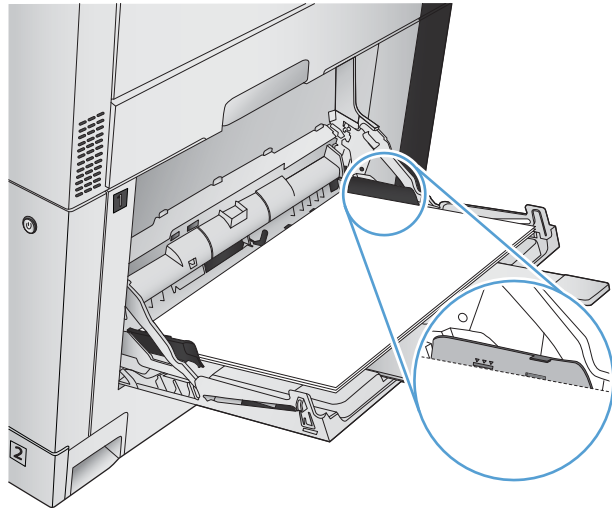


3. Load paper in the tray.

TIP: To achieve the highest print-quality, HP recommends that you load the paper long-edge first.



4. Make sure that the stack fits under the tabs on the guides and does not exceed the load-level indicators.



5. Adjust the side guides so that they lightly touch the paper stack but do not bend it.

