



HP LaserJet Enterprise 700 color MFP M775



500-sheet trays

Tray capacity and paper orientation

To prevent jams, do not overfill trays. Be sure the top of the stack is below the tray-full indicator. For short/narrow and heavy/glossy paper, load paper to less than half of the tray-full indicators.

Table 3-6 500-sheet tray capacity

Paper type	Specifications	Quantity
Paper	Range:	Equivalent to 500 sheets of 75 g/m ² (20 lb) bond
	60 g/m ² (16 lb) bond to 220 g/m ² (59 lb) bond	Maximum stack height: 53 mm (2.1 in)
Transparencies	Minimum: 0.102 mm (0.004 in) thick	Maximum stack height: 53 mm (2.1 in)
Glossy paper	Range:	Maximum stack height: 53 mm (2.1 in)
	105 g/m ² (28 lb) bond to 220 g/m ² (58 lb) bond	

¹ 500-sheet trays can print on bond paper heavier than 220 g/m² (59 lb) in some circumstances, but HP does not guarantee results.

Table 3-7 500-sheet tray paper orientation

Paper type	Image orientation	Duplex mode	How to load paper
Preprinted or letterhead	Portrait	1-sided printing	Face up Top edge at the back of the tray

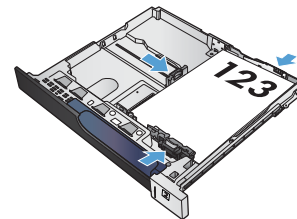
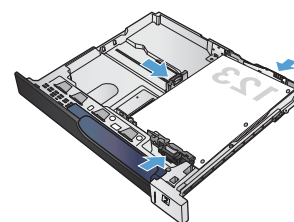
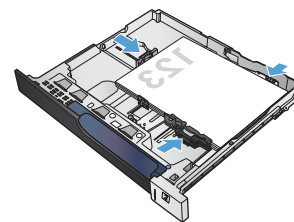
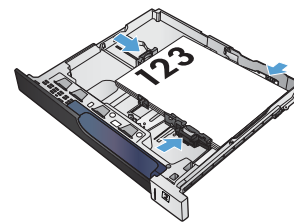
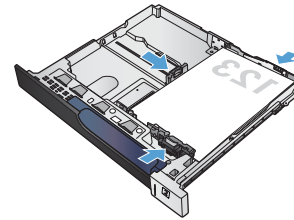


Table 3-7 500-sheet tray paper orientation (continued)

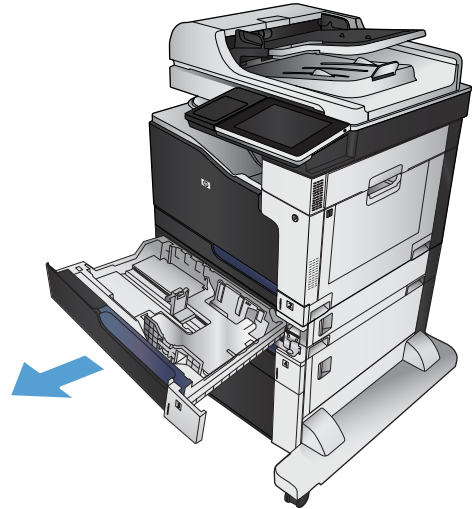
Paper type	Image orientation	Duplex mode	How to load paper
		Automatic 2-sided printing	Face down Top edge at the back of the tray
	Landscape	1-sided printing	Face up Bottom edge toward the right side of the tray
		Automatic 2-sided printing	Face down Bottom edge toward the right side of the tray
Prepunched	Portrait	1-sided printing Automatic 2-sided printing	Holes toward the right side of the tray



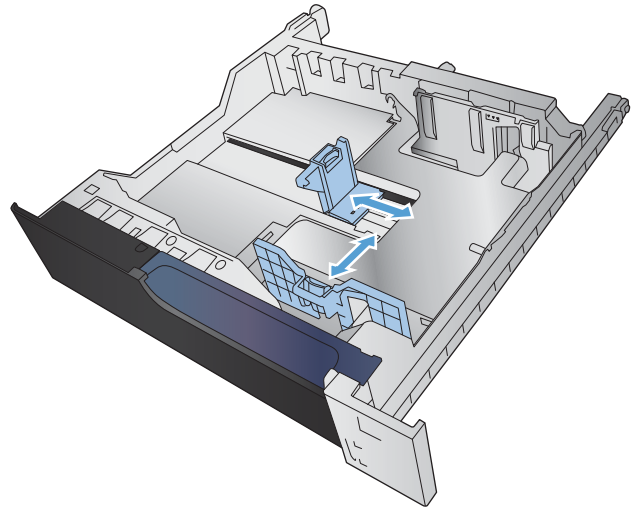
Load the 500-sheet trays

1. Open the tray.

NOTE: Do not open the tray while it is in use.

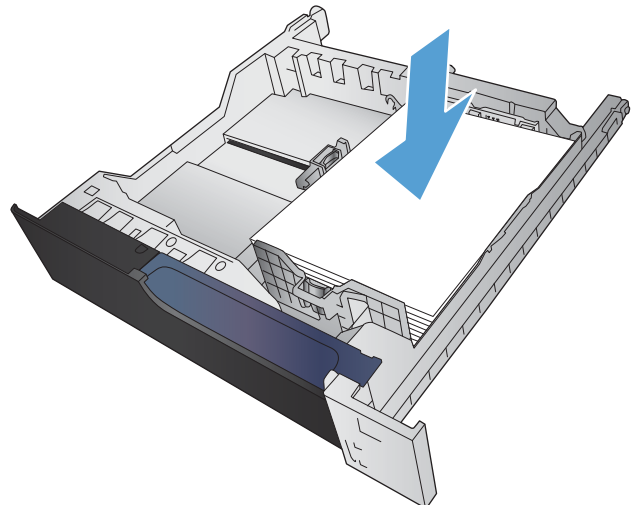


2. Adjust the paper-length and paper-width guides by squeezing the adjustment latches and sliding the guides to the size of the paper being used.

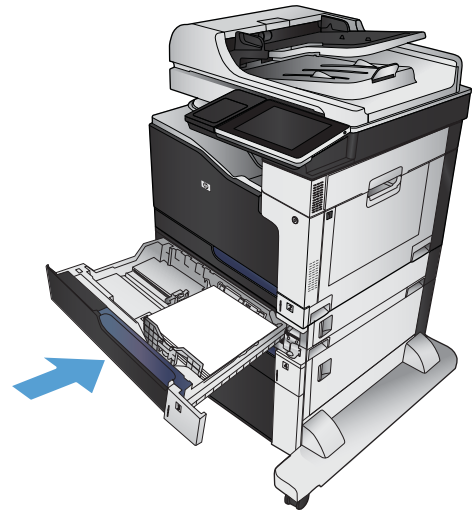


3. Load paper into the tray. Check the paper to verify the guides lightly touch the stack, but do not bend it.

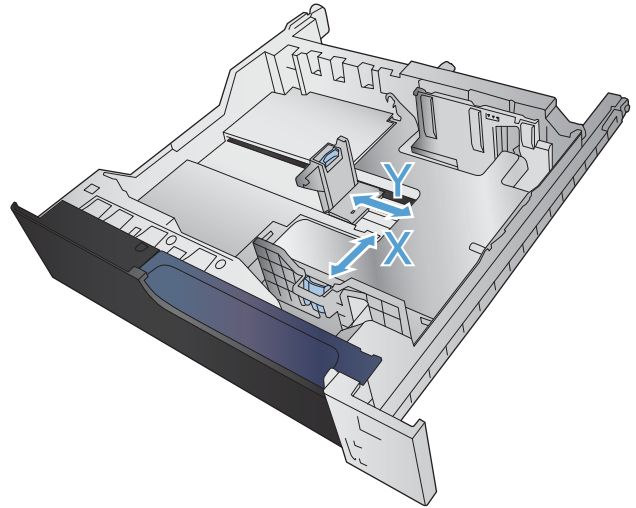
NOTE: To prevent jams, do not overfill the tray. Be sure that the top of the stack is below the tray full indicator.



4. Close the tray.



5. The control panel shows the tray's paper type and size. If the configuration is not correct, follow the instructions on the control panel to change the size or type.
6. For custom-size paper, you need to specify the X and Y dimensions for the paper when the prompt displays on the product control panel.



Automatic paper sensing (auto-sense mode)

The automatic paper type sensor functions when a tray is configured to the **Any Type** or plain type setting.

After it has picked up paper from the tray, the product can detect overhead transparencies, paper weight, and gloss level.

For more control, select a specific paper type for the job or configure the tray for a specific paper type.

Auto-sense settings

1. From the Home screen on the product control panel, scroll to and touch the [Administration](#) button.
2. Open the following menus:
 - [General Settings](#)
 - [Print Quality](#)
 - [Auto Sense Behavior](#)
3. Select one of the auto-sense modes.

Expanded sensing

NOTE: This is the default setting for all trays.

For the first few sheets of paper that it picks up from the tray, the product detects light paper, plain paper, heavy paper, glossy paper, tough paper, and transparencies. The product assumes the rest of the pages are of the same type.

Transparency only

The product distinguishes between transparencies and non-transparencies. This setting provides the fastest printing, but for some paper types it might reduce print quality.
