



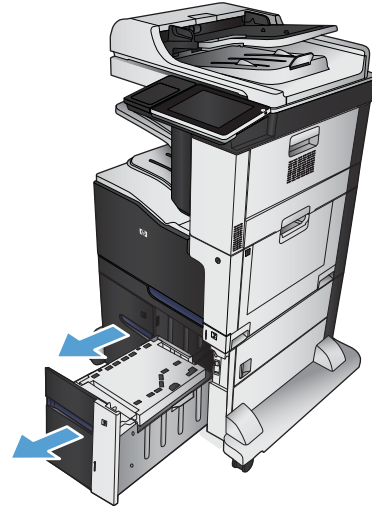
HP LaserJet Enterprise 700 color MFP M775



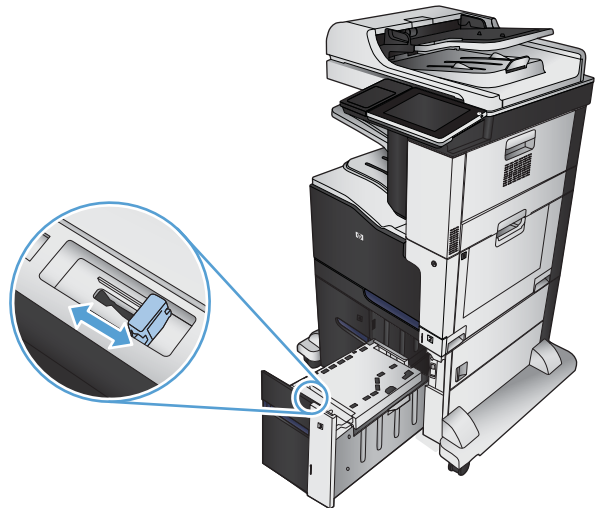
Load the 3,500-sheet high-capacity tray

The 3,500-sheet high-capacity tray supports only A4 and Letter-size paper.

1. Open the right and left sides of the tray.

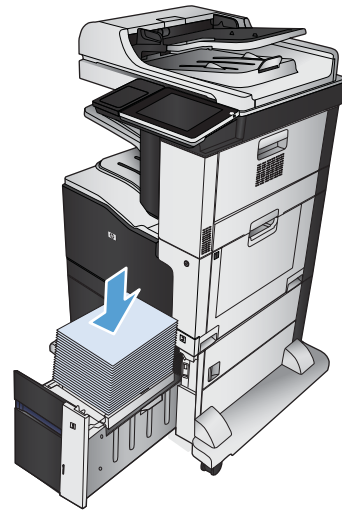


2. On each side, adjust the paper-size lever to the correct position for the paper you are using.



3. Load full reams of paper into each side of the tray. The right side holds 1,500 sheets of paper. The left side holds 2,000 sheets of paper.

NOTE: For best results, load full reams of paper. Avoid dividing reams into smaller sections.



4. Close the right and left sides of the tray.

