

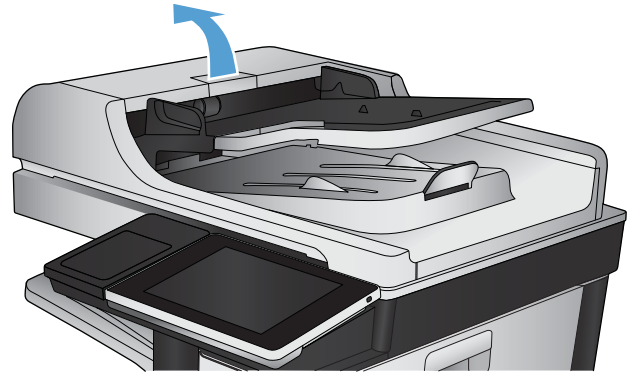


# HP LaserJet Enterprise 700 color MFP M775

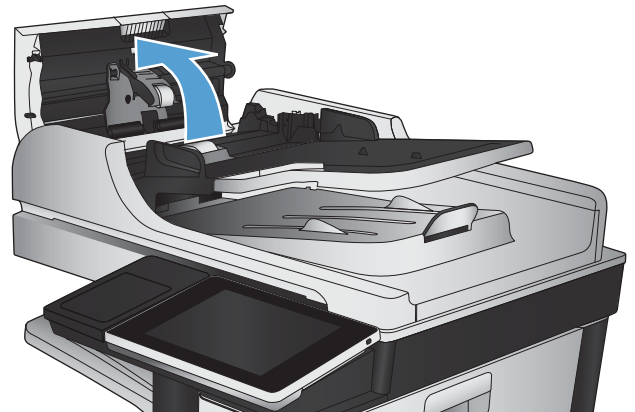


## Clean the pickup rollers and separation pad in the document feeder

1. Lift the document-feeder latch.

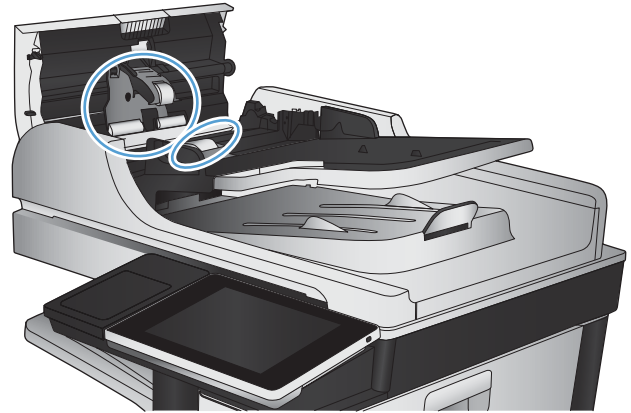


2. Open the document-feeder cover.



3. Remove any visible lint or dust from each of the feed rollers and the separation pad using compressed air or a clean lint-free cloth moistened with warm water.

**NOTE:** Lift up the roller assembly so you can clean the second roller.



4. Close the document-feeder cover.

