



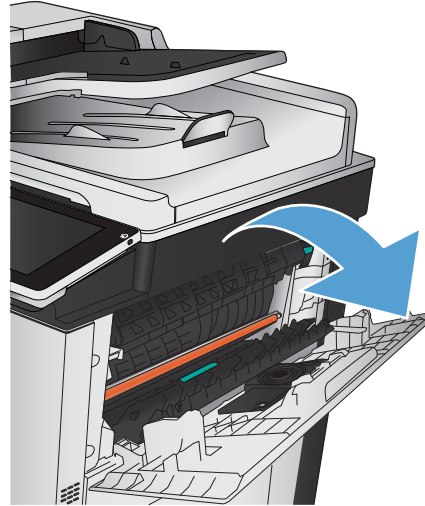
HP LaserJet Enterprise 700 color MFP M775



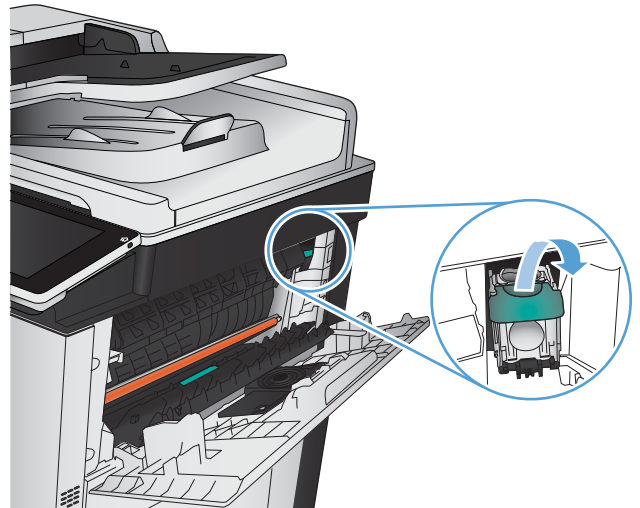
Clear staple jams

To reduce the risk of staple jams, make sure that you staple 30 or fewer pages of paper (80 g/m² (20 lb) at a time.

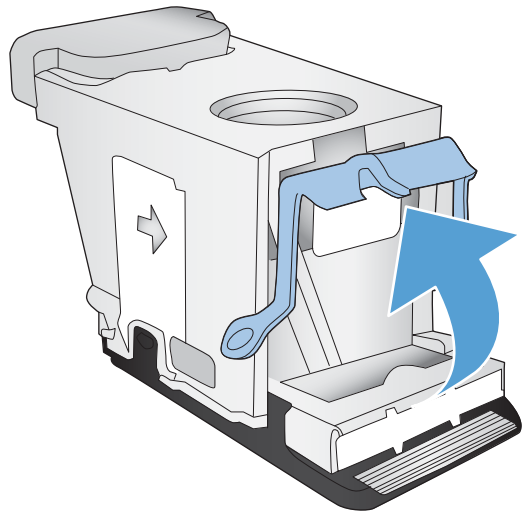
1. Open the upper-right door.



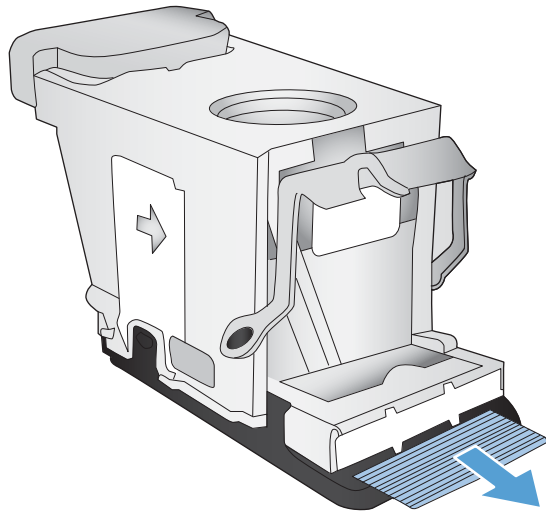
2. Pull the staple cartridge up and out to remove it.



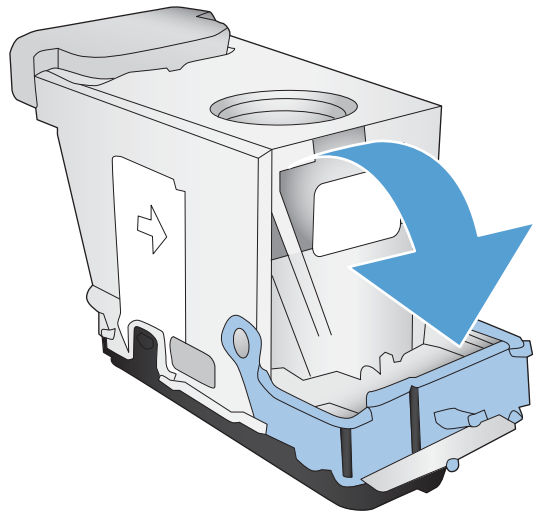
3. Lift up the handle on the front of the staple cartridge.



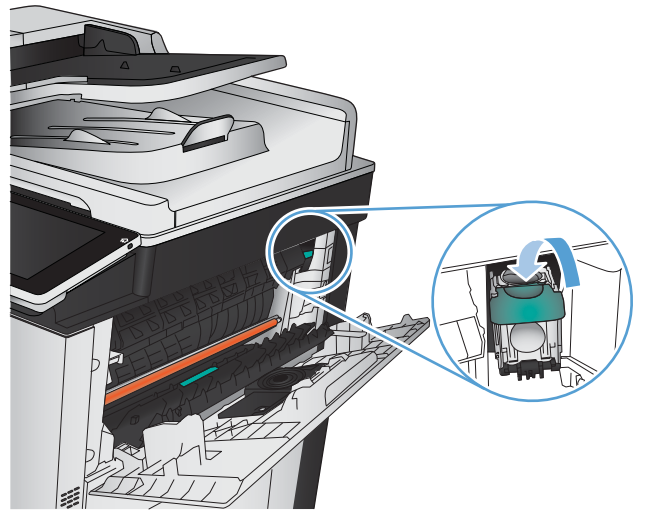
4. Remove the sheet of staples from the staple cartridge.



5. Push down the handle on the front of the staple cartridge.



6. Insert the staple cartridge. Press down on the top of the staple cartridge until it clicks into place.



7. Close the upper-right door.

