

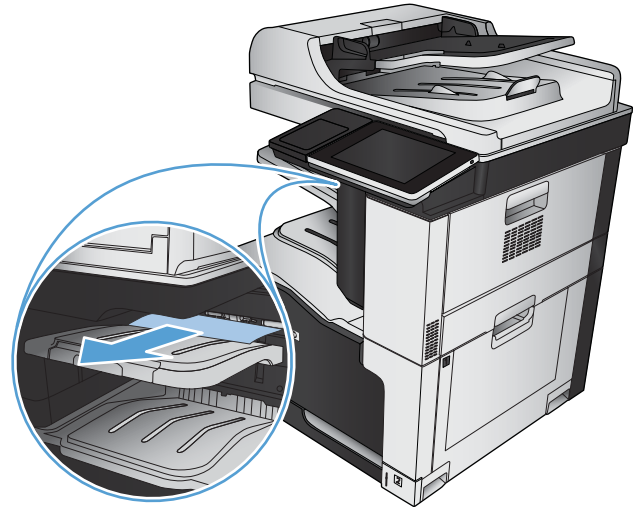


HP LaserJet Enterprise 700 color MFP M775

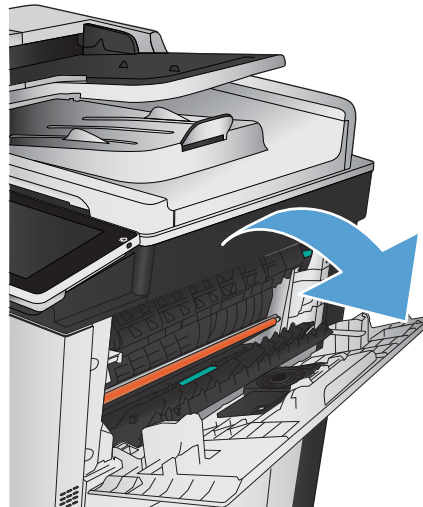


Clear jams in the stapler/stacker

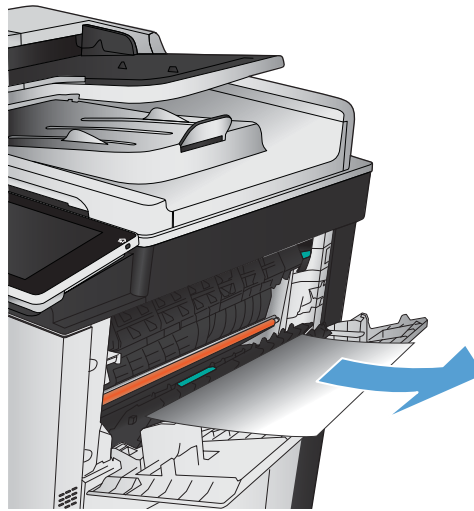
1. If paper is visible in the stapler/stacker output bin, grasp the leading edge of the paper and slowly pull the paper out of the product.



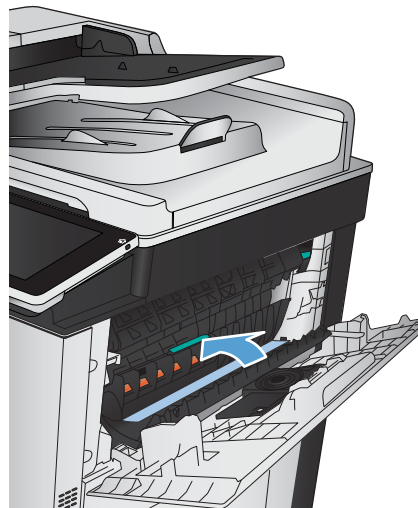
2. Open the stapler/stacker door.



3. If jammed paper is visible, grasp both sides of the paper and slowly pull it out of the product.



4. Lift up on the green tab to open the paper guide, and remove any jammed paper that is under the guide.



5. Close the stapler/stacker door.

