



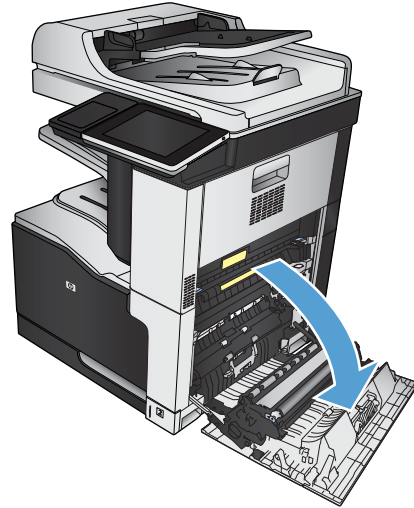
HP LaserJet Enterprise 700 color MFP M775



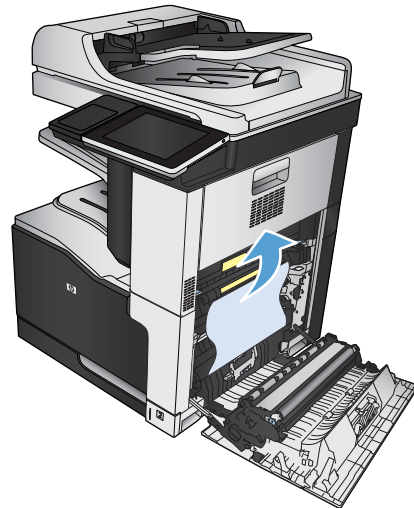
Clear jams in the right door

⚠ WARNING! The fuser can be hot while the product is in use.

1. Open the right door.

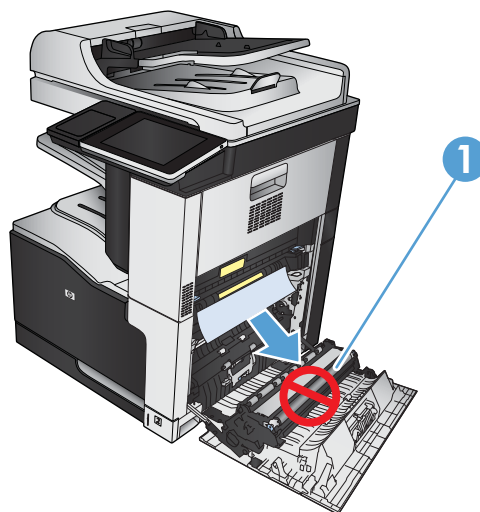


2. Gently pull the paper out of the pickup area.



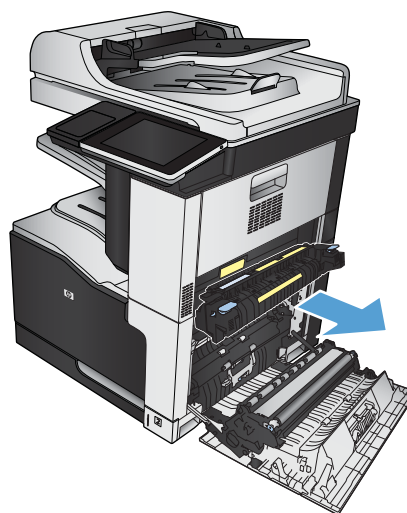
3. If paper is visible entering the bottom of the fuser, gently pull downward to remove it.

CAUTION: Do not touch the transfer roller (callout 1). Contaminants on the roller can affect print quality.

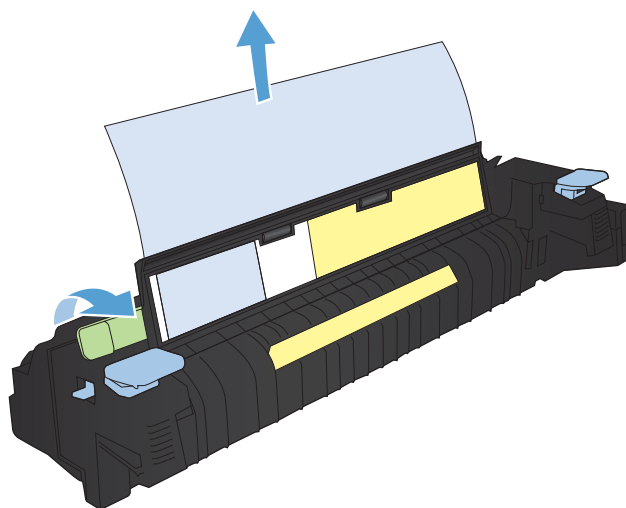


4. Paper could be jammed inside the fuser where it would not be visible. Grasp the blue handles on both sides of the fuser, and pull the fuser straight out of the product.

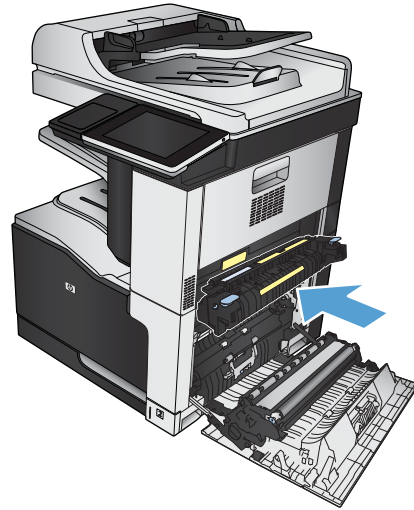
WARNING! Even if the body of the fuser has cooled, the rollers that are inside could still be hot. Do not touch the fuser rollers until they have cooled.



5. Pull forward on the green tab to open the fuser jam-access door. If paper is jammed inside the fuser, pull the paper straight up to remove it.



6. Align the fuser with the slots in the product, and push it straight in until it clicks into place.



7. Close the right door.

