

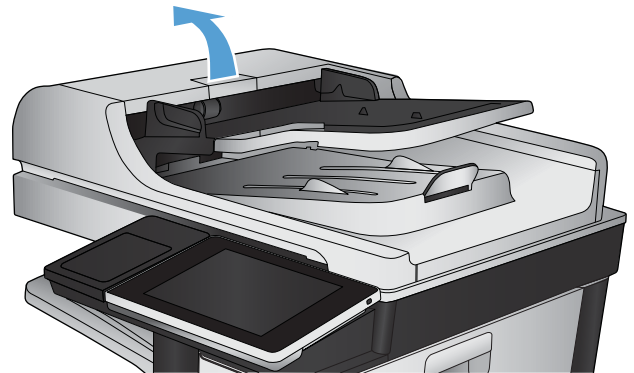


# HP LaserJet Enterprise 700 color MFP M775

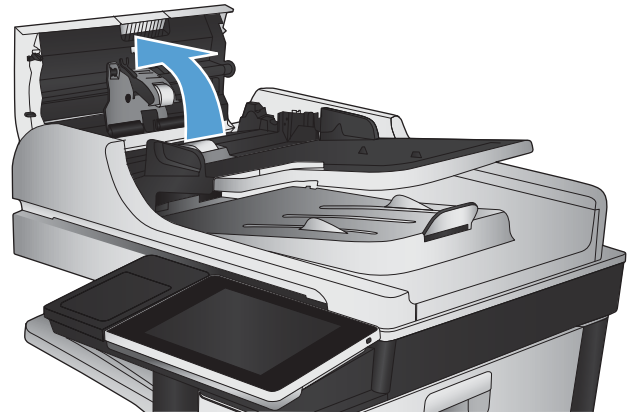


## Clear jams in the document feeder

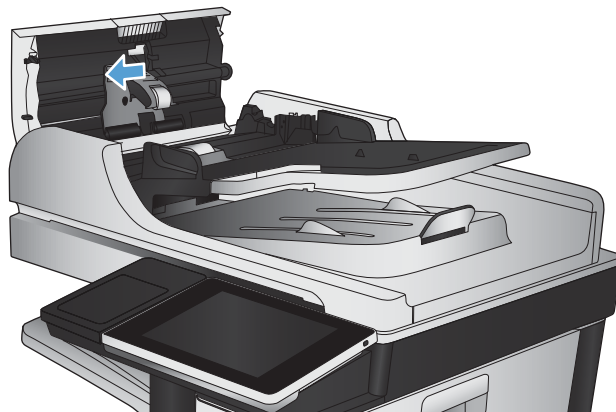
1. Lift the latch to release the document-feeder cover.



2. Open the document-feeder cover.

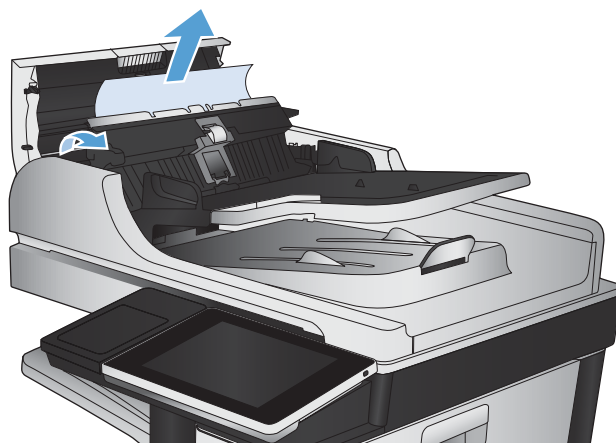


3. Press on the door next to the document-feeder rollers to make sure it is closed completely.

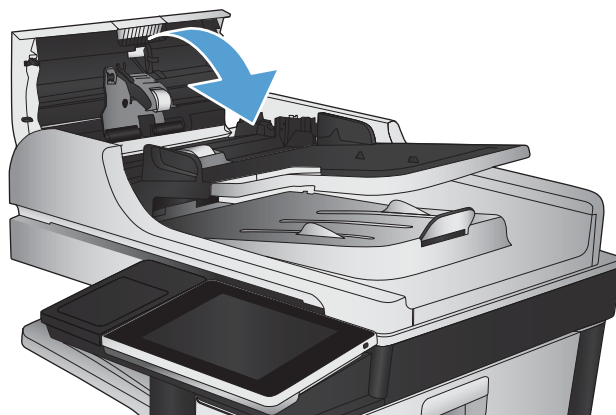



4. Lift the jam-access door, and remove any jammed paper.


To avoid damaging the original document if it is difficult to remove, rotate the green wheel at the front of the document feeder to move the paper in the reverse direction.



5. Close the document-feeder cover.



 **NOTE:** To avoid jams, make sure the guides in the document feeder input tray are adjusted tightly against the document. Remove all staples and paper clips from original documents.

 **NOTE:** Original documents that are printed on heavy, glossy paper can jam more frequently than originals that are printed on plain paper.

---