

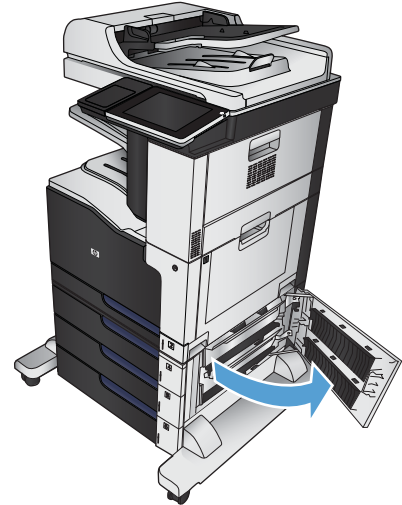


HP LaserJet Enterprise 700 color MFP M775

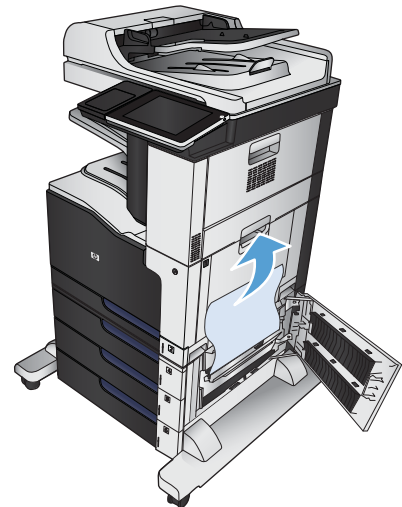


Clear jams in the 3 x 500-sheet feeder

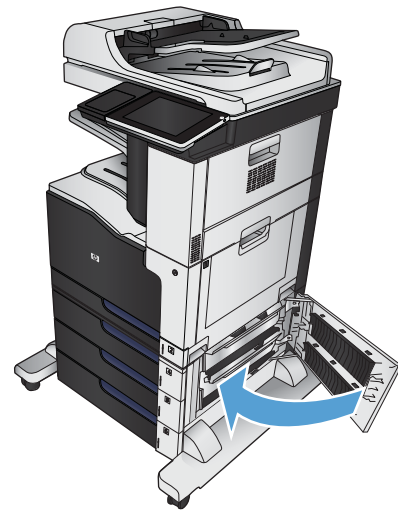
1. Open the 3 x 500-sheet feeder jam-access door.



2. If jammed paper is visible, remove it.

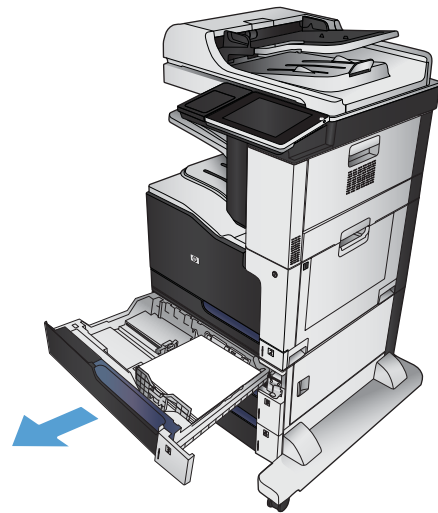


3. Close the 3 x 500-sheet feeder jam-access door.



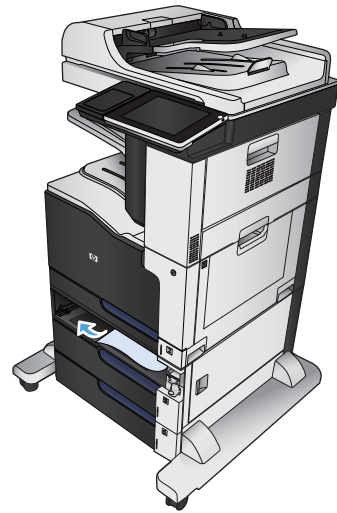
4. Remove the tray that has the jam.

NOTE: The message on the product control panel indicates which tray has the jam.



5. If the edge of the paper is visible in the feed area, slowly pull the paper down and out of the product.

NOTE: Do not force the paper if it will not move easily. If the paper is stuck in a tray, try removing it through the tray above (if applicable) or through the jam-access door.



6. Reinsert and close the tray.

