

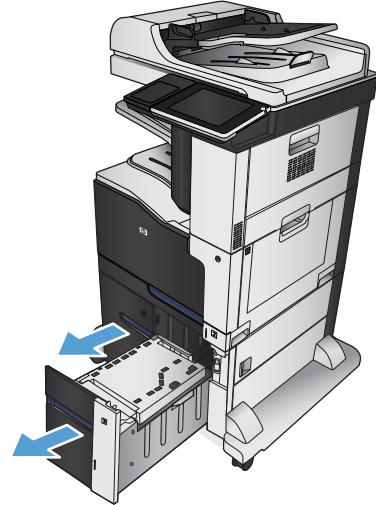


# HP LaserJet Enterprise 700 color MFP M775

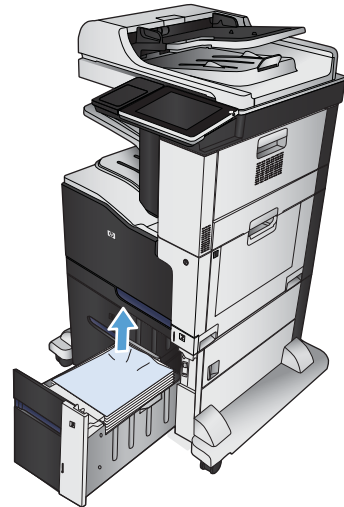


## Clear jams in the 3,500-sheet high-capacity tray

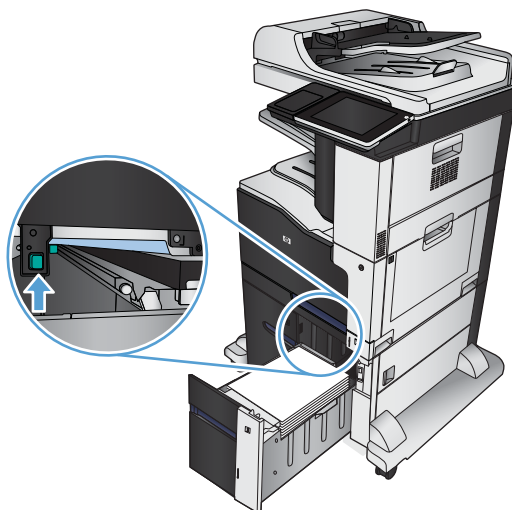
1. Open the right and left trays.



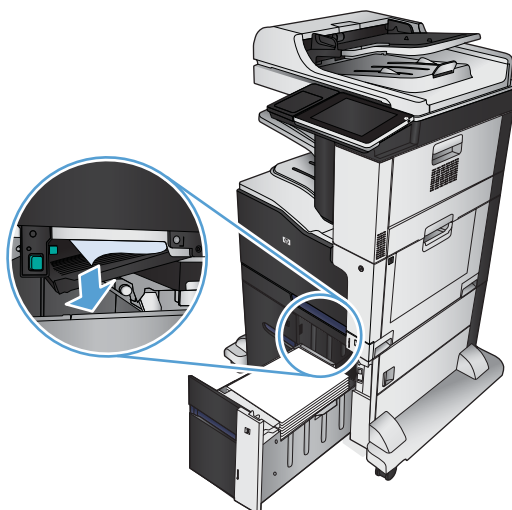
2. Remove any damaged sheets of paper.



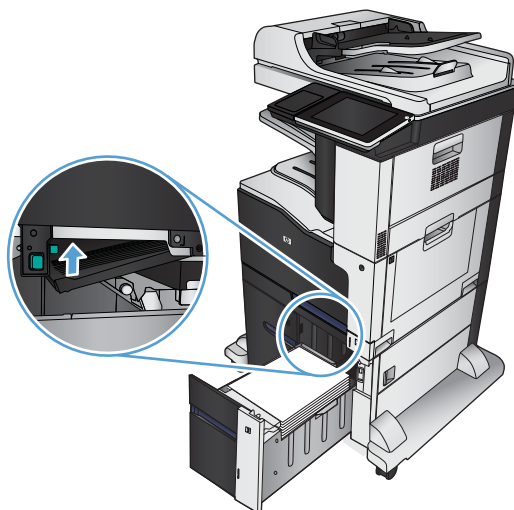
3. Above the right-side tray, press the green button to release the jam-access plate.



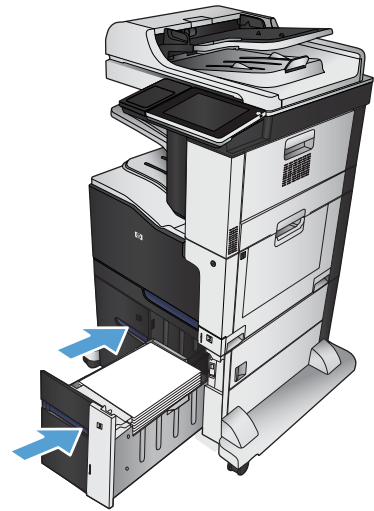
4. If jammed paper is in the feed area, pull it down to remove it.



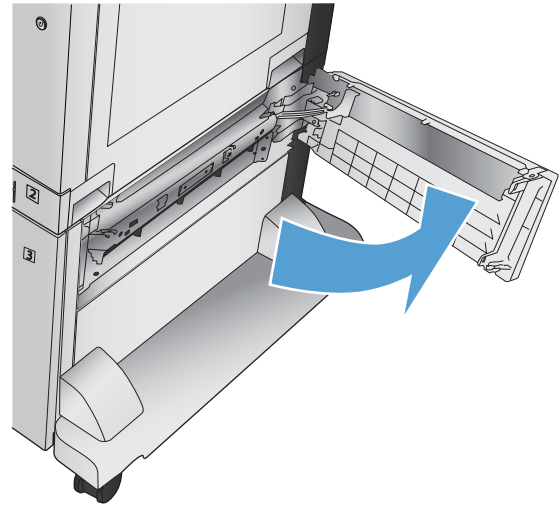
5. Push up on the jam-access plate to close it.



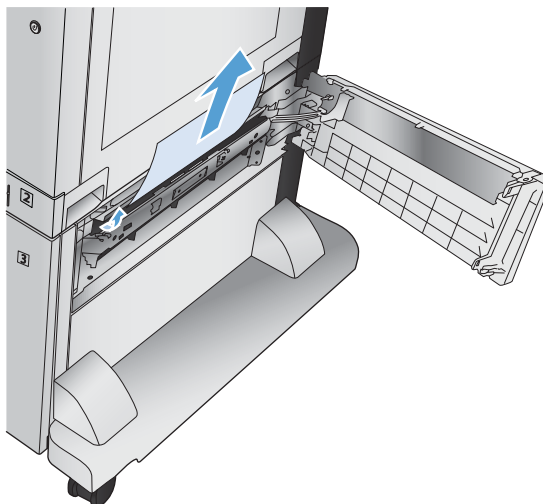
6. Close the right and left trays.



7. Open the jam-access door on the right side of the high-capacity tray cabinet.



8. Lift up the jam-release plate and remove any jammed paper.



9. Close the jam-access door on the right side of the high-capacity tray cabinet.

