



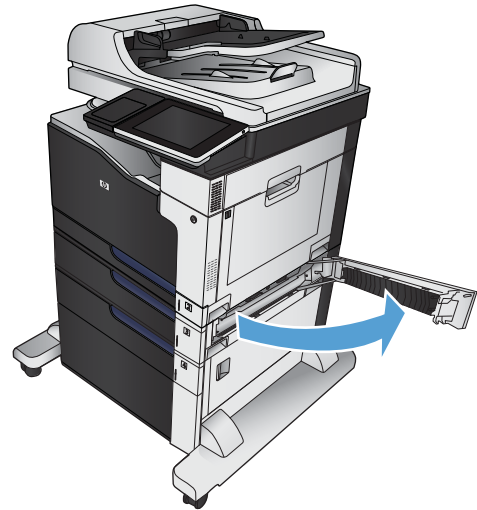
# HP LaserJet Enterprise 700 color MFP M775



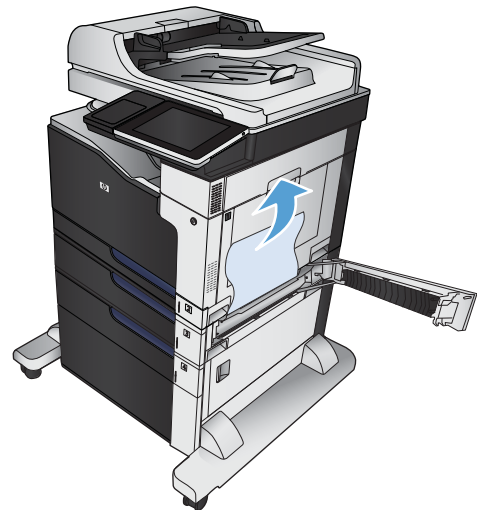
## Clear jams in the 1 x 500-sheet feeder or the 1 x 500-sheet feeder with cabinet

1. Open the jam-access door.

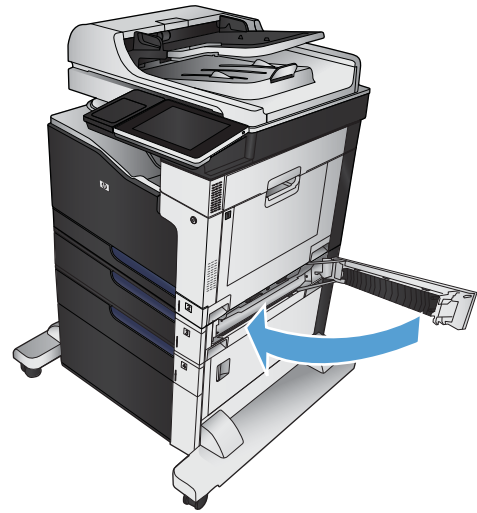
**NOTE:** The 1 x 500-sheet feeder and the 1 x 500-sheet feeder with cabinet each have separate jam-access doors. Open the door that corresponds with the tray that has the jam. The message on the product control panel indicates which tray has the jam.



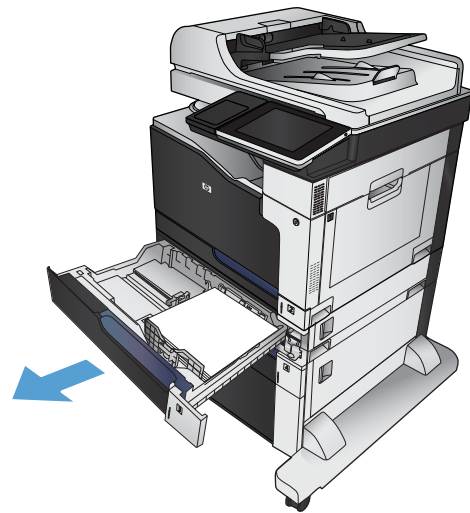
2. If jammed paper is visible, remove it.



3. Close the jam-access door.



4. Remove the 500-sheet tray.



5. If the edge of the paper is visible in the feed area, slowly pull the paper down and out of the product.

**NOTE:** Do not force the paper if it will not move easily. If the paper is stuck in a tray, try removing it through the jam-access door.



6. Reinsert and close the tray.

