

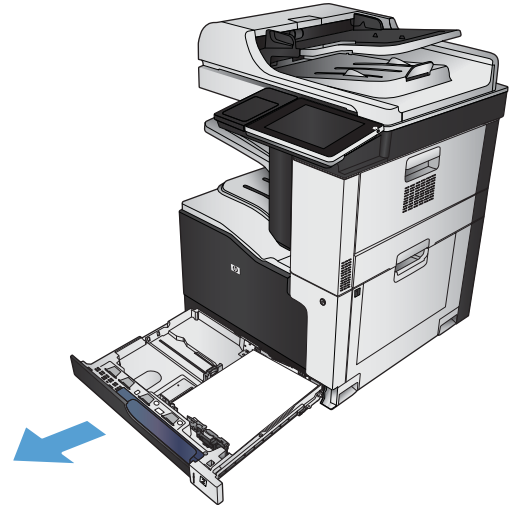


HP LaserJet Enterprise 700 color MFP M775

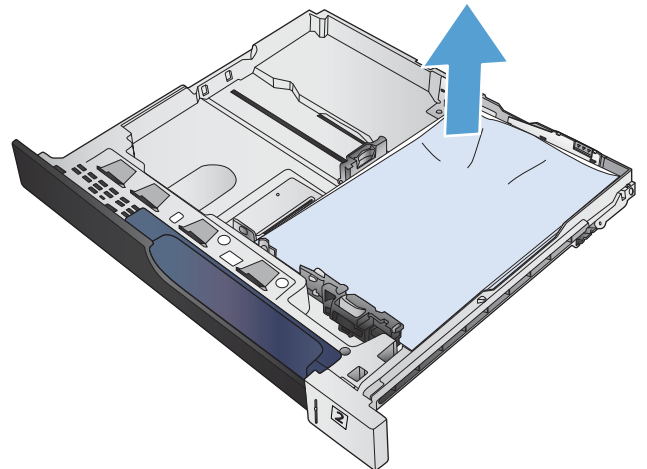


Clear jams in Tray 2

1. Remove the tray.



2. Remove any jammed or damaged sheets of paper.



3. Look inside the product, and remove any jammed paper from the paper-feed area.



4. Reinsert and close the tray.

