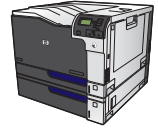





HP LaserJet Enterprise M750 Series Printer

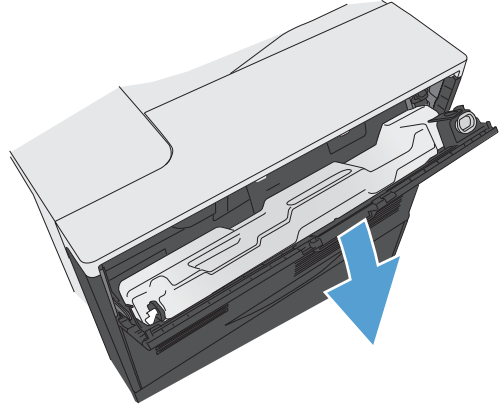


Replace the toner collection unit

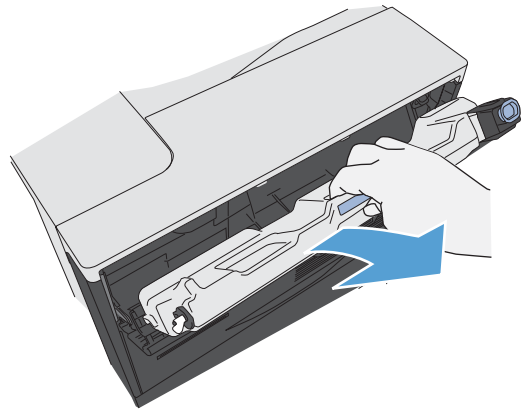
Replace the toner collection unit when the control panel prompts you.

 **NOTE:** The toner collection unit is designed for a single use. Do not attempt to empty the toner collection unit and reuse it. Doing so could lead to toner being spilled inside the product, which could result in reduced print quality. After use, return the toner collection unit to HP's Planet Partners program for recycling.

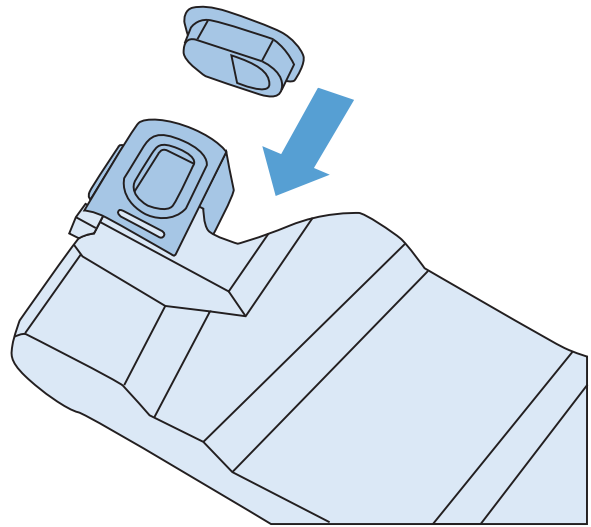
1. Open the rear door. Make sure that the door is completely open.



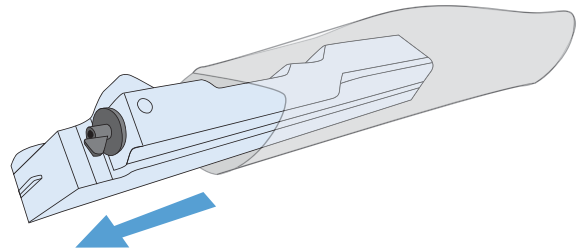
2. Grasp the top of the toner collection unit and remove it from the product.



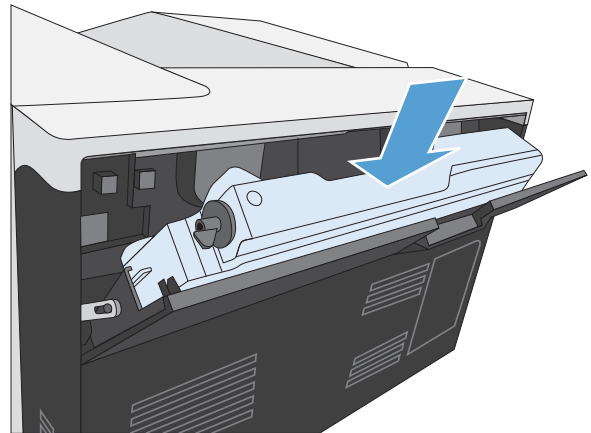
3. Place the attached cap over the opening at the top of the unit.



4. Remove the new toner collection unit from its packaging.



5. Insert the bottom of the new unit into the product first and then push the top of the unit until it clicks into place.



6. Close the rear door.

To recycle the used toner collection unit, follow the instructions included with the new toner collection unit.

