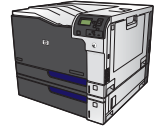


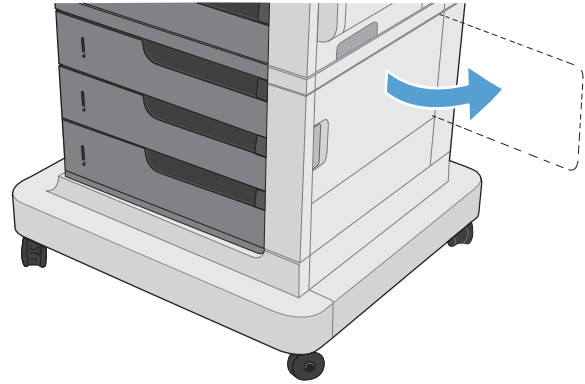


HP LaserJet Enterprise M750 Series Printer

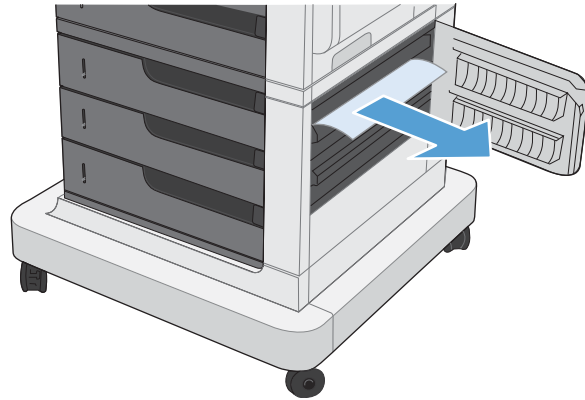


Clear jams in the lower right door

1. Open the lower right door.



2. If paper is visible, gently pull the jammed paper up or down to remove it.



3. Close the lower right door.

