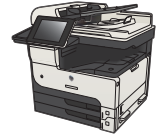




HP LaserJet Enterprise MFP M725



Use easy-access USB printing

This product features easy-access USB printing, so you can quickly print files without sending them from a computer. The product accepts standard USB flash drives in the USB port on the front of the product. You can print the following types of files:

- .pdf
- .prn
- .pcl
- .ps
- .cht

Before you can use this feature, you must enable the USB port. Use the following procedure to enable the port from the product control-panel menus:

1. From the Home screen on the product control panel, scroll to and touch the [Administration](#) button.
2. Open the following menus:
 - [General Settings](#)
 - [Enable Retrieve from USB](#)
3. Select the [Enable](#) option, and then touch the [Save](#) button.

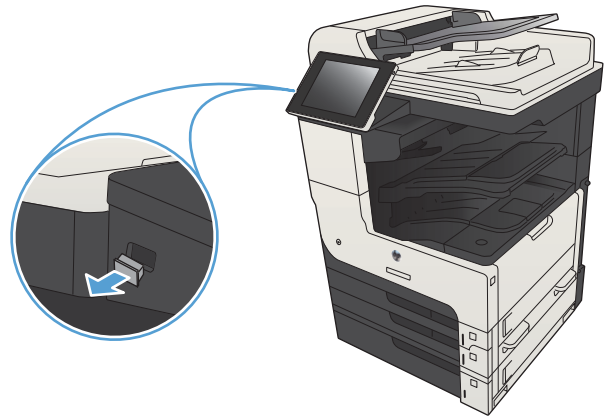
If you have connected the product directly to a computer, configure the following setting so the product wakes from Sleep mode whenever you insert a USB flash drive.

1. From the Home screen on the product control panel, scroll to and touch the [Administration](#) button.
2. Open the following menus:
 - [General Settings](#)
 - [Energy Settings](#)
 - [Sleep Timer Settings](#)
3. In the [Wake/Auto On to These Events](#) list, select the [All events](#) option, and then touch the [Save](#) button.

Print easy-access USB documents


1. Insert the USB flash drive into the USB port on the left side of the product control panel.

NOTE: You might need to remove the cover from the USB port. Pull the cover straight out to remove it.



2. The product detects the USB flash drive. Touch the **OK** button to access the drive, or, if prompted, select the **Retrieve from USB** option from the list of available applications. The **Retrieve from USB** screen opens.
3. Select the name of the document that you want to print.

NOTE: The document might be in a folder. Open folders as necessary.

4. To adjust the number of copies, touch the **Copies** field, and then use the keypad to select the number of copies.
5. Touch the Start  button to print the document.