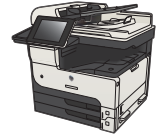


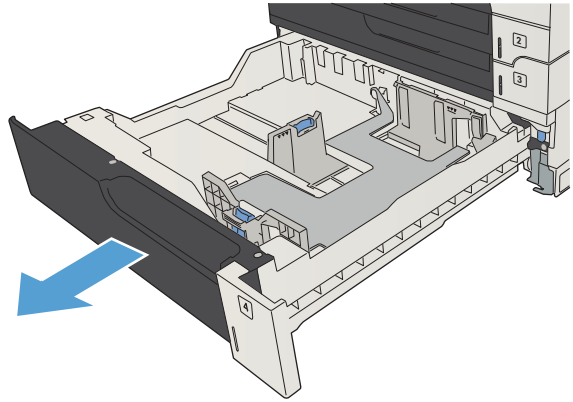


HP LaserJet Enterprise MFP M725

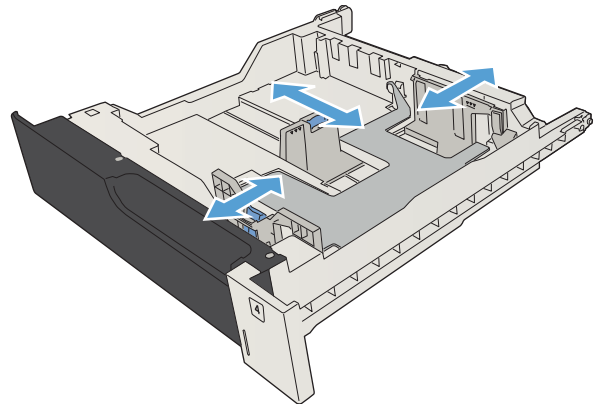


Load the 500-sheet trays

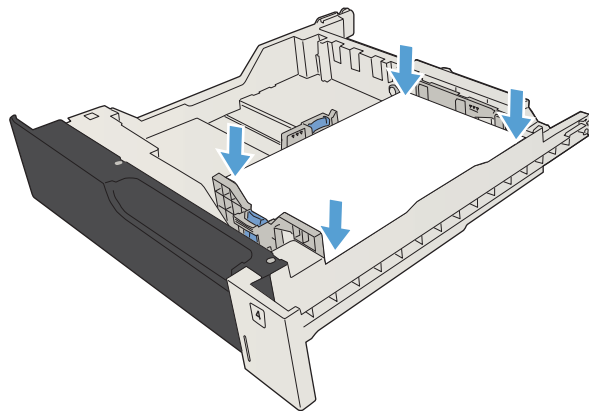
1. Open the tray.



2. Adjust the paper-size guides to the correct paper size.



3. Load the paper into the tray. Make sure that the stack is flat at all four corners and that the top of the stack is below the maximum-height indicators.



4. Close the tray.

