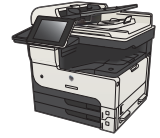




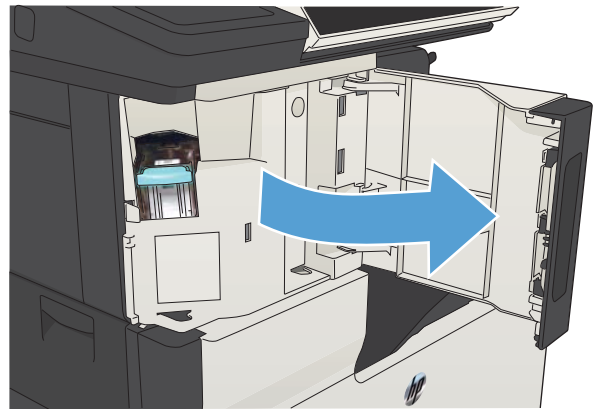
HP LaserJet Enterprise MFP M725



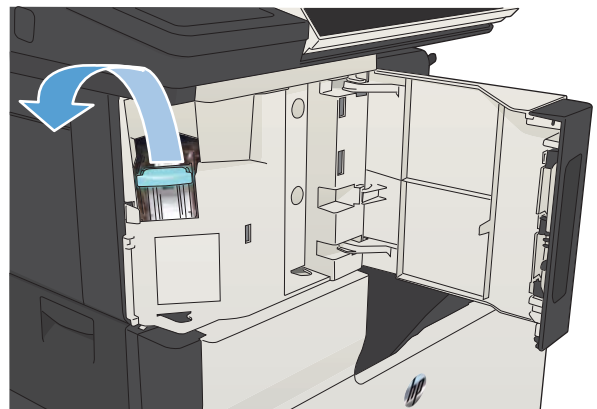
Clear staple jams

To reduce the risk of staple jams, make sure that you staple 30 or fewer pages of paper (80 g/m² (20 lb) at a time.

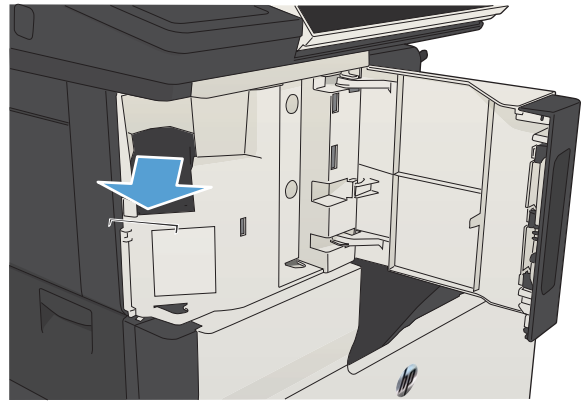
1. Open the stapler door.



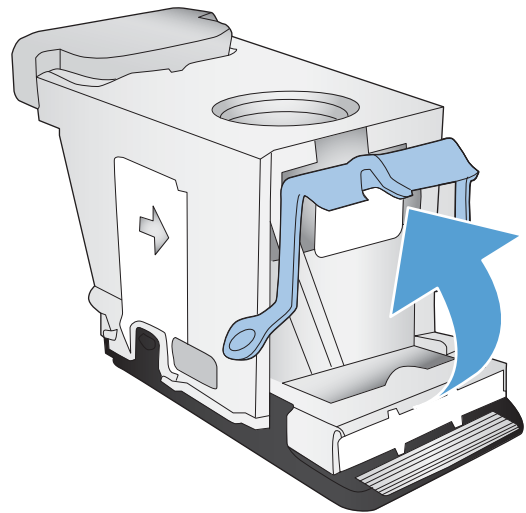
2. Remove the staple cartridge.



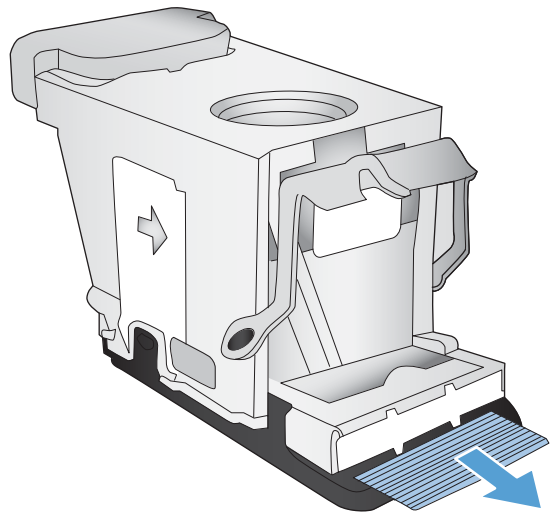
3. Remove any loose staples from the product.



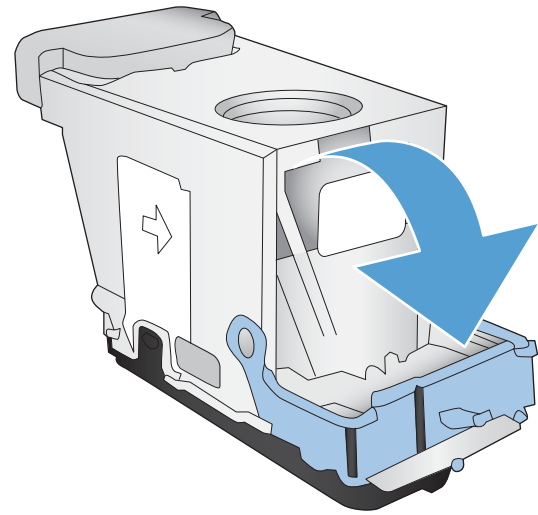
4. Lift up the lever on the front of the staple cartridge.



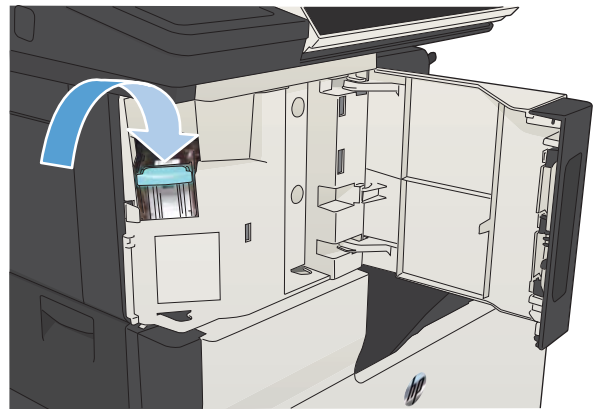
5. Remove the sheet of staples from the stapler.



6. Push down the lever on the front of the staple cartridge.



7. Insert the staple cartridge.



8. Close the stapler door.

