



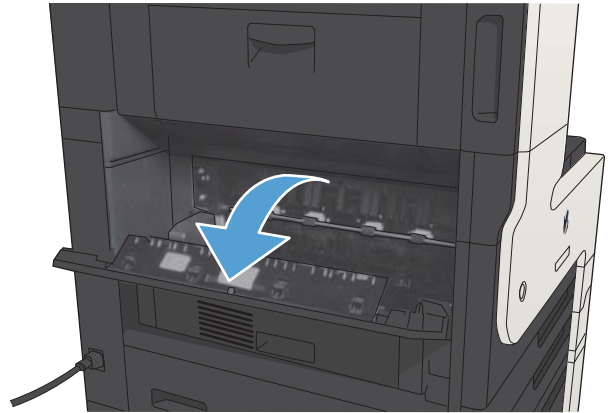
HP LaserJet Enterprise MFP M725



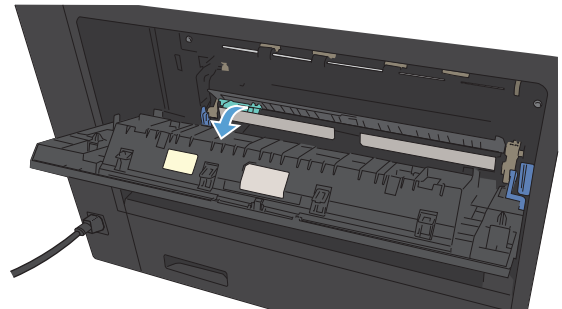
Clear jams in the fuser

1. Open the fuser door on the left side of the product.

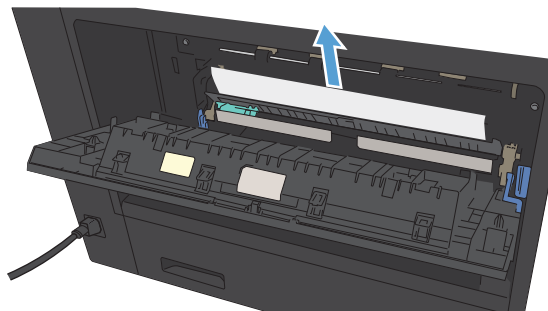
CAUTION: The fuser can be hot while the product is in use.



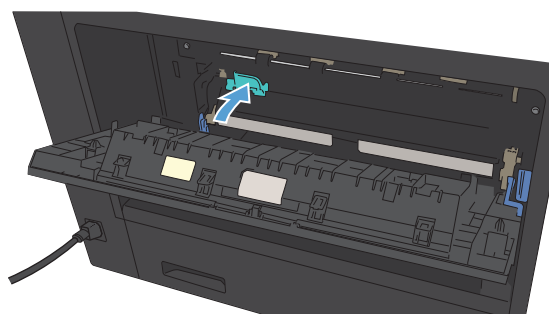
2. Push down on the green tab to open the fuser jam-access cover.



3. Remove any paper from the fuser.



4. Close the fuser jam-access cover.



5. Close the fuser door.

