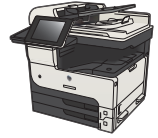


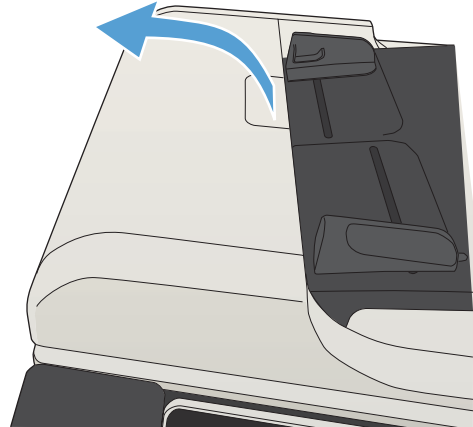


HP LaserJet Enterprise MFP M725

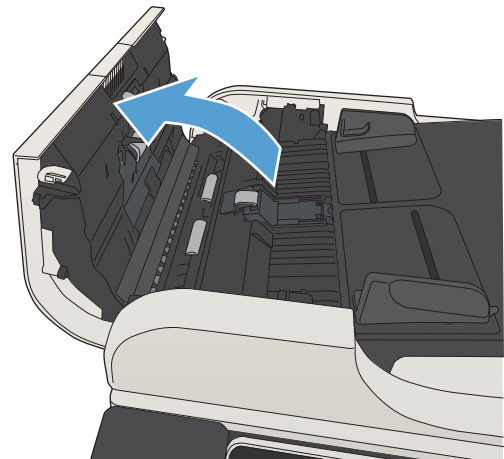


Clear jams in the document feeder

1. Lift the latch to release the document-feeder cover.



2. Open the document-feeder cover.



3. Lift the jam-access door, and remove any jammed paper.

If necessary, rotate the green wheel at the front of the document feeder to remove jammed paper.



4. Close the document-feeder cover.

