

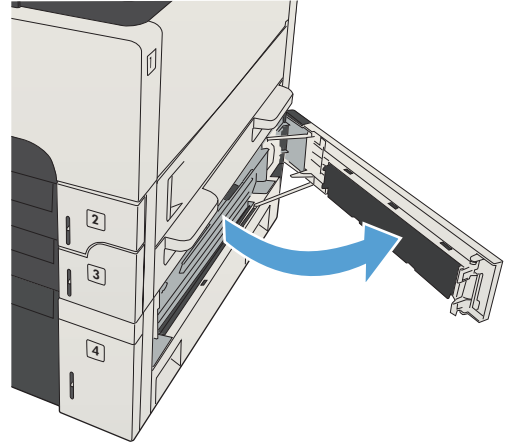


HP LaserJet Enterprise MFP M725

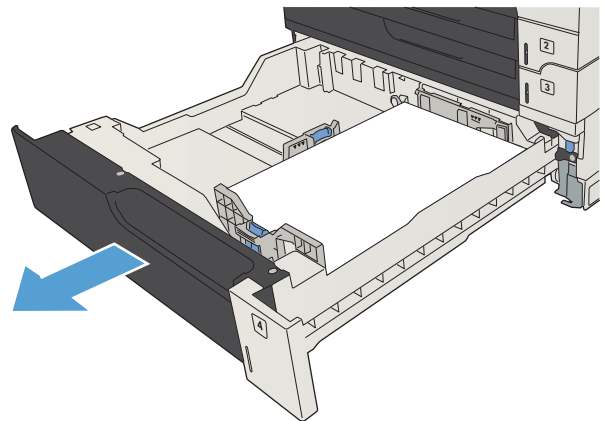


Clear jams in the 500-sheet trays

1. Open the right-side access door and the 500-sheet tray jam-access door.

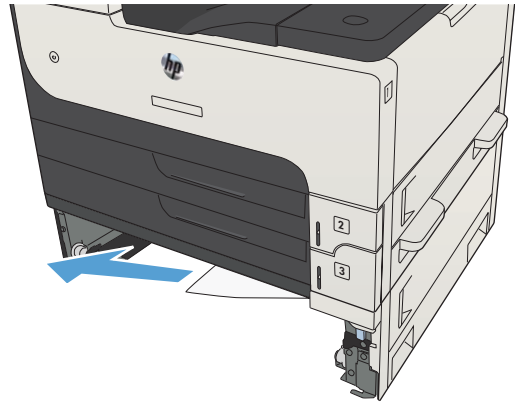


2. Remove the 500-sheet tray.

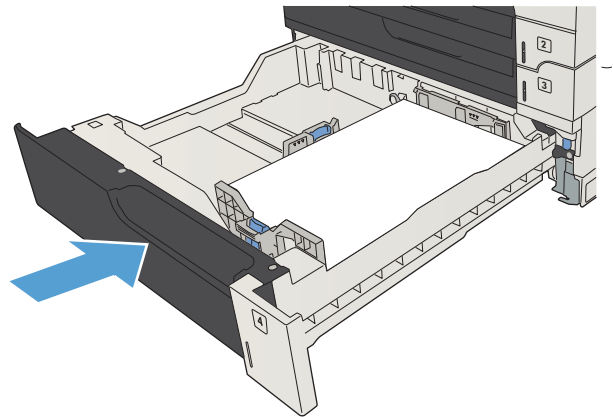


3. If the edge of the paper is visible in the feed area, slowly pull the paper toward the right side and out of the product.

NOTE: Do not force the paper if it will not move easily. If the paper is stuck in a tray, try removing it through the tray above (if applicable) or through the upper, right door.



4. Close the 500-sheet tray.



5. Close the right-side access door and the 500-sheet tray jam-access door.

