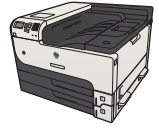


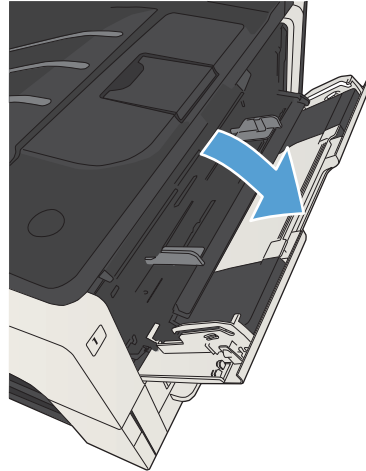


HP LaserJet Enterprise 700 M712

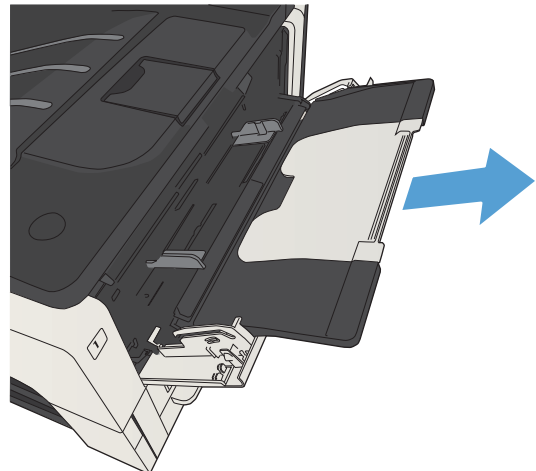


Load Tray 1

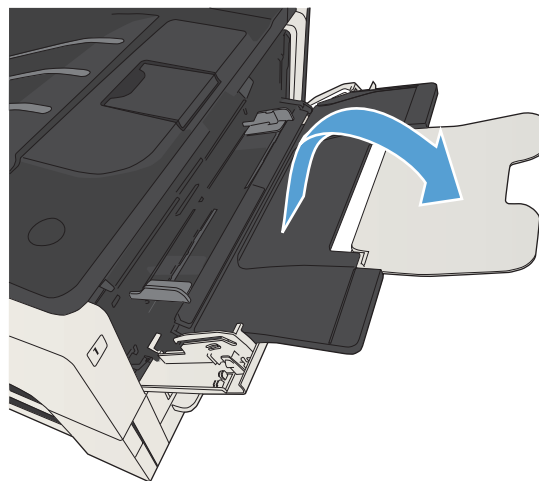
1. Open Tray 1.



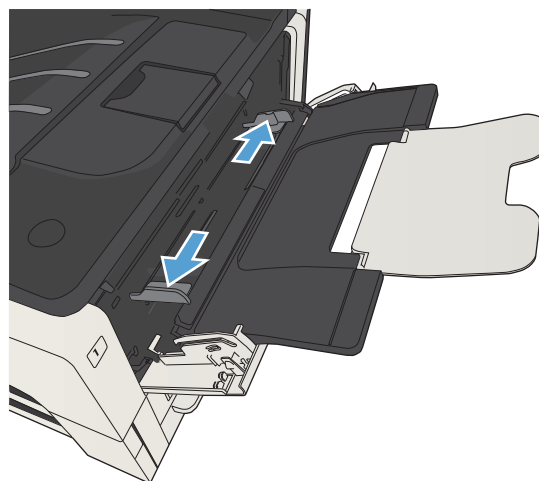
2. Pull out the paper support.



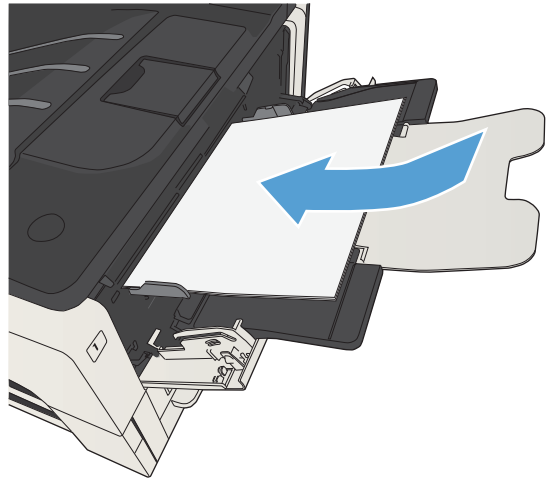
3. For paper larger than Letter or A4 size, fold out the extension.



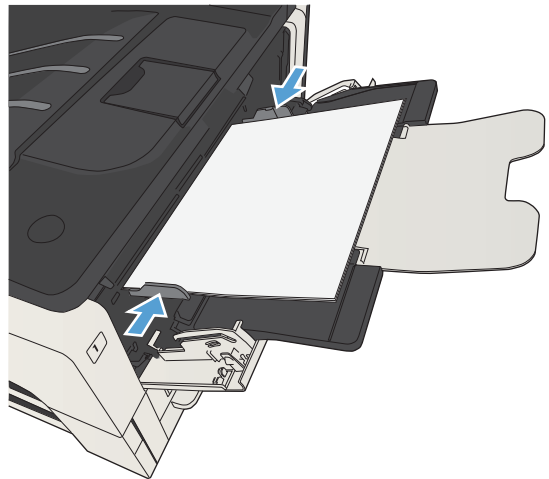
4. Slide the paper-width guides wider than the paper.



5. Load the paper into the tray. Make sure that the paper fits under the tabs and below the maximum-height indicators.

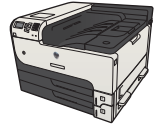


6. Adjust the paper-width guides so that they lightly touch the paper stack but do not bend the paper.



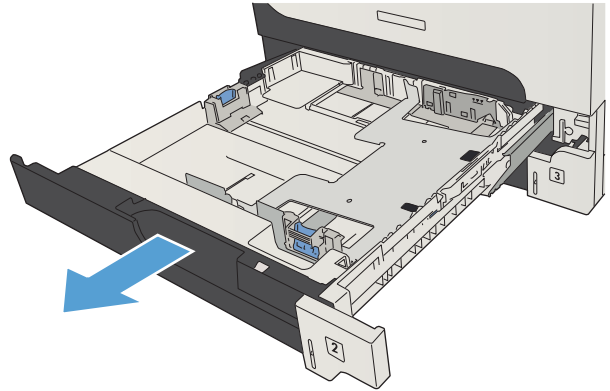


HP LaserJet Enterprise 700 M712

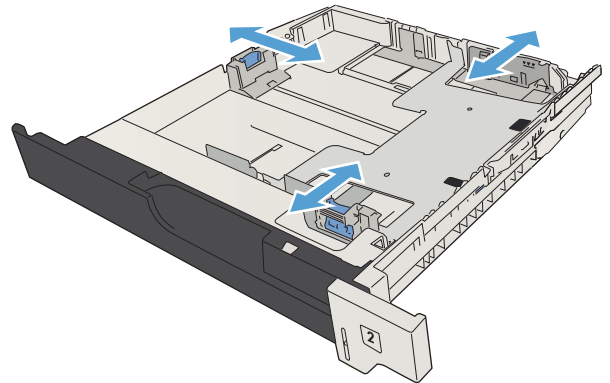


Load Tray 2 and Tray 3

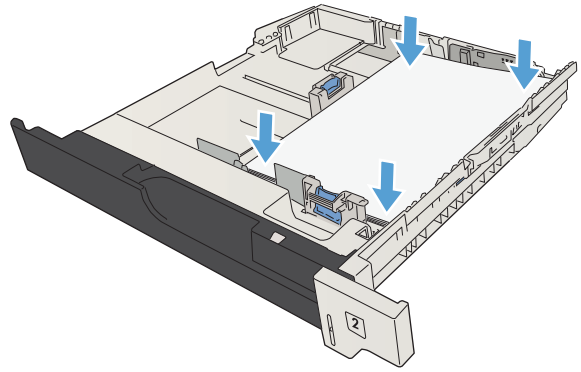
1. Open the tray.



2. Adjust the paper-guides to the correct paper size.



3. Load the paper into the tray. Make sure that the stack is flat at all four corners and that the top of the stack is below the maximum-height indicators.



4. Close the tray.

