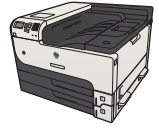


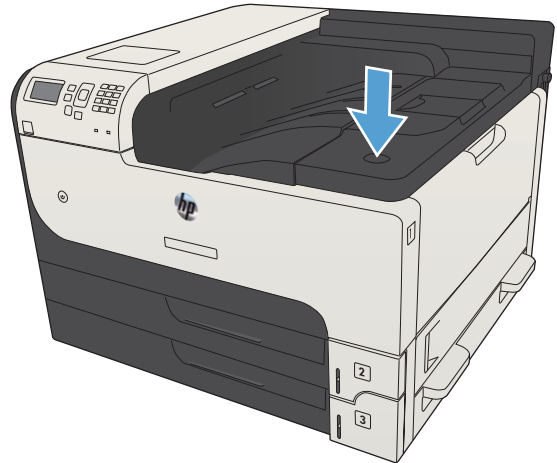


HP LaserJet Enterprise 700 M712

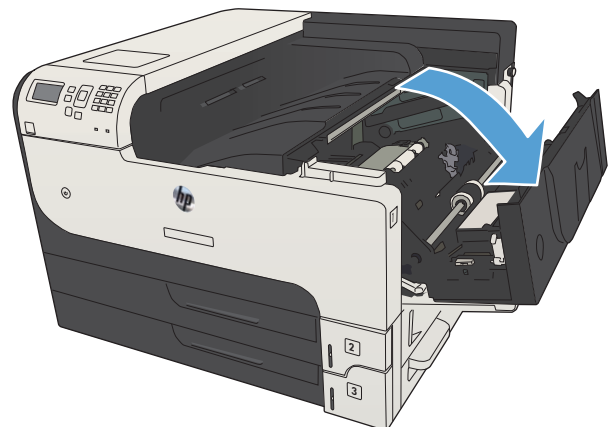


Clear jams from the toner-cartridge area

1. Press the cartridge-door-release button.

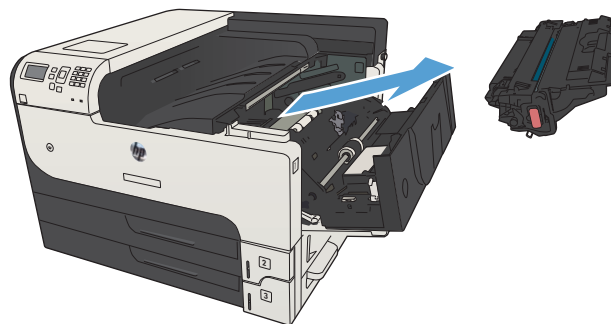


2. Open the cartridge door.

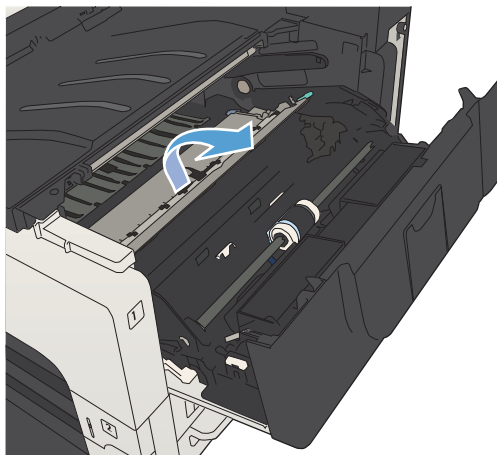


3. Remove the toner cartridge.

CAUTION: To prevent damage to the toner cartridge, do not expose it to light for more than a few minutes.

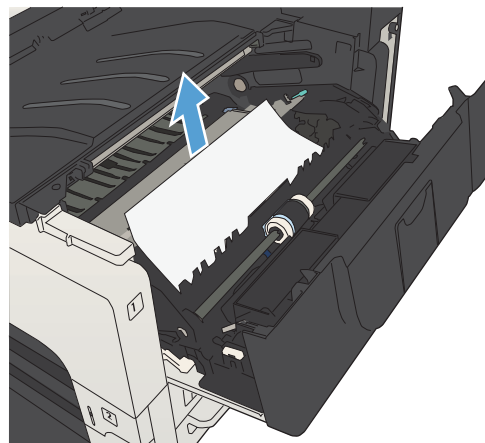


4. Pull the green tab down to open the metal plate inside the product.

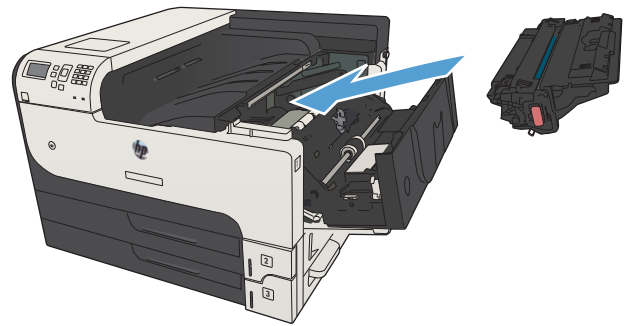


5. Slowly pull the paper out of the product. Be careful to not tear the paper.

CAUTION: Avoid spilling loose toner. Use a dry, lint-free cloth to clean any toner that might have fallen into the product. If loose toner falls into the product, it might cause temporary problems with print quality. Loose toner should clear from the paper path after a few pages are printed. If toner gets on your clothing, wipe it off with a dry cloth and wash clothing in cold water. (Hot water sets toner into fabric.)



6. Replace the toner cartridge.



7. Close the cartridge door.

