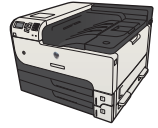


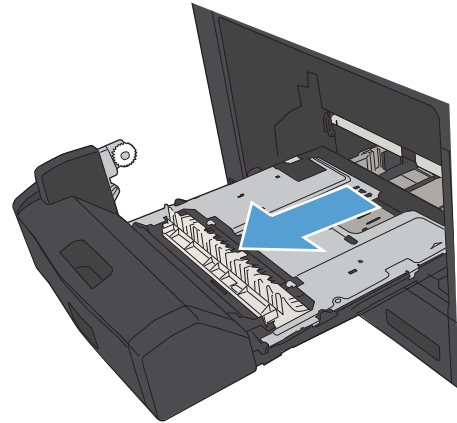


HP LaserJet Enterprise 700 M712

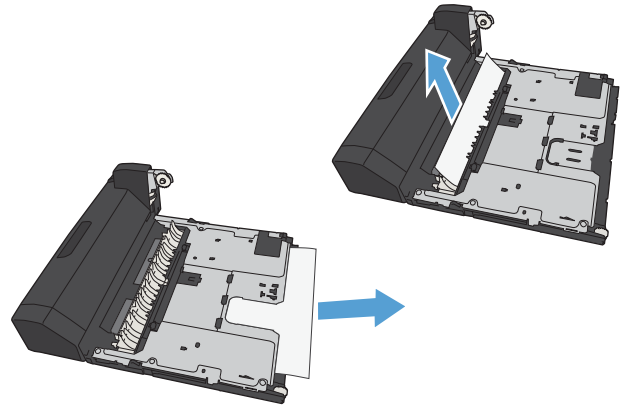


Clear jams from the duplexer

1. Remove the duplexer.



2. Remove any paper from the duplexer.



3. Reinstall the duplexer.

