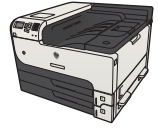


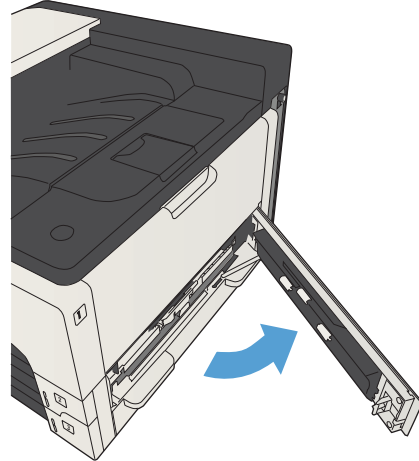


HP LaserJet Enterprise 700 M712

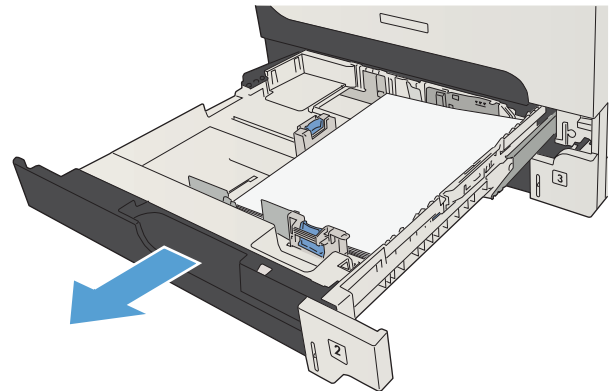


Clear jams in Tray 2 or Tray 3

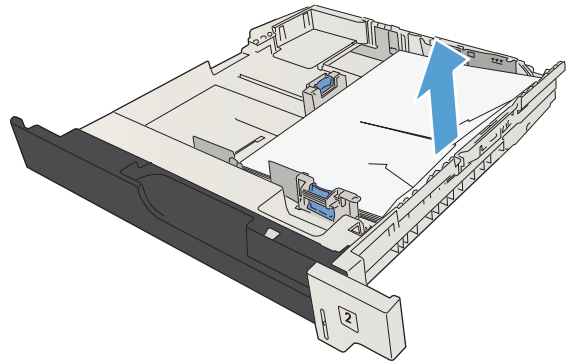
1. Open the right-side access door. If the jammed page is visible, gently pull it out of the product.



2. If you were not able to clear the jam by using the right-side access door, slide the tray out of the product.

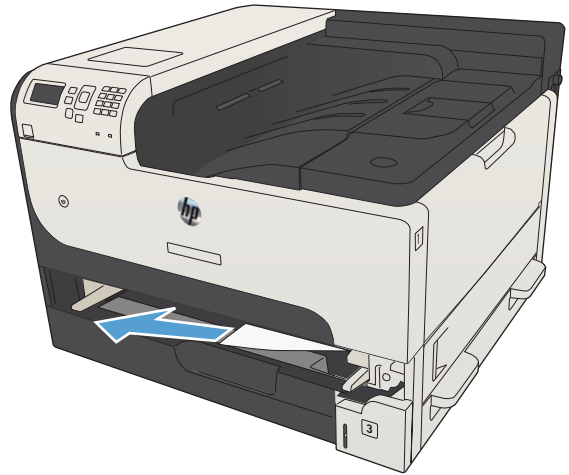


3. Remove any damaged paper from the tray.



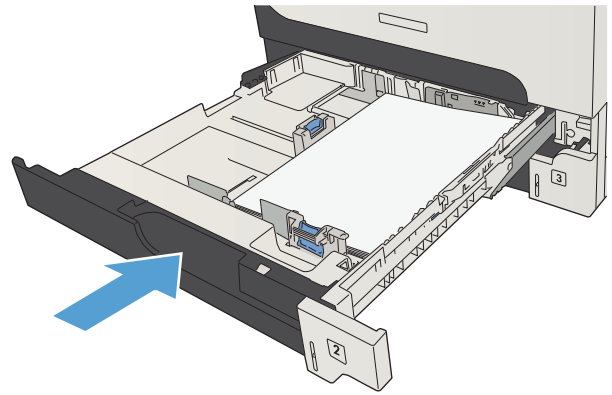
4. If the edge of the paper is visible in the feed area, slowly pull the paper toward the left side and then out of the product.

NOTE: Do not force the paper if it will not move easily. If the paper is stuck in a tray, try removing it through the tray above (if applicable) or through the toner-cartridge area.



5. Close the tray.

NOTE: Before replacing the tray, make sure the paper is flat in the tray at all four corners and below the tabs on the guides.



6. Close the right-side access door.

