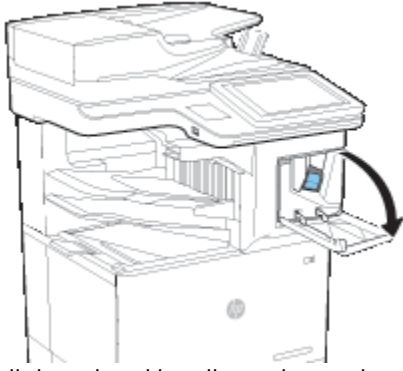


HP LaserJet Enterprise MFP M631, M632, M633 - Replace the staple cartridge

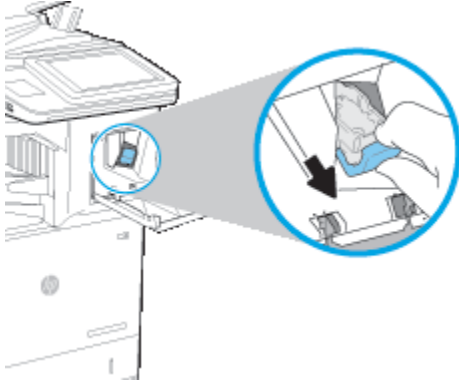
1. Open the stapler door.

Figure : Open the stapler door



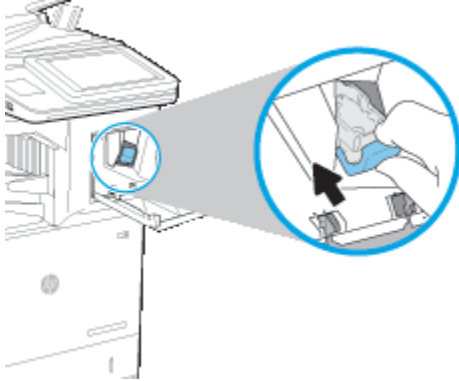
2. Pull the colored handle on the staple cartridge, and then pull the staple cartridge straight out.

Figure : Remove the staple cartridge



3. Insert the new staple cartridge into the stapler and push on the colored handle until it snaps into place.

Figure : Insert the staple cartridge



4. Close the stapler door.

Figure : Close the stapler door

