



HP LaserJet Enterprise flow MFP M525



Tray 1

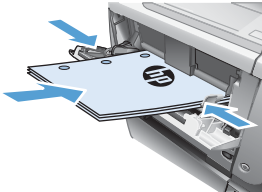
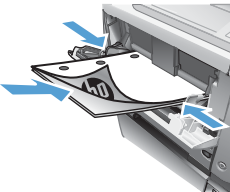
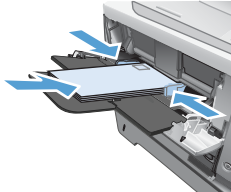
Tray capacity and paper orientation

To prevent jams, do not overfill trays. Be sure the top of the stack is below the tray-full indicator. For short/narrow and heavy/glossy paper, load paper to less than half of the tray full indicators.

Table 3-3 Tray 1 capacity

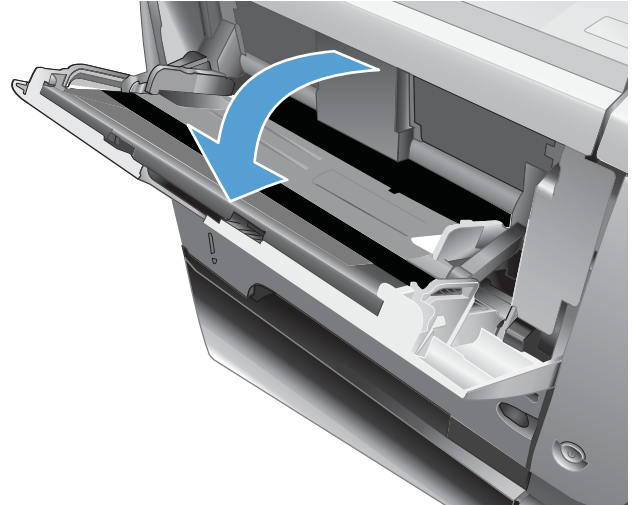
Paper type	Specifications	Quantity
Paper	Range: 60 g/m ² (16 lb) to 220 g/m ² (58 lb)	Maximum stack height: 12 mm (0.5 in) Equivalent to 100 sheets of 75 g/m ² (20 lb)
Envelopes	75 g/m ² (20 lb) to 90 g/m ² (24 lb)	Up to 10 envelopes
Labels	0.10 to 0.14 mm (0.004 to 0.006 in) thick	Maximum stack height: 12 mm (0.5 in)
Transparencies	0.10 to 0.14 mm (0.004 to 0.006 in) thick	Maximum stack height: 12 mm (0.5 in)

Table 3-4 Tray 1 paper orientation

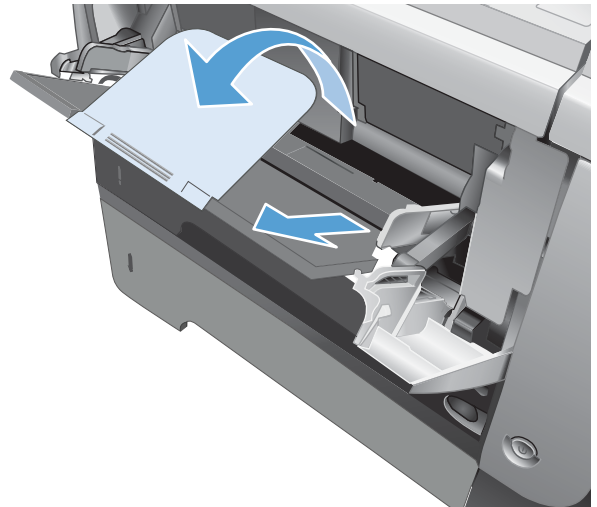
Single-sided printing	Automatic duplex printing and Alternative Letterhead Mode	Envelopes
Face-up	Face-down	Face-up
Top edge leading into the product	Bottom edge leading into the product	Short, postage end leading into the product
		

Load Tray 1

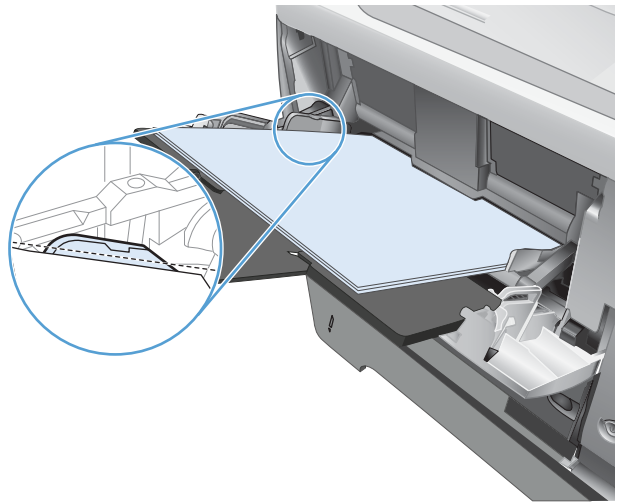
1. Open Tray 1.



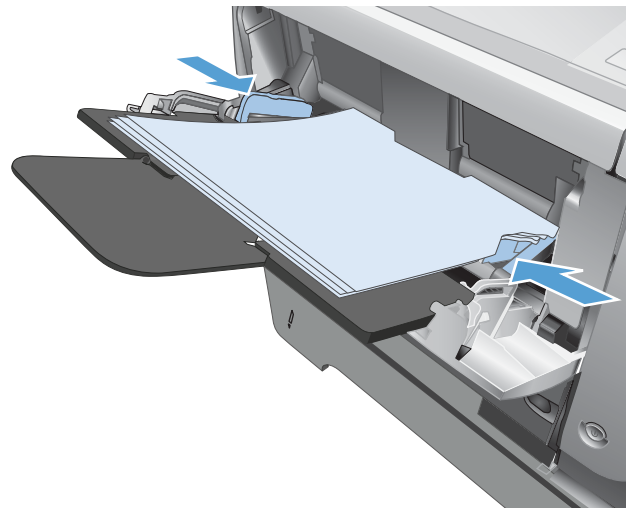
2. Pull out the paper support and flip open the extension.



3. Load the paper into the tray. Make sure that the paper fits under the tabs and below the maximum-height indicators.



4. Adjust the side guides so that they lightly touch the paper stack but do not bend the paper.





HP LaserJet Enterprise flow MFP M525



Tray 2 and the optional 500-sheet trays

Tray capacity and paper orientation

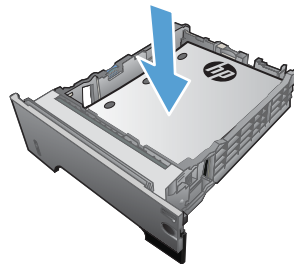
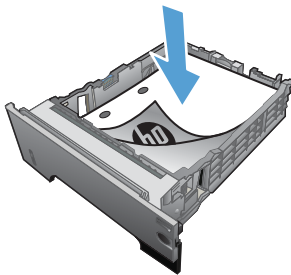
To prevent jams, do not overfill trays. Be sure the top of the stack is below the tray-full indicator. For short/narrow and heavy/glossy paper, load paper to less than half of the tray-full indicators.

Table 3-5 Tray 2 and the optional 500-sheet trays capacity

Paper type	Specifications	Quantity
Paper	Range: 60 g/m ² (16 lb) to 130 g/m ² (35 lb)	Equivalent to 500 sheets of 75 g/m ² (20 lb)

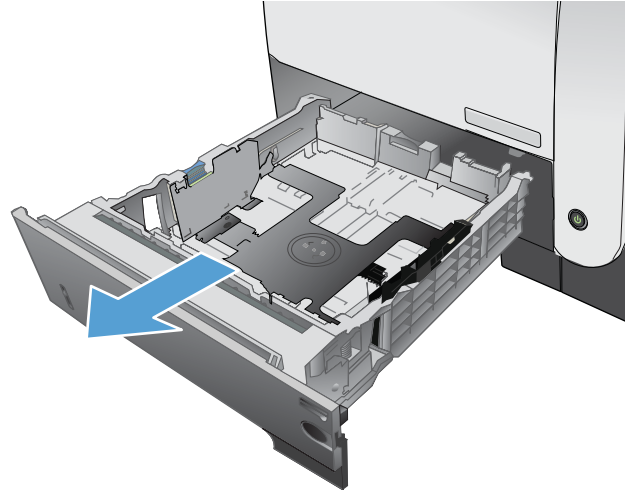
Table 3-6 Tray 2 and the optional 500-sheet trays paper orientation

Single-sided printing	Automatic duplex printing and Alternative Letterhead Mode	Envelopes
Face-down Top edge at the front of the tray	Face-up Bottom edge at the front of the tray	Print envelopes only from Tray 1.

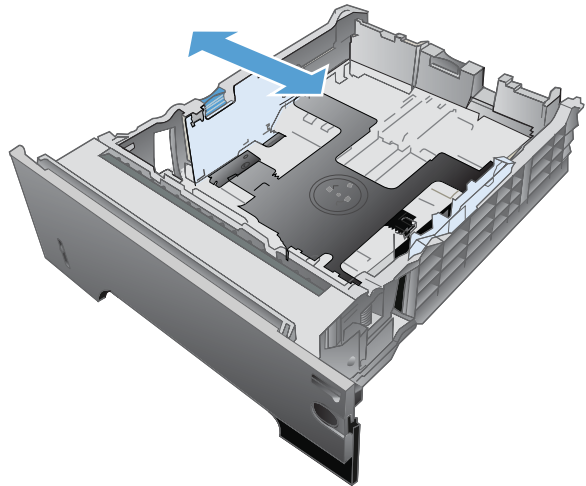


Load Tray 2 or the optional 500-sheet trays

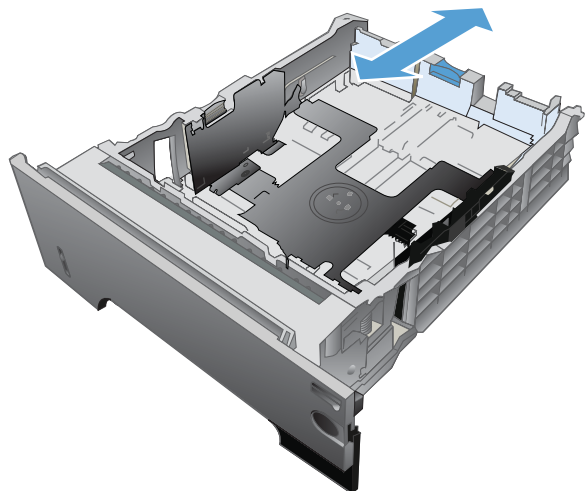
1. Pull the tray out and lift up slightly to remove it completely from the product.



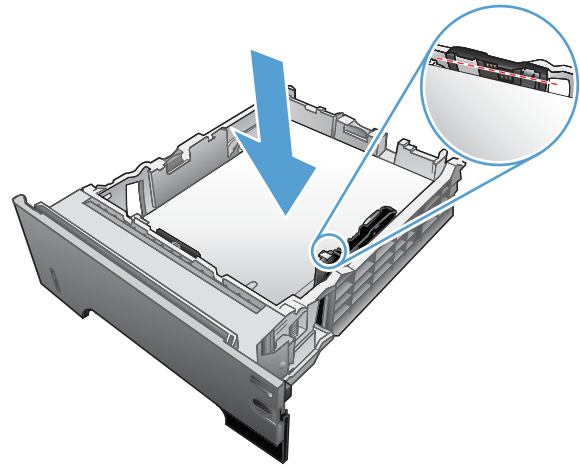
2. Pinch the release that is located on the left guide and slide the side guides to the correct paper size.



3. Pinch the release that is located on the rear paper guide and slide it to the correct paper size.



4. Load the paper into the tray. Make sure that the stack is flat at all four corners and that the top of the stack is below the maximum-height indicators.



5. Slide the tray completely into the product.

