



# HP LaserJet Enterprise flow MFP M525



## Replace the toner cartridge

**CAUTION:** If toner gets on clothing, wipe it off by using a dry cloth and wash the clothes in cold water. Hot water sets toner into fabric.

**NOTE:** Information about recycling used toner cartridges is on the toner-cartridge box.

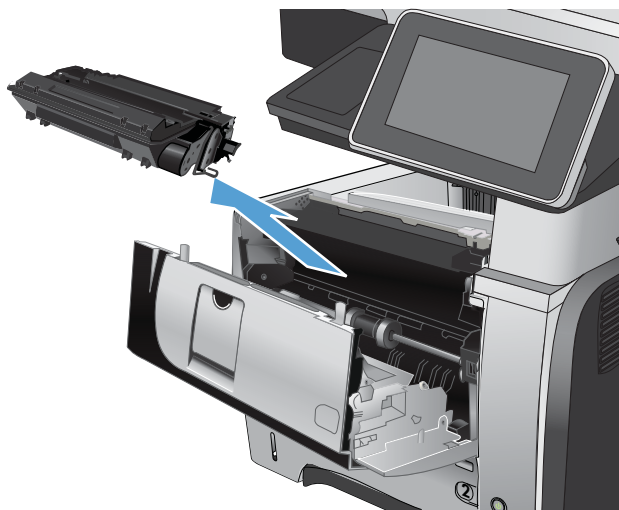
1. Press the front-door-release button.



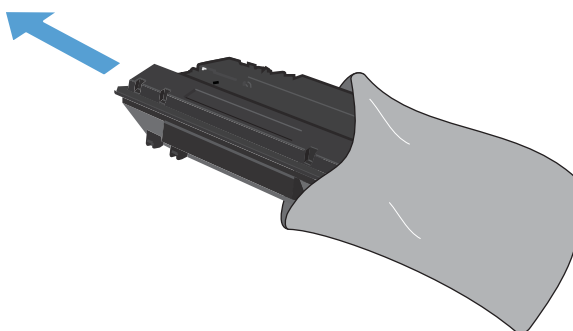
2. Open the front door.



3. Remove the used toner cartridge from the product.

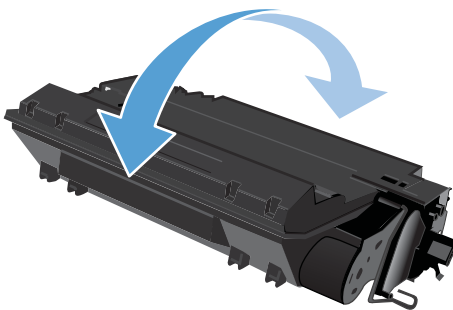


4. Remove the new toner cartridge from the bag. Place the used toner cartridge in the bag for recycling.

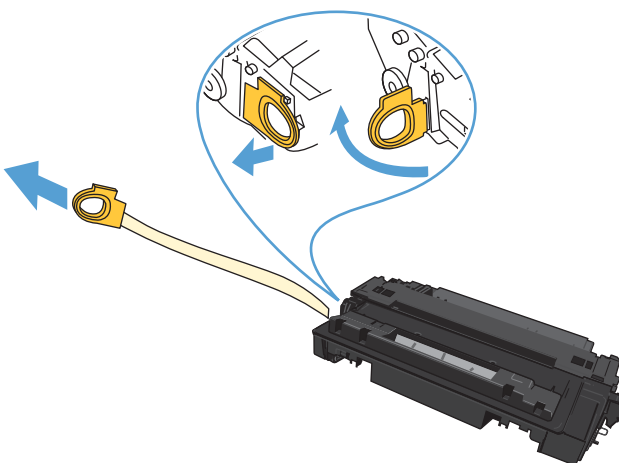


5. Grasp the front and back of the toner cartridge, and distribute the toner by gently rocking the toner cartridge five or six times.

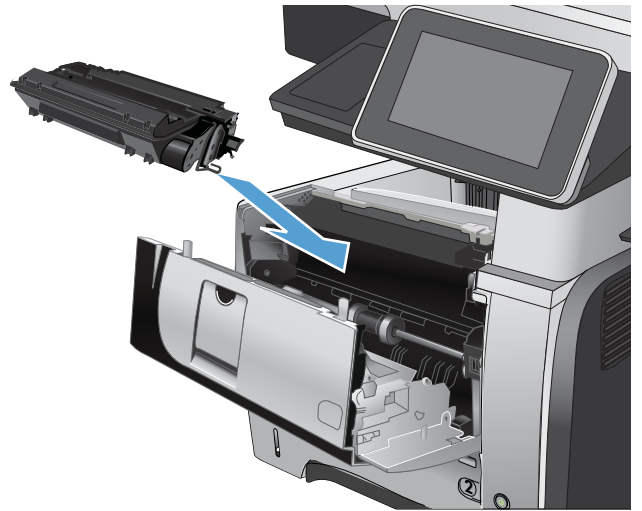
**CAUTION:** Do not touch the shutter or the surface of the roller.



6. Remove the shipping tape from the new toner cartridge. Recycle the tape with the used toner cartridge.



7. Align the toner cartridge with the tracks inside the product, and insert the toner cartridge until it is firmly seated.



8. Close the front cover. After a short time, the control panel should display the **Ready** message.

