



# HP LaserJet Enterprise flow MFP M525



## Staples

Item	Description	Part number
Staple cartridge	Pack of two staple cartridges. Each cartridge holds 1,500 unformed staples.	Q7432A

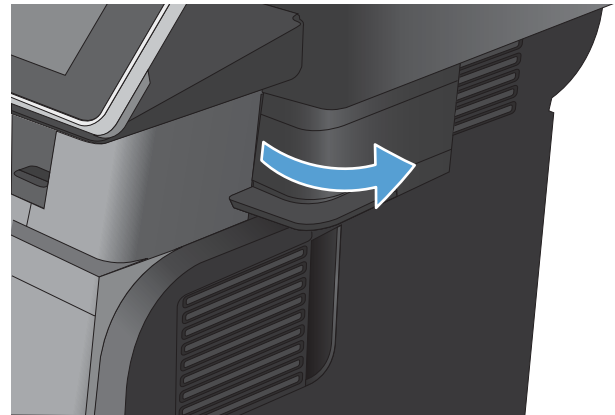
For more information, go to [www.hp.com/go/learnaboutsupplies](http://www.hp.com/go/learnaboutsupplies).

## Load staples

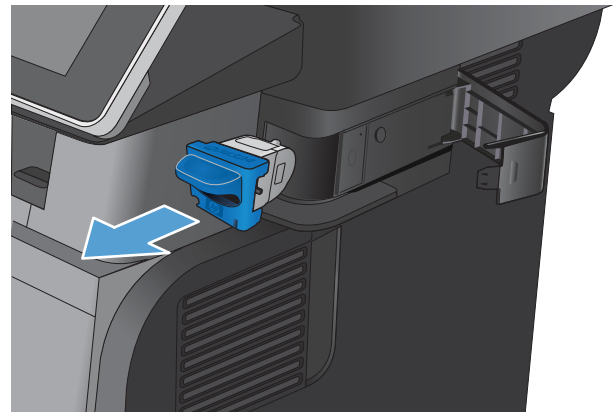
1. Open the stapler door.

**NOTE:** Opening the stapler door disables the stapler.

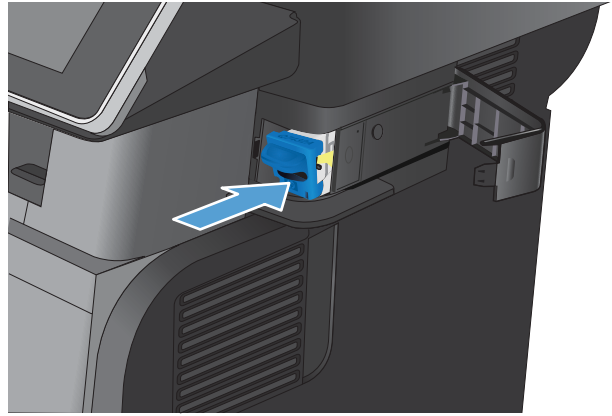
Instructions and replacement staples part numbers are listed on the stapler door.



2. If you are replacing a staple cartridge (for example, if the staple cartridge has run out of staples), remove the staple cartridge from the product.



3. Insert a new staple cartridge into the opening inside the stapler door.



4. Close the stapler door.

