



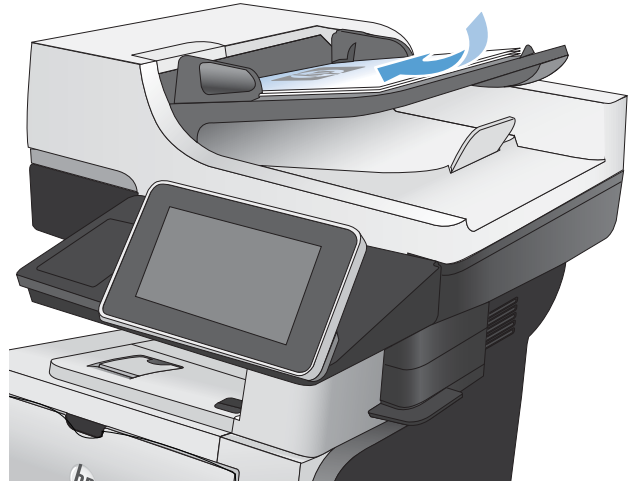
HP LaserJet Enterprise flow MFP M525



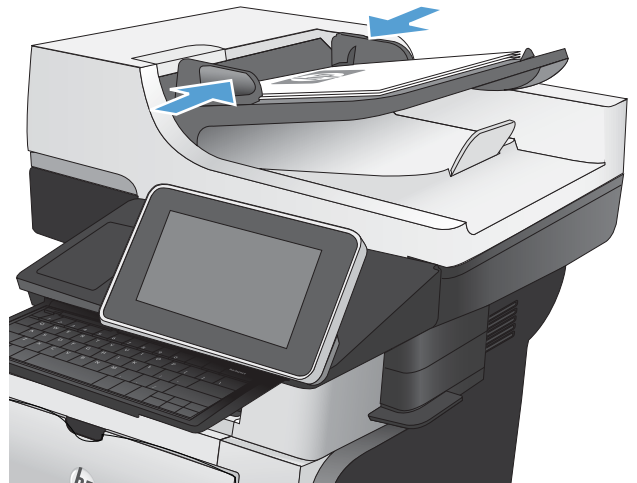
Copy on both sides (duplex)

Copy on both sides automatically

1. Load the original documents into the document feeder with the first page facing up, and with the top of the page leading.



2. Adjust the paper guides to fit the size of the document.




3. From the Home screen on the product control panel, touch the **Copy** button.
4. Touch the **Sides** button.

5. To make a two-sided copy from a one-sided original, touch the **1-sided original, 2-sided output** button.

To make a two-sided copy from a two-sided original, touch the **2-sided original, 2-sided output** button.

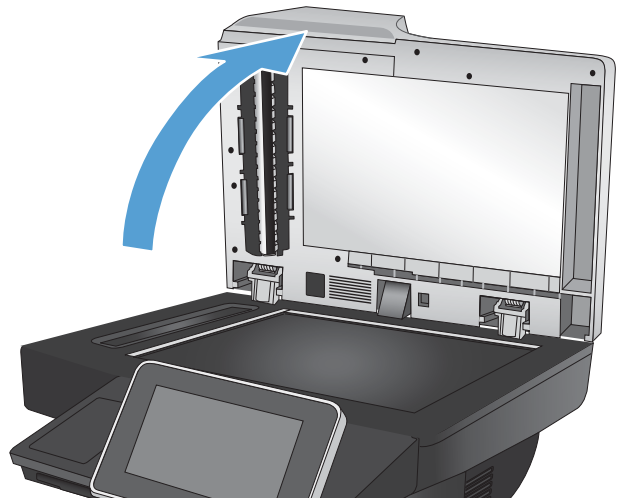
To make a one-sided copy from a two-sided original, touch the **2-sided original, 1-sided output** button.

Touch the **OK** button.

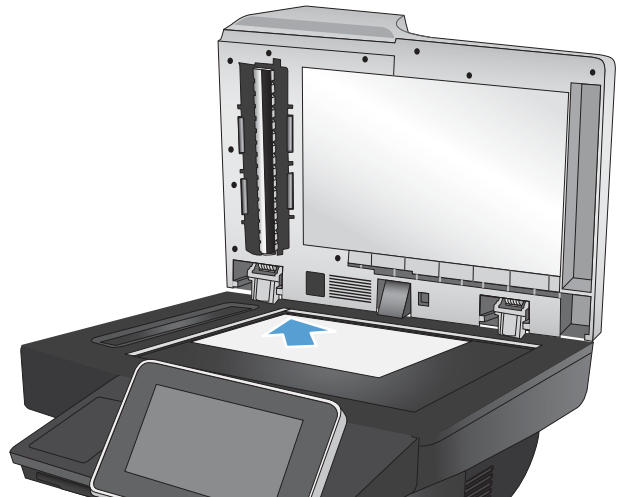
6. Touch the **Start**  button.

Copy on both sides manually

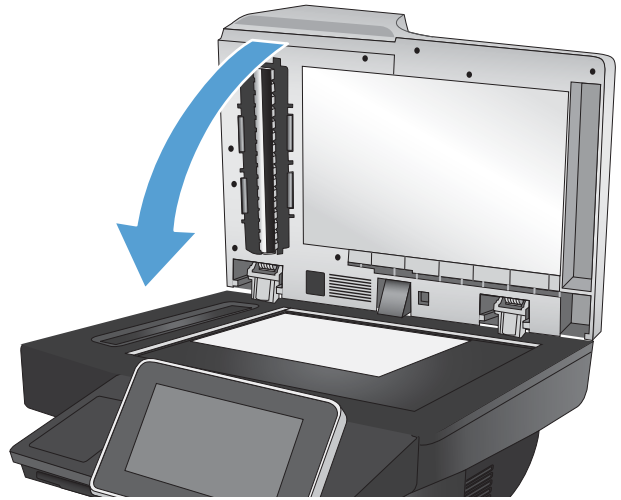
1. Lift the scanner lid.



2. Place the document face-down on the scanner glass with the upper-left corner of the page in the upper-left corner of the glass.



3. Gently close the scanner lid.




4. From the Home screen on the product control panel, touch the **Copy** button.
5. Touch the **Sides** button.
6. To make a two-sided copy from a one-sided original, touch the **1-sided original, 2-sided output** button.

To make a two-sided copy from a two-sided original, touch the **2-sided original, 2-sided output** button.

To make a one-sided copy from a two-sided original, touch the **2-sided original, 1-sided output** button.

Touch the **OK** button.

7. Touch the **Start**  button.
8. The product prompts you to load the next original document. Place it on the glass, and then touch the **Scan** button.
9. The product temporarily saves the scanned images. Touch the **Finish** button to finish printing the copies.