

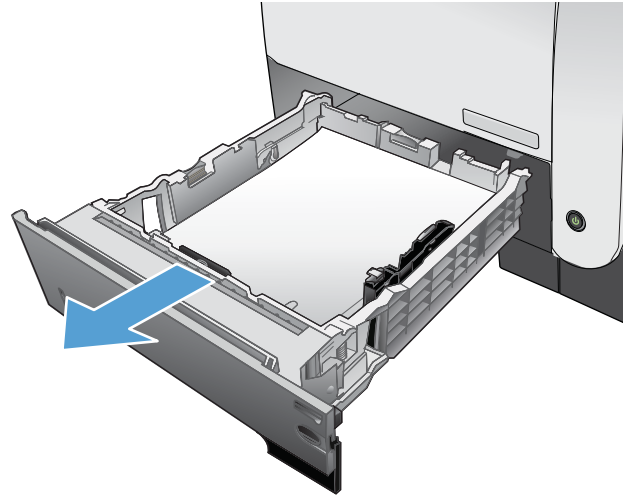


HP LaserJet Enterprise flow MFP M525

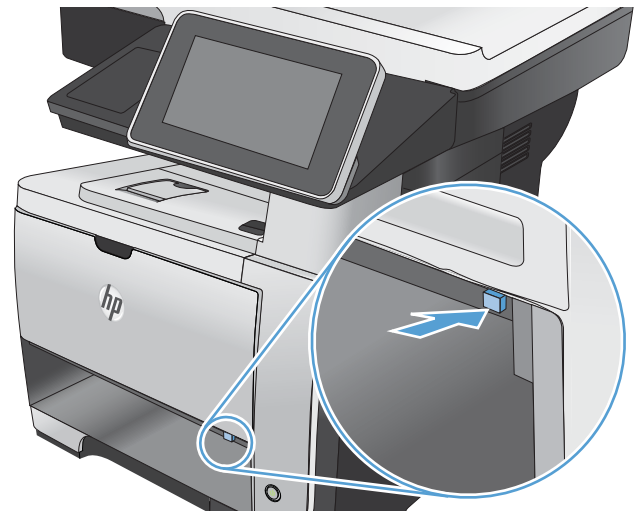


Clear jams in the duplexer

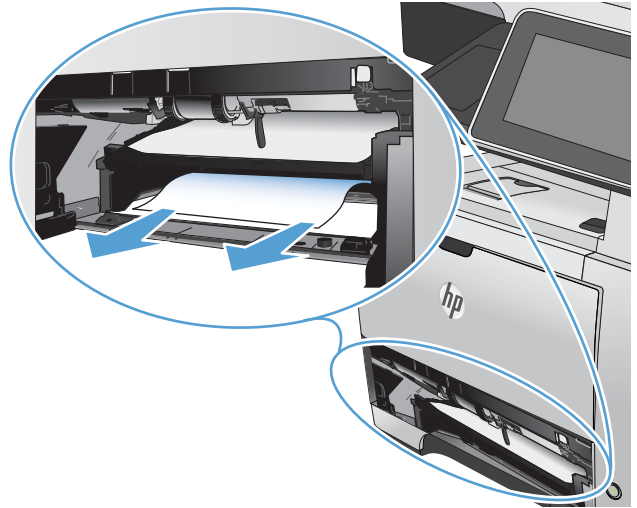
1. Completely remove Tray 2 from the product.



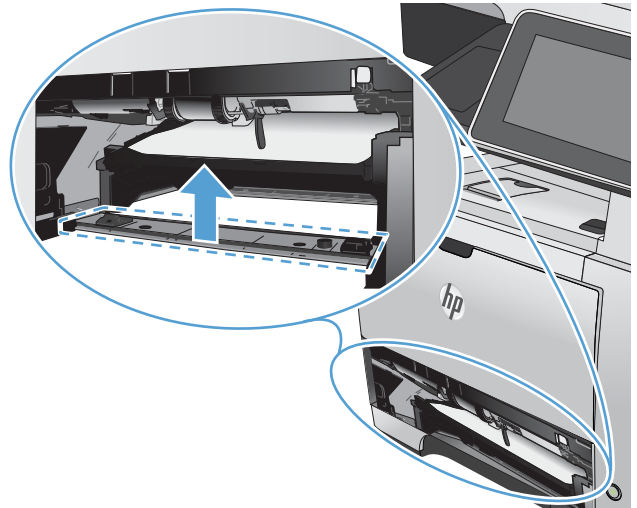
2. Push the green button to release the duplex pan.



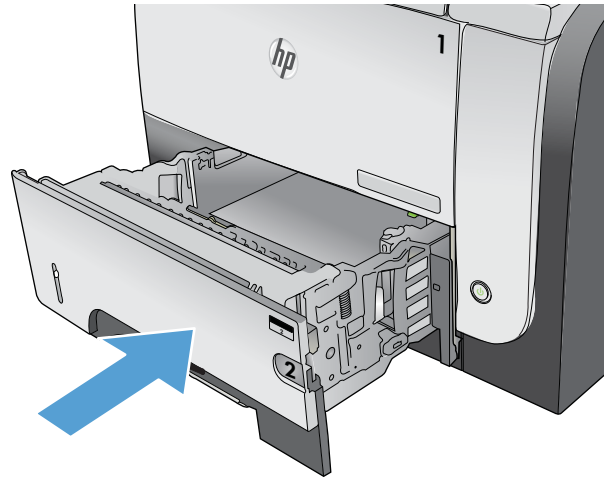
3. Remove any jammed paper.



4. Close the duplex pan.



5. Reinsert Tray 2.



6. Open the rear door, and push down so it is fully opened to a 90° angle.

NOTE: The rear door has two positions. It opens to a 45° angle for the rear output bin and to a 90° angle for clearing jams.



7. Remove any jammed paper.



8. Press the front-door-release button.



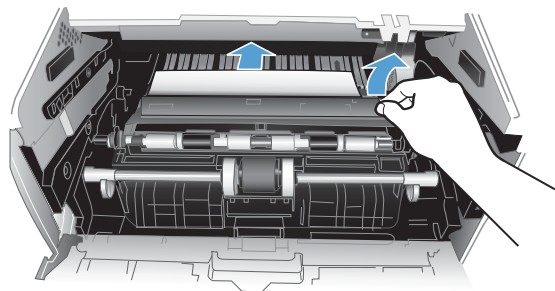
9. Open the front door.



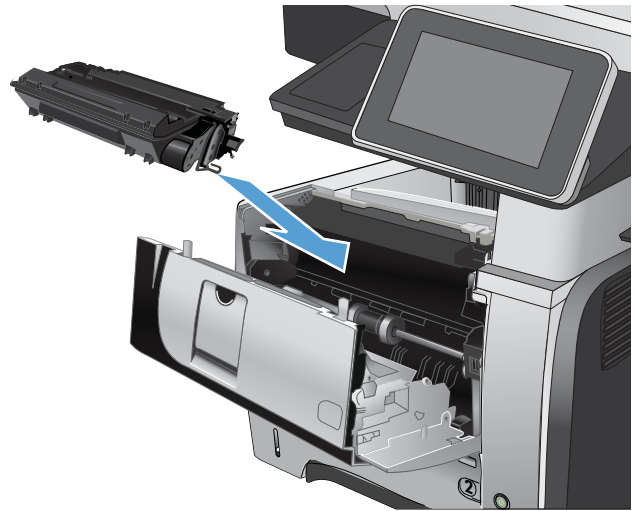
10. Remove the toner cartridge.



11. Lift the jam-access covers and remove any jammed paper.



12. Reinsert the toner cartridge.



13. Close the front door.



14. Close the rear door.

