

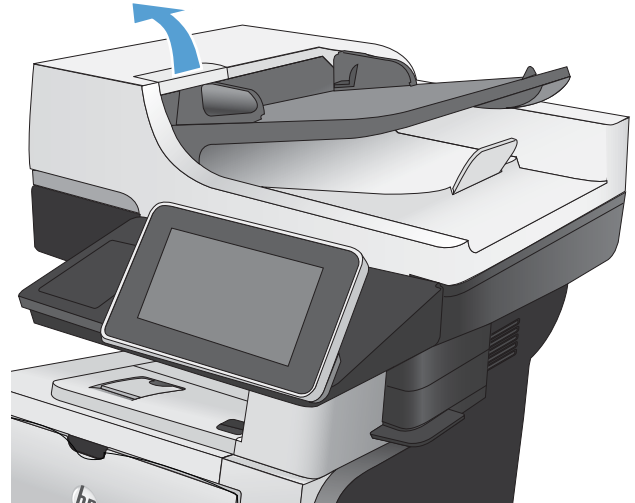


# HP LaserJet Enterprise flow MFP M525

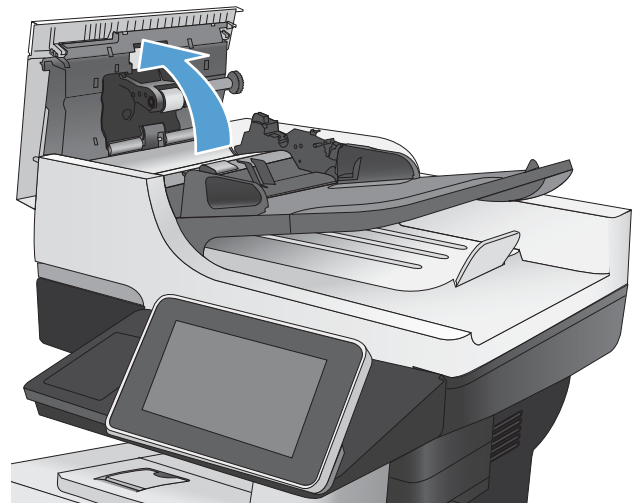


## Clear jams in the document feeder

1. Lift the latch to release the document-feeder cover.

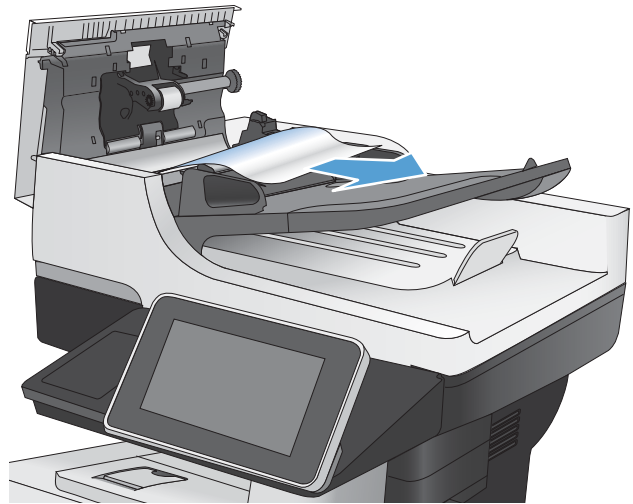


2. Open the document-feeder cover.

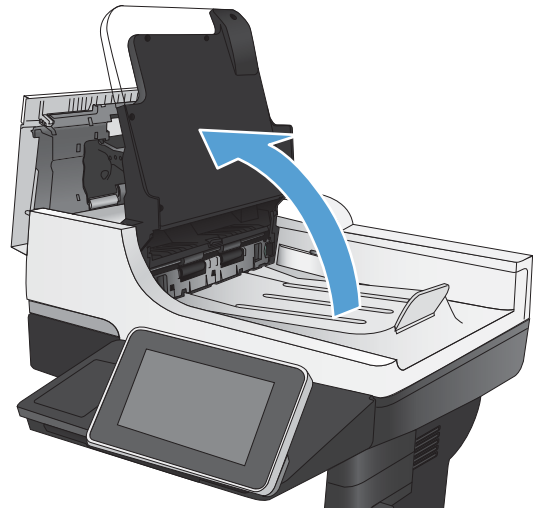


3. Lift the jam-access door, and remove any jammed paper.

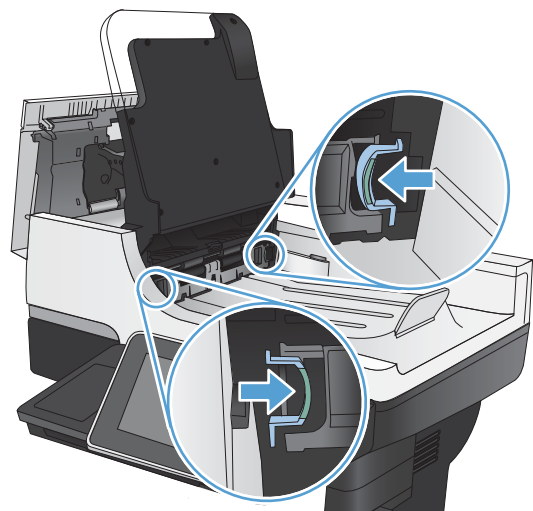
If necessary, rotate the green wheel at the front of the document feeder to remove jammed paper.



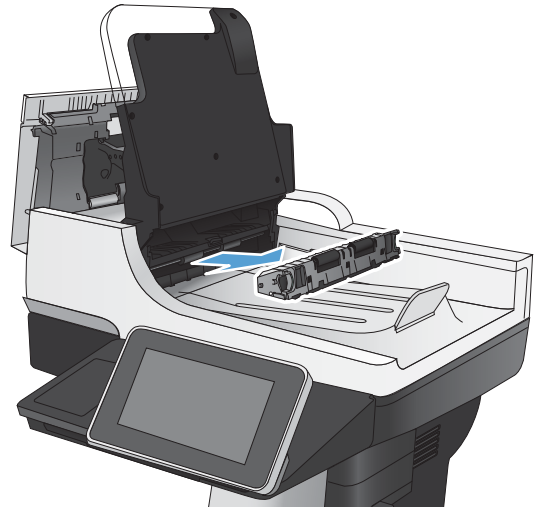
4. Lift the document-feeder input tray.



5. Squeeze inward on the two slots at each end of the e-Duplex assembly.



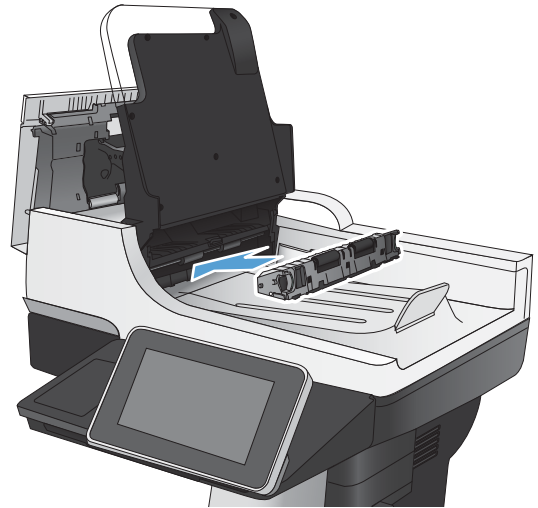
6. Remove the e-Duplex assembly by pulling it out.



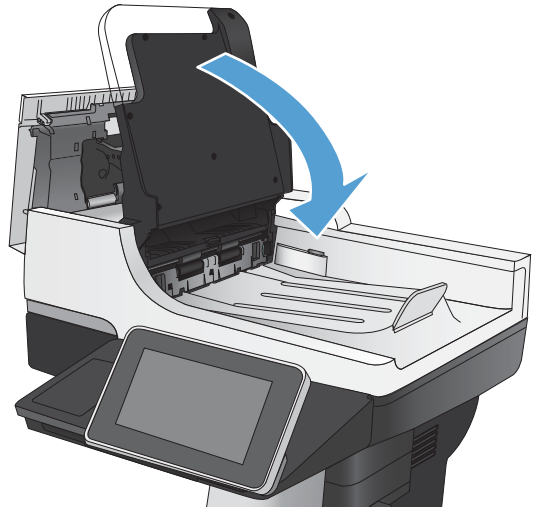
7. Remove any jammed paper.



8. Reinstall the e-Duplex assembly by sliding it in until it locks into place.



9. Lower the document-feeder input tray.



10. Close the document-feeder cover.

