

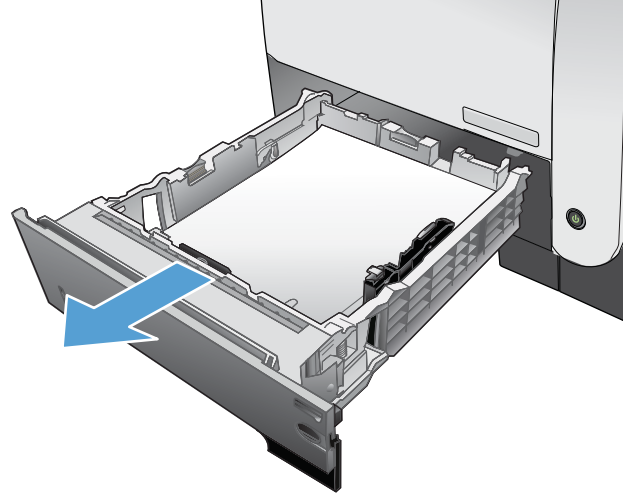


HP LaserJet Enterprise flow MFP M525

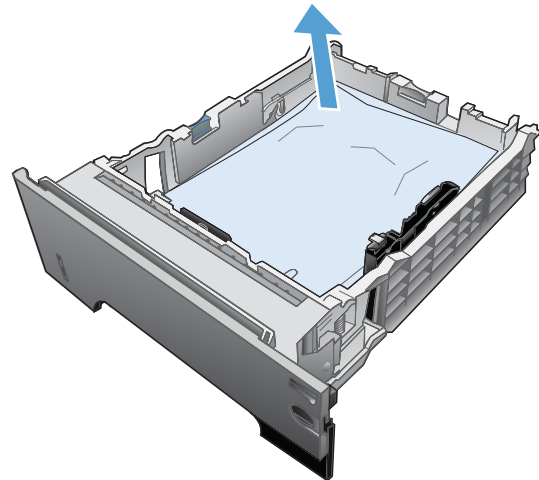


Clear jams in Tray 2 or an optional 500-sheet tray

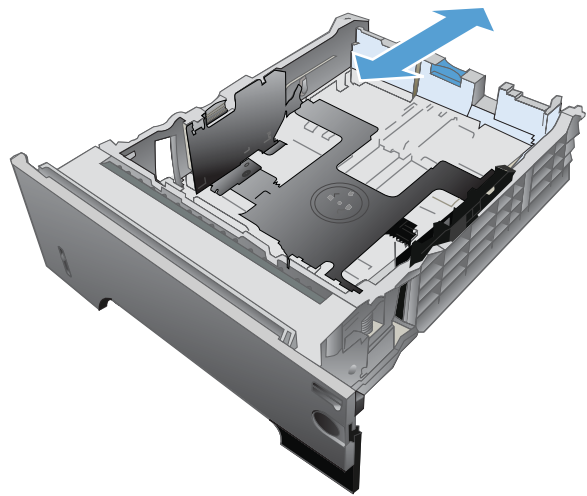
1. Remove the tray from the product.



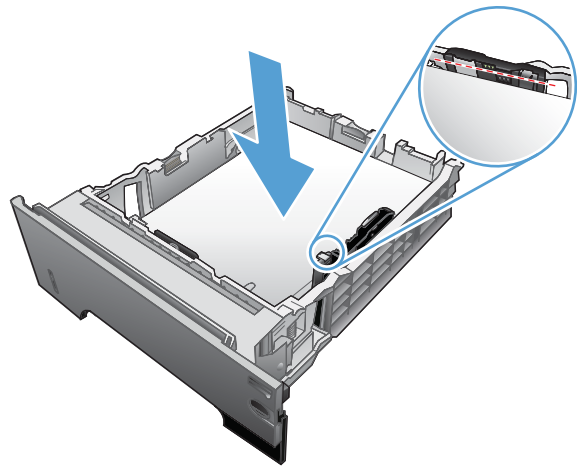
2. Remove the paper from the tray, and discard any damaged paper.



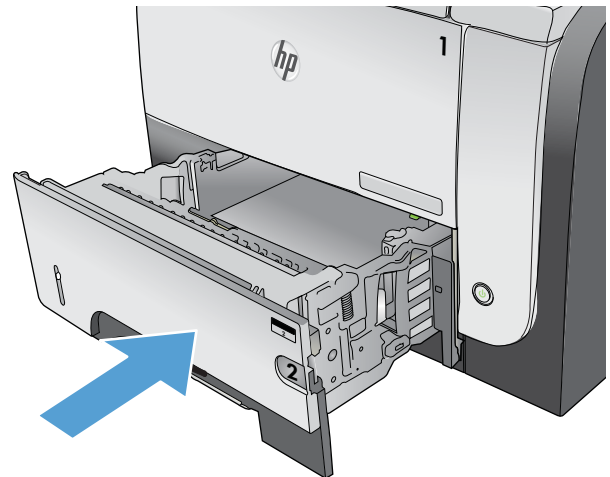
3. Verify that the rear paper guide is adjusted to the indentation for the correct paper size. If necessary, pinch the release and move the rear paper guide to the correct position. It should click into place.



4. Load the paper into the tray. Make sure that the stack is flat at all four corners and that the top of the stack is below the maximum-height indicators.



5. Reinsert and close Tray 2.



6. Press the front-door-release button.



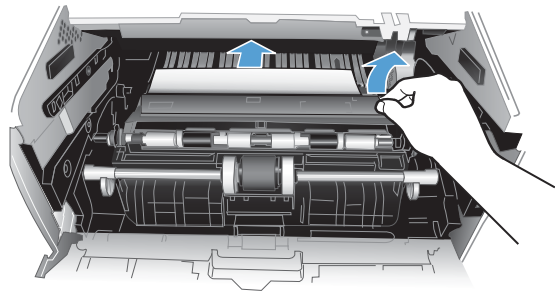
7. Open the front door.



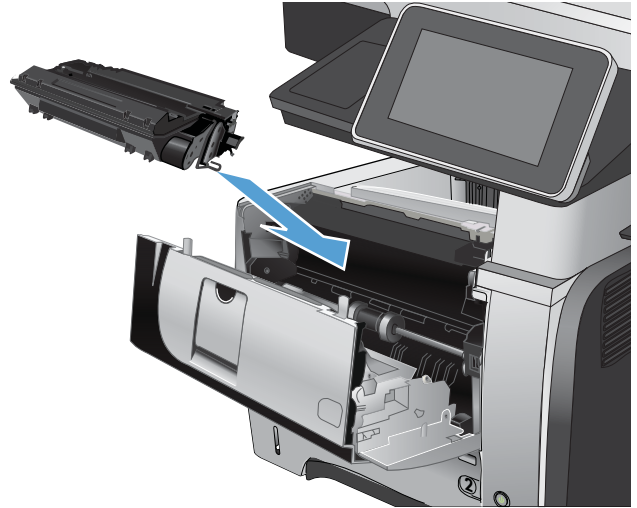
8. Remove the toner cartridge.



9. Lift the jam-access covers and remove any jammed paper.



10. Reinsert the toner cartridge.



11. Close the front door.

