



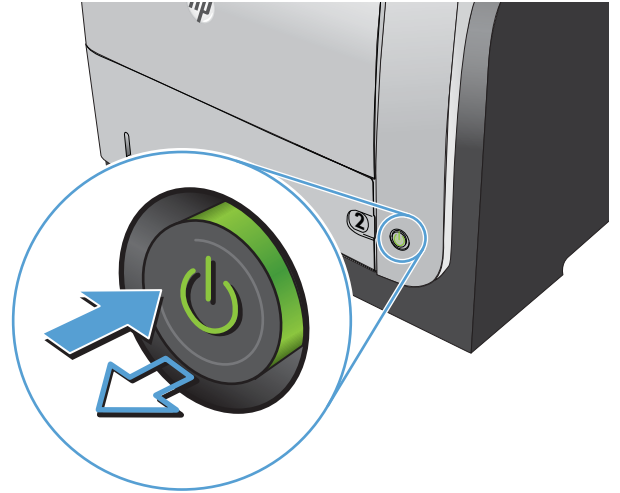
HP LaserJet Enterprise flow MFP M525



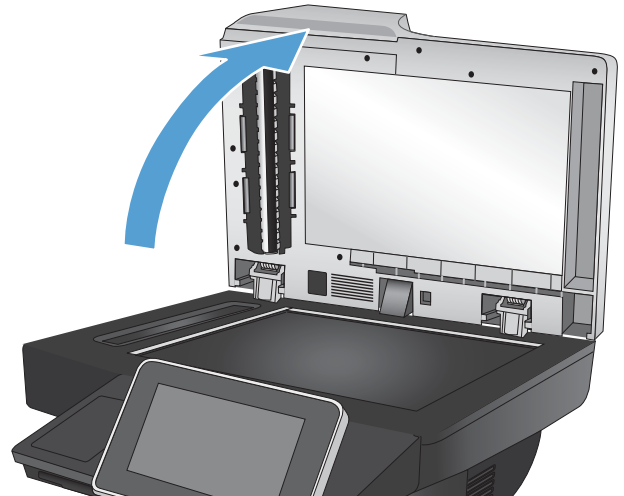
Check the scanner glass for dirt or smudges

Over time, specks of debris might collect on the scanner glass and white plastic backing which can affect performance. Use the following procedure to clean the scanner glass and white plastic backing.

1. Press the power button to turn off the product, and then disconnect the power cable from the electrical outlet.



2. Open the scanner lid. Align paper that has copy defects with the scanner glass to identify the locations of dirt or smudges.



3. Use a soft cloth or sponge that has been moistened with nonabrasive glass cleaner to clean the following areas:
 1. White foam backing under the scanner lid
 2. Main scanner glass
 3. Document-feeder glass (the small strip of glass on the left side of the scanner)

Dry the glass and white foam backing by using a chamois or a cellulose sponge to prevent spotting.

CAUTION: Do not use abrasives, acetone, benzene, ammonia, ethyl alcohol, or carbon tetrachloride on any part of the product; these can damage the product. Do not place liquids directly on the glass or platen. They might seep and damage the product.

NOTE: If you are having trouble with streaks on copies when you are using the document feeder, be sure to clean the small strip of glass on the left side of the scanner.

NOTE: See this English-language video for a demonstration of how to identify and clean debris that causes streaks on copies:
www.youtube.com/watch?v=CGn7FJvH8sE.

4. Connect the power cable to an outlet, and then press the power button to turn on the product.

