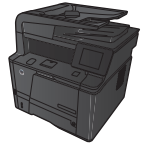


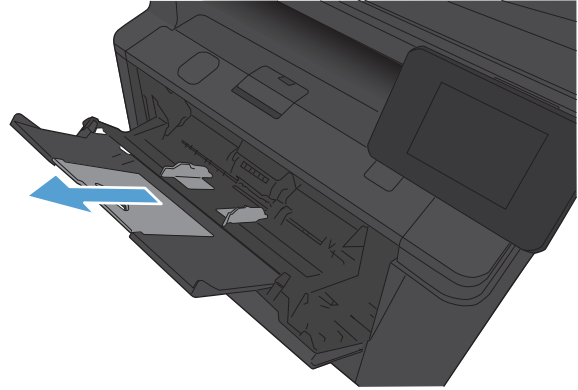


LASERJET PRO 400 MFP M425 SERIES

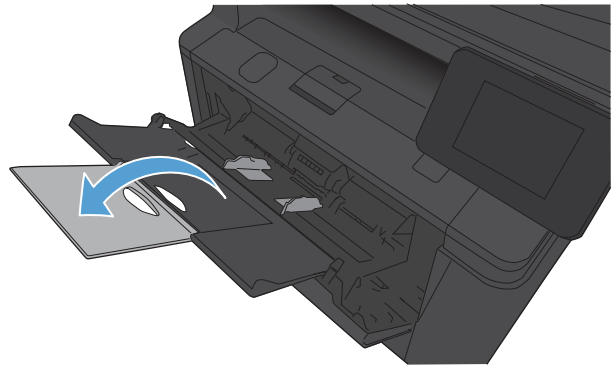


Load Tray 1

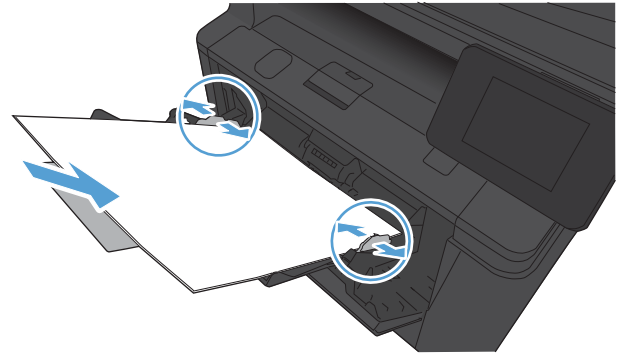
1. Open Tray 1, and pull the tray extension away from the product.



2. For long paper, flip out the extension to help hold the paper in the tray.



3. Place the paper stack into Tray 1, and slide the paper guides so that they are against the sheets.



4. Feed the paper stack into the tray as far as it will go.